

Technical data

# KeContact P30



**KEBA**<sup>®</sup>

Automation by innovation.

# KeContact P30

## Specifications

Output:	7,4 kW / 11 kW / 22 kW
Energy meter (LED display):	Optional
OCPP backend:	Optional
Local load management:	Master/Client
Current monitoring:	Depending on the charging cable sizing
Communication protocol:	UDP / Modbus TCP
External meter (integration through Modbus):	Optional
Color variants:	<ul style="list-style-type: none"><li>• RAL 7004 (signal gray) / RAL 7016 (anthracite gray)</li><li>• RAL 9010 (pure white) / RAL 7016 (anthracite gray)</li><li>• RAL 9005 (jet black) / RAL 7016 (anthracite gray)</li></ul>

## General

Charge mode:	Mode 3 in accordance with IEC 61851-1 AC charging
Overvoltage category:	III in accordance with EN 60664
Protection class:	I
protection type:	IP54
Protection against mechanical impact:	IK10
Rated short-time withstand current:	< 10 kA (effective value in accordance with EN 61439-1)
Residual direct current detecting device (RDC-DD):	> 6 mA (characteristic in accordance with IEC 62955, < 10 s)
Ventilation:	If ventilation is requested by the vehicle, charging will not be started.

## Power supply

### Power consumption a-series, c-series

Rated supply voltage (Europe):	3 x 230 V / 400 V
Internal consumption:	Idling: 3 W, plugged in: 4.5 W, charging: 6.5 W
Rated current (variant-dependent):	10 A / 13 A / 16 A / 20 A / 25 A / 32 A 1-phase or 3-phase
Line frequency:	50 Hz
Mains forms:	TT / TN / IT

### Power consumption x-series

Rated supply voltage (Europe):	3 x 230 V / 400 V
Internal consumption:	Idling: 4 W, plugged in: 5 W, charging: 7 W
Rated current (variant-dependent):	10 A / 13 A / 16 A / 20 A / 25 A / 32 A 1-phase or 3-phase
Line frequency:	50 Hz
Mains forms:	TT / TN / IT

### Supply terminals

Type:	Spring-type terminal
Cable feed:	Top (surface), back side (flush)

## KeContact P30

Connection cross-section of the supply:	Minimum cross-section (depending on the cable and the type of installation)
<ul style="list-style-type: none"> <li>16 A rated current:</li> </ul>	5 x 2.5 mm <sup>2</sup>
<ul style="list-style-type: none"> <li>32 A nominal current:</li> </ul>	5 x 6.0 mm <sup>2</sup>
Cross section (cable):	0.2 – 10 mm <sup>2</sup>
AWG:	24 – 6
Stripping length:	12 mm
Temperature rating:	105 °C

### Socket / cable

Socket variants:	<ul style="list-style-type: none"> <li>Type 2 standard socket: 32 A / 400 V AC in accordance with EN 62196-1 and VDE-AR-E 2623-2-2</li> <li>Type 2 standard socket: 32 A / 400 V AC in accordance with EN 62196-1 and VDE-AR-E 2623-2-2 with Shutter</li> </ul>
Cable versions: (For rating, see type plate on the cable)	<ul style="list-style-type: none"> <li>Type 1 cable: up to 32 A / 230 V AC in accordance with EN 62196-1 and SAE-J1772</li> <li>Type 2 cable: up to 32 A / 400 V AC in accordance with EN 62196-1 and VDE-AR-E 2623-2-2</li> </ul>

### Ambient conditions

Use:	Inside and outside area
Access limitations at set-up location:	Limited and unlimited access
Installation (stationary):	On the wall or on a floor-mounted column.
Operating temperature:	
<ul style="list-style-type: none"> <li>16 A:</li> </ul>	-25 °C to +50 °C (without direct sunlight)
<ul style="list-style-type: none"> <li>32 A:</li> </ul>	-25 °C to +40 °C (without direct sunlight)
Storage temperature:	-25 °C to +80 °C
Relative air humidity:	5 % to 95 % (non condensing)
Altitude:	max. 2000 m above sea level
Rate of temperature change:	max. 0.5 °C / min
Temperature behavior:	Automatic power reduction if overheating occurs

### Interfaces

#### Ethernet interface

Ethernet1:	LSA+ <sup>®</sup> terminals
Data transfer rate:	10/100 Mbit/s
Ethernet2:	RJ45 (for debug)

#### USB interface

Type:	A, USB 2.0 (Hi-Speed)
Max. output power:	500 mA

#### Enable input

Type:	External, potential-free switch contact
Type of terminal:	Spring-type terminal
Cross section:	0.08 – 4 mm <sup>2</sup>

## KeContact P30

AWG: 28 – 12

Stripping length: 8 mm

### Switch contact output

Type: External safety extra-low voltage, < 50 V AC (50/60 Hz), ≤ 24 V DC

Required current limitation: < 0.5 A

Terminal type: Spring-type terminal

Cross section: 0.08 – 4 mm<sup>2</sup>

AWG: 28 – 12

Stripping length: 8 mm

## Optional equipment

### 4G/LTE mobile network communication

Supported bands: 4G with fallback to 3G/2G

- LTE (4G)  
Bands: 1, 3, 8, 20, 28
- UMTS/HSPA+ (3G)  
Bands: 1, 8
- GSM/GPRS/Edge (2G)  
Dual-band

Max. data rate: LTE CAT 1  
Download: 10.2 Mbps\*  
Upload: 5.2 Mbps\*  
\*Depends on external influences

SIM card: SIM card with 4G authentication  
Size: Mini-Sim (2FF)  
Type: Industrial/M2M recommended

### RFID card

Type: MIFARE card / tag according to ISO 14443 or ISO 15693

### ISO 15118 communication (HW Ready)

Type: Powerline communication (PLC) modem according to ISO 15118  
(Available later with software update)

### WLAN / Wifi

Type: IEEE 802.11 b,g,n, 2.4 GHz

Supported modes: AP Ad-hoc-Mode, Client Mode

## Certifications\*

MID: Optional

• Accuracy class: Class B (according to EN 50470-1 / -3)

National regulations: Optional: National authorization



VDE certificate number: 40056384

# KeContact P30

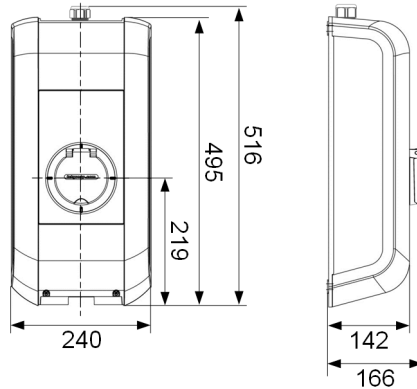
\* Information about the certifications can be downloaded from the KEBA website:  
[www.keba.com/emobility-downloads](http://www.keba.com/emobility-downloads)

## Dimensions and weight

### Version with standard socket (Type 2)

Height / Width / Depth: 516 mm / 240 mm / 166 mm

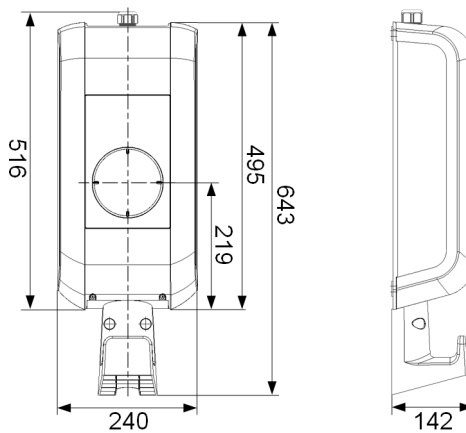
Weight: Approx. 4.8 - 5 kg (depending on device version)



### Version with charging cable and holder

Height / Width / Depth: 643 mm / 240 mm / 142 mm

Weight: Approx. 5.3 - 7.8 kg (depending on device version)



## Note

This data sheet lists various design options for the charging station. The actual design of the charging station depends on the variant.