




## SMA Home Storage

HS-BM-3.28-10

ENGLISH	Quick Reference Guide .....	3
DEUTSCH	Schnelleinstieg .....	14
DANSK	Kort vejledning .....	26
ESPAÑOL	Instrucciones breves .....	37
FRANÇAIS	Notice résumée .....	49
MAGYAR	Gyors útmutató .....	61
ITALIANO	Guida rapida .....	73
NEDERLANDS	Beknopte handleiding .....	84
POLSKI	Skrócona instrukcja .....	95
PORTUGUÊS	Instruções sumárias .....	108
ROMÂNĂ	Instrucțiuni pe scurt .....	119
SVENSKA	Snabbanvisning .....	130
	Instructions .....	141

## Legal Provisions

The information contained in these documents is the property of SMA Solar Technology AG. No part of this document may be reproduced, stored in a retrieval system, or transmitted, in any form or by any means, be it electronic, mechanical, photographic, magnetic or otherwise, without the prior written permission of SMA Solar Technology AG. Internal reproduction used solely for the purpose of product evaluation or other proper use is allowed and does not require prior approval.

SMA Solar Technology AG makes no representations or warranties, express or implied, with respect to this documentation or any of the equipment and/or software it may describe, including (with no limitation) any implied warranties of utility, merchantability, or fitness for any particular purpose. All such representations or warranties are expressly disclaimed. Neither SMA Solar Technology AG nor its distributors or dealers shall be liable for any indirect, incidental, or consequential damages under any circumstances.

The exclusion of implied warranties may not apply in all cases under some statutes, and thus the above exclusion may not apply.

Specifications are subject to change without notice. Every attempt has been made to make this document complete, accurate and up-to-date. Readers are cautioned, however, that product improvements and field usage experience may cause SMA Solar Technology AG to make changes to these specifications without advance notice or per contract provisions. SMA Solar Technology AG shall not be responsible for any damages, including indirect, incidental or consequential damages, caused by reliance on the material presented, including, but not limited to, omissions, typographical errors, arithmetical errors or listing errors in the content material.

### SMA Warranty

You can download the current warranty conditions from the Internet at [www.SMA-Solar.com](http://www.SMA-Solar.com).

### Trademarks

All trademarks are recognized, even if not explicitly identified as such. Missing designations do not mean that a product or brand is not a registered trademark.

### SMA Solar Technology AG

Sonnenallee 1

34266 Niestetal

Germany

Phone +49 561 9522-0

Fax +49 561 9522-100

[www.SMA.de](http://www.SMA.de)

E-mail: [info@SMA.de](mailto:info@SMA.de)

Status: 2/15/2024

Copyright © 2023 SMA Solar Technology AG. All rights reserved.

# 1 Information on this Document

## 1.1 Validity

This document is valid for:

- HS-BM-3.28-10 (SMA Home Storage 3.2)

## 1.2 Target Group

The tasks described in this document must only be performed by qualified persons. Qualified persons must have the following skills:

- Knowledge of how an inverter works and is operated
- Knowledge of how batteries work and are operated
- Training to deal with risks associated with installing, repairing, and using electrical devices, inverters, and batteries
- Training in the installation and commissioning of electrical devices and installations
- Knowledge of all applicable laws, regulations, standards, and directives
- Knowledge of and compliance with this document and all safety information

## 1.3 Content and Structure of this Document

This document contains safety information as well as graphical instructions on installing and commissioning (see page 141). Observe all information and carry out the actions illustrated graphically in this document in the specified order.

The latest version of this document and the comprehensive manual for installation, commissioning, configuration and decommissioning are to be found in PDF format at [www.SMA-Solar.com](http://www.SMA-Solar.com).

Illustrations in this document are reduced to the essential information and may deviate from the real product.

## 1.4 Levels of Warning Messages

The following levels of warning messages may occur when handling the product.

### DANGER

Indicates a hazardous situation which, if not avoided, will result in death or serious injury.

### WARNING

Indicates a hazardous situation which, if not avoided, could result in death or serious injury.



### CAUTION

Indicates a hazardous situation which, if not avoided, could result in minor or moderate injury.

### NOTICE

Indicates a situation which, if not avoided, can result in property damage.

## 1.5 Symbols in the Document

Icon	Explanation
	Information that is important for a specific topic or goal, but is not safety-relevant
	Section in which the installation and commissioning process is illustrated graphically.

## 2 Safety

### 2.1 Intended Use

SMA Home Storage is a system from one or several battery modules and can be used in the SMA Home Storage Solution for home applications, including for increased self-consumption.

The communication interface of the inverter used must be compatible with the product. The entire voltage range must be completely within the permissible input voltage range of the inverter. The maximum permissible DC input voltage of the product must not be exceeded.

No additional loads or components in the DC connection may be connected between the battery and inverter.

The product is suitable for indoor and outdoor use.

The product must only be used as stationary equipment.

All components must remain within their permitted operating ranges and their installation requirements at all times.

The product is not suitable for supplying life-sustaining medical devices. A power outage must not lead to personal injury.

The product must only be used in countries for which it is approved or released by SMA Solar Technology AG and the grid operator.

The products by SMA Solar Technology AG are not suitable for use in

- Medical devices, in particular products for supplying life-support systems and machines,
- Aircraft, the operation of aircraft, the supply of critical airport infrastructure and airport systems,
- Rail vehicles, the operation and supply of rail vehicles and their critical infrastructure.

The above list is not exhaustive. Contact us if you are unsure whether products by SMA Solar Technology AG are suitable for your application.

Use SMA products only in accordance with the information provided in the enclosed documentation and with the locally applicable laws, regulations, standards and directives. Any other application may cause personal injury or property damage.

Alterations to the SMA products, e.g., changes or modifications, are only permitted with the express written permission of SMA Solar Technology AG. Unauthorized alterations will void guarantee and warranty claims and in most cases terminate the operating license. SMA Solar Technology AG shall not be held liable for any damage caused by such changes.

Any use of the product other than that described in the Intended Use section does not qualify as the intended use

The enclosed documentation is an integral part of this product. Keep the documentation in a convenient, dry place for future reference and observe all instructions contained therein.

This document does not replace any regional, state, provincial, federal or national laws, regulations or standards that apply to the installation, electrical safety and use of the product. SMA Solar Technology AG assumes no responsibility for the compliance or non-compliance with such laws or codes in connection with the installation of the product.

The type label must remain permanently attached to the product.

## 2.2 Important Safety Information

Keep the manual for future reference.

This section contains safety information that must be observed at all times when working.

The product has been designed and tested in accordance with international safety requirements. As with all electrical or electronical devices, some residual risks remain despite careful construction. To prevent personal injury and property damage and to ensure long-term operation of the product, read this section carefully and observe all safety information at all times.

### DANGER

#### **Danger to life due to electric shock when live components or DC cables are touched**

The DC cables connected to a battery may be live. Touching live DC cables results in death or serious injury due to electric shock.

- Disconnect the product and inverter from voltage sources and make sure they cannot be reconnected before working on the device.
- Do not touch non-insulated parts or cables.
- Do not disconnect the DC connectors under load.
- Wear suitable personal protective equipment for all work on the product.

### DANGER

#### **Danger to life due to electric shock when touching live enclosure parts with damaged grounding conductor**

High voltages may be applied to the enclosure of the product if the grounding conductor of the DC connection is damaged or has not been connected correctly. Touching live enclosure parts results in death or lethal injuries due to electric shock.

- Connect the grounding conductor for the DC connection as described in this document.

**⚠ DANGER****Danger to life due to fire or explosion due to improper handling of the battery modules**

Improper handling can cause the lithium inside the battery to ignite. This can cause a fire or explosion. Death or lethal injuries due to hot or flying debris can result.

- Never use defective or damaged battery modules.
- Do not open, pierce, or drop battery modules.
- Do not install or operate the battery modules in potentially explosive atmospheres or areas of high humidity.
- Do not expose the battery modules to high temperatures.
- Never throw the battery modules on a fire.
- Store the battery modules dry and within the specified temperature range.
- If a fire starts from the battery, contact the fire department. Extinguishing is a high risk due to toxic gases, risk of explosion and rapid spread.
- If a fire breaks out in the vicinity of the battery, use an ABC fire extinguisher.

**⚠ DANGER****Danger to life due to electric shock when touching live system components in case of a ground fault**

If a ground fault occurs, parts of the system may still be live. Touching live parts and cables results in death or lethal injuries due to electric shock.

- Disconnect the product and inverter from voltage sources and make sure they cannot be reconnected before working on the device.
- Do not touch any parts of the substructure.

**⚠ DANGER****Danger to life due to electric shock when live components are touched on opening the product**

High voltages are present in the live parts and cables inside the product during operation. Touching live parts and cables results in death or lethal injuries due to electric shock.

- Do not open the product.

**⚠ WARNING****Danger to life due to electric shock from destruction of the measuring device due to overvoltage**

Overvoltage can damage a measuring device and result in voltage being present in the enclosure of the measuring device. Touching the live enclosure of the measuring device results in death or lethal injuries due to electric shock.

- Only use measuring devices with a DC input voltage range of 1500 V or higher.

**⚠ WARNING****Danger to life due to burns caused by electric arcs through short-circuit currents**

Short-circuit currents in the battery can cause heat build-up and electric arcs. Heat build-up and electric arcs may result in lethal injuries due to burns.

- Disconnect the battery from all voltages sources prior to performing any work on the battery.
- Remove watches, rings and other metal objects prior to carrying out any work on the battery.
- Use insulated tools and wear insulated gloves for all work on the battery.
- Do not place tools or metal parts on the battery.

**⚠ WARNING****Danger to life due to fire or explosion when batteries are fully discharged**

A fire may occur due to incorrect charging of fully discharged batteries. This can result in death or serious injury.

- Put the battery into operation no longer than six months after delivery.
- If the battery is not put into operation within six months, contact Service to request reconditioning of the battery-storage system.
- Before commissioning the system, verify that the battery is not fully discharged.
- Do not commission the system if the battery is fully discharged.
- If the battery is fully discharged, contact Service.

**⚠ WARNING****Risk of injury due to toxic substances, gases and dusts.**

In rare cases, damages to electronic components can result in the formation of toxic substances, gases or dusts inside the product. Touching toxic substances and inhaling toxic gases and dusts can cause skin irritation, burns or poisoning, trouble breathing and nausea.

- Protect the battery enclosure against destruction.
- Do not open or deform the battery.
- Do not throw batteries into fire. Batteries may explode in fire.
- Only perform work on the battery (e.g., troubleshooting, repair work) when wearing personal protective equipment for handling of hazardous substances (e.g., safety gloves, eye and face protection, respiratory protection).
- Rinse acid splashes thoroughly for a long time with clear water, and consult a doctor.
- If acid fumes have been inhaled, consult a doctor immediately.
- Ensure that unauthorized persons have no access to the product.
- Install, operate, maintain and dispose of the battery according to the manufacturer's specifications.



**⚠ WARNING****Risk of injury due to weight of product**

Injuries may result if the battery modules are lifted incorrectly or dropped while being transported or mounted.

- Transport and lift the product carefully. Take the weight of the product into account.
- Transport the product individually only.
- Always have several persons transport and mount the product. The number of persons depends on the locally applicable standards and directives.
- Use suitable means of transport, e.g. a dolly. Do not damage the enclosure of the battery components.
- Wear suitable personal protective equipment, at a minimum safety footwear with a non-slip sole and steel cap, for all work on the product.

**⚠ CAUTION****Risk of burns due to hot battery modules**

The battery module can get hot during operation. Touching hot battery modules can cause burns.

- Before touching the battery modules, wait until the battery modules have cooled down.

**⚠ CAUTION****Risk of injury due to sharp edges**

The battery components contain sheet metal parts with sharp edges. Touching the sharp-edged sheet metal parts may result in injuries.

- Wear safety gloves for mounting and disassembling the battery.

**NOTICE****Damage to the battery modules due to moisture or corrosive substances**

Moisture or corrosive substance penetration can damage the product and impair its functionality.

- Do not immerse battery modules in liquid.
- Do not expose battery cells to corrosive substances (e.g., ammonia, salt).

**NOTICE****Damage to the product due to cleaning agents**

The use of cleaning agents may cause damage to the product and its components.









- Clean all battery components with a dry cloth only.







### 3 Additionally required material (not included in the scope of delivery)

#### **i** Battery data cable for the connection between the SMA Home Storage and Sunny Tripower Smart Energy

For the connection between the SMA Home Storage and Sunny Tripower Smart Energy, a pre-assembled battery communication cable must be used (SMA order number: HS-COM-CBL-3-10). This battery data cable has an RJ45 and a COM connector.

### 4 Symbols on the Product

Symbol	Explanation
	Beware of a danger zone This symbol indicates that the product must be additionally grounded if additional grounding or equipotential bonding is required at the installation site.
	Beware of electrical voltage The product operates at high voltages.
	Warning of hazards from batteries This symbol indicates the danger of handling batteries.
	Potentially explosive substances warning Improper handling or fire can cause the product to ignite or explode.
	Corrosive substances warning The product contains corrosive substances that can cause severe injury if they come into direct contact with the skin.
	Observe the documentations Observe all documentations supplied with the product.
	Use eye protection Wear eye protection for all work on the device.
	No open flame Handling an open flame and sources of ignition is forbidden in the immediate vicinity of the product.

Symbol	Explanation
	Access is prohibited for all children Children must be kept at a safe distance from the product.
	Grounding This symbol indicates the position for the connection of an additional grounding conductor.
	WEEE designation Do not dispose of the product together with the household waste but in accordance with the disposal regulations for electronic waste applicable at the installation site.
	The product is suitable for outdoor installation.
<b>IP65</b>	Degree of protection IP65 The product is protected against the penetration of dust and water that is directed as a jet against the enclosure from all directions.
<b>CE</b>	CE marking The product complies with the requirements of the applicable EU directives.
<b>UK CA</b>	UKCA marking The product complies with the regulations of the applicable laws of England, Wales and Scotland.
	RoHS labeling The product complies with the requirements of the applicable EU directives.
	RCM (Regulatory Compliance Mark) The product complies with the requirements of the applicable Australian standards.

## 5 Transport

This section contains safety information that must be observed at all times when transporting the battery.

### CAUTION

#### Risk of injury due to inappropriate transport

Inappropriate transport or insufficient use of transport securing devices can cause the battery to slip or tip over. The battery can cause injuries if it slips or tips over.

- Transport and lift the battery carefully. Take the weight of the battery into account.
- Position the battery in the vehicle in such a way as to prevent it from slipping.
- Secure the battery against slipping and tipping over with restraining straps, for example.
- Wear suitable personal protective equipment for all work on the battery.

The SMA Home Storage (HS-BM-3.28-10) is classified as dangerous goods: UN 3480 lithium-ion battery, class 9 (dangerous goods designation UN 3480, dangerous goods class 9). The safety information of the battery must be observed (see Technical information "SMA HOME STORAGE - Safety Information" at [www.SMA-Solar.com](http://www.SMA-Solar.com)).

All requirements of the Dangerous Goods Ordinance on Road, Rail, and Inland Navigation and the Convention on the International Carriage of Dangerous Goods by Road must always be complied with:

- Only trained and instructed personnel are allowed to transport the battery modules on public roads.
- The instructions must be documented and repeated.
- Smoking is not permitted in the vehicle during the journey.
- Smoking is not permitted in the vehicle itself or in the immediate vicinity during loading and unloading.
- The outer packaging of the battery module must not be opened during transport.
- During transportation, 1 dangerous goods equipment in accordance with ADR and 2 tested metal fire extinguishers must be included. The fire extinguishers must correspond to fire class D (minimum capacity 2 kg).

## 6 EU Declaration of Conformity

within the scope of the EU directives

- Electromagnetic compatibility 2014/30/EU (29.3.2014 L 96/79-106) (EMC)
- Low Voltage Directive 2014/35/EU (29.3.2014 L 96/357-374) (LVD)
- Restriction of the use of certain hazardous substances 2011/65/EU (L 174/88, June 8, 2011) and 2015/863/EU (L 137/10, March 31, 2015) (RoHS)



SMA Solar Technology AG confirms herewith that the products described in this document are in compliance with the fundamental requirements and other relevant provisions of the aforementioned directives. More information on the availability of the entire declaration of conformity can be found at <https://www.sma.de/en/ce-ukca>.

## 7 UK Declaration of Conformity

according to the regulations of England, Wales and Scotland

- Electromagnetic Compatibility Regulations 2016 (SI 2016/1091)
- Electrical Equipment (Safety) Regulations 2016 (SI 2016/1101)
- The Restriction of the Use of Certain Hazardous Substances in Electrical and Electronic Equipment Regulations 2012 (SI 2012/3032)



SMA Solar Technology AG confirms herewith that the products described in this document are in compliance with the fundamental requirements and other relevant provisions of the above-mentioned regulations. More information on the availability of the entire declaration of conformity can be found at <https://www.sma.de/en/ce-ukca>.

### **SMA Solar UK Ltd.**

Countrywide House  
23 West Bar, Banbury  
Oxfordshire, OX16 9SA  
United Kingdom

## Rechtliche Bestimmungen

Die in diesen Unterlagen enthaltenen Informationen sind Eigentum der SMA Solar Technology AG. Kein Teil dieses Dokuments darf vervielfältigt, in einem Datenabrufsystem gespeichert oder in einer anderen Art und Weise (elektronisch, mechanisch durch Fotokopie oder Aufzeichnung) ohne die vorherige schriftliche Genehmigung von SMA Solar Technology AG übertragen werden. Eine innerbetriebliche Vervielfältigung, die zur Evaluierung des Produktes oder zum sachgemäßen Einsatz bestimmt ist, ist erlaubt und nicht genehmigungspflichtig.

SMA Solar Technology AG gewährt keine Zusicherungen oder Garantien, ausdrücklich oder stillschweigend, bezüglich jeglicher Dokumentation oder darin beschriebener Software und Zubehör. Dazu gehören unter anderem (aber ohne Beschränkung darauf) implizite Gewährleistung der Marktfähigkeit und Eignung für einen bestimmten Zweck. Allen diesbezüglichen Zusicherungen oder Garantien wird hiermit ausdrücklich widersprochen. SMA Solar Technology AG und deren Fachhändler haften unter keinen Umständen für etwaige direkte oder indirekte, zufällige Folgeverluste oder Schäden.

Der oben genannte Ausschluss von impliziten Gewährleistungen kann nicht in allen Fällen angewendet werden.

Änderungen an Spezifikationen bleiben vorbehalten. Es wurden alle Anstrengungen unternommen, dieses Dokument mit größter Sorgfalt zu erstellen und auf dem neusten Stand zu halten. Leser werden jedoch ausdrücklich darauf hingewiesen, dass sich SMA Solar Technology AG das Recht vorbehält, ohne Vorankündigung bzw. gemäß den entsprechenden Bestimmungen des bestehenden Liefervertrags Änderungen an diesen Spezifikationen durchzuführen, die sie im Hinblick auf Produktverbesserungen und Nutzungserfahrungen für angemessen hält. SMA Solar Technology AG übernimmt keine Haftung für etwaige indirekte, zufällige oder Folgeverluste oder Schäden, die durch das Vertrauen auf das vorliegende Material entstanden sind, unter anderem durch Weglassen von Informationen, Tippfehler, Rechenfehler oder Fehler in der Struktur des vorliegenden Dokuments.

### SMA Garantie

Die aktuellen Garantiebedingungen können Sie im Internet unter [www.SMA-Solar.com](http://www.SMA-Solar.com) herunterladen.

### Warenzeichen

Alle Warenzeichen werden anerkannt, auch wenn diese nicht gesondert gekennzeichnet sind. Fehlende Kennzeichnung bedeutet nicht, eine Ware oder ein Zeichen seien frei.

### SMA Solar Technology AG

Sonnenallee 1

34266 Niestetal

Deutschland

Tel. +49 561 9522-0

Fax +49 561 9522-100

[www.SMA.de](http://www.SMA.de)

E-Mail: [info@SMA.de](mailto:info@SMA.de)

Stand: 15.02.2024

Copyright © 2023 SMA Solar Technology AG. Alle Rechte vorbehalten.

# 1 Hinweise zu diesem Dokument

## 1.1 Gültigkeitsbereich

Dieses Dokument gilt für:

- HS-BM-3.28-10 (SMA Home Storage 3.2)

## 1.2 Zielgruppe

Die in diesem Dokument beschriebenen Tätigkeiten dürfen nur Fachkräfte durchführen. Fachkräfte müssen über folgende Qualifikation verfügen:

- Kenntnis über Funktionsweise und Betrieb eines Wechselrichters
- Kenntnis über Funktionsweise und Betrieb von Batterien
- Schulung im Umgang mit Gefahren und Risiken bei der Installation, Reparatur und Bedienung elektrischer Geräte, Batterien und Anlagen
- Ausbildung für die Installation und Inbetriebnahme von elektrischen Geräten und Anlagen
- Kenntnis der einschlägigen Gesetze, Verordnungen, Normen und Richtlinien
- Kenntnis und Beachtung dieses Dokuments mit allen Sicherheitshinweisen

## 1.3 Inhalt und Struktur des Dokuments

Dieses Dokument enthält sicherheitsrelevante Informationen sowie eine grafische Anleitung für Installation und Inbetriebnahme (siehe Seite 141). Beachten Sie alle Informationen und führen Sie die grafisch dargestellten Handlungen in der vorgegebenen Reihenfolge aus.

Die aktuelle Version dieses Dokuments sowie die ausführliche Anleitung für die Installation, Inbetriebnahme, Konfiguration und Außerbetriebnahme finden Sie im PDF-Format unter [www.SMA-Solar.com](http://www.SMA-Solar.com).

Abbildungen in diesem Dokument sind auf die wesentlichen Details reduziert und können vom realen Produkt abweichen.

## 1.4 Warnhinweistufen

Die folgenden Warnhinweistufen können im Umgang mit dem Produkt auftreten.

### GEFÄHR

Kennzeichnet einen Warnhinweis, dessen Nichtbeachtung unmittelbar zum Tod oder zu schweren Verletzungen führt.

### WARNUNG

Kennzeichnet einen Warnhinweis, dessen Nichtbeachtung zum Tod oder zu schweren Verletzungen führen kann.



**! VORSICHT**

Kennzeichnet einen Warnhinweis, dessen Nichtbeachtung zu leichten oder mittleren Verletzungen führen kann.

**ACHTUNG**

Kennzeichnet einen Warnhinweis, dessen Nichtbeachtung zu Sachschäden führen kann.

## 1.5 Symbole im Dokument

Symbol	Erklärung
	Information, die für ein bestimmtes Thema oder Ziel wichtig, aber nicht sicherheitsrelevant ist
	Kapitel, in dem die Installation und Inbetriebnahme grafisch dargestellt ist

## 2 Sicherheit

### 2.1 Bestimmungsgemäße Verwendung

SMA Home Storage ist ein System aus ein oder mehreren Batteriemodulen und kann in der SMA Home Storage Solution für Heimanwendungen, z. B. zur Eigenverbrauchsoptimierung, eingesetzt werden.

Die Kommunikationsschnittstelle des eingesetzten Wechselrichters muss kompatibel zum Produkt sein. Der gesamte Spannungsbereich muss vollständig innerhalb des zulässigen Eingangsspannungsbereichs des Wechselrichters liegen. Die maximal zulässige DC-Eingangsspannung des Produkts darf nicht überschritten werden.

Es dürfen keine zusätzlichen Verbraucher oder Komponenten in der DC-Verbindung zwischen Batterie und Wechselrichter vorgesehen werden.

Das Produkt ist für den Einsatz im Außenbereich und Innenbereich geeignet.

Das Produkt darf ausschließlich als ortsfestes Betriebsmittel eingesetzt werden.

Der erlaubte Betriebsbereich und die Installationsanforderungen aller Komponenten müssen jederzeit eingehalten werden.

Das Produkt ist nicht für die Versorgung von lebenserhaltenden medizinischen Geräten geeignet. Ein Stromausfall darf zu keinem Personenschaden führen.

Das Produkt darf nur in Ländern eingesetzt werden, für die es zugelassen oder für die es durch SMA Solar Technology AG und den Netzbetreiber freigegeben ist.

Die Produkte von SMA Solar Technology AG eignen sich nicht für eine Verwendung in

- Medizinprodukten, insbesondere Produkte zur Versorgung von lebenserhaltenden Systemen und Maschinen,
- Luftfahrzeugen, dem Betrieb von Luftfahrzeugen, der Versorgung kritischer Flughafeninfrastrukturen und Flughafensystemen,



- Schienenfahrzeugen, dem Betrieb und der Versorgung von Schienenfahrzeugen und deren kritischer Infrastruktur.

Die vorstehende Aufzählung ist nicht abschließend. Kontaktieren Sie uns, wenn Sie unsicher sind, ob Produkte von SMA Solar Technology AG für Ihren Anwendungsfall geeignet sind.

Setzen Sie SMA Produkte ausschließlich nach den Angaben der beigefügten Dokumentationen und gemäß der vor Ort gültigen Gesetze, Bestimmungen, Vorschriften und Normen ein. Ein anderer Einsatz kann zu Personen- oder Sachschäden führen.

Eingriffe in SMA Produkte, z. B. Veränderungen und Umbauten, sind nur mit ausdrücklicher schriftlicher Genehmigung von SMA Solar Technology AG gestattet. Nicht autorisierte Eingriffe führen zum Wegfall der Garantie- und Gewährleistungsansprüche sowie in der Regel zum Erlöschen der Betriebserlaubnis. Die Haftung von SMA Solar Technology AG für Schäden aufgrund solcher Eingriffe ist ausgeschlossen.

Jede andere Verwendung des Produkts als in der bestimmungsgemäßen Verwendung beschrieben gilt als nicht bestimmungsgemäß.

Die beigefügten Dokumentationen sind Bestandteil des Produkts. Die Dokumentationen müssen gelesen, beachtet und jederzeit zugänglich und trocken aufbewahrt werden.

Dieses Dokument ersetzt keine regionalen, Landes-, Provinz-, bundesstaatlichen oder nationalen Gesetze sowie Vorschriften oder Normen, die für die Installation und die elektrische Sicherheit und den Einsatz des Produkts gelten. SMA Solar Technology AG übernimmt keine Verantwortung für die Einhaltung bzw. Nichteinhaltung dieser Gesetze oder Bestimmungen im Zusammenhang mit der Installation des Produkts.

Das Typenschild muss dauerhaft am Produkt angebracht sein.

## 2.2 Wichtige Sicherheitshinweise

Anleitung aufbewahren.

Dieses Kapitel beinhaltet Sicherheitshinweise, die bei allen Arbeiten immer beachtet werden müssen.

Das Produkt wurde gemäß internationaler Sicherheitsanforderungen entworfen und getestet. Trotz sorgfältiger Konstruktion bestehen, wie bei allen elektrischen oder elektronischen Geräten, Restrisiken. Um Personen- und Sachschäden zu vermeiden und einen dauerhaften Betrieb des Produkts zu gewährleisten, lesen Sie dieses Kapitel aufmerksam und befolgen Sie zu jedem Zeitpunkt alle Sicherheitshinweise.

 **GEFAHR**

### Lebensgefahr durch Stromschlag beim Berühren spannungsführender DC-Kabel

Die DC-Kabel, die an einer Batterie angeschlossen sind, können unter Spannung stehen. Das Berühren spannungsführender DC-Kabel führt zum Tod oder zu schweren Verletzungen durch Stromschlag.

- Vor allen Arbeiten Produkt und Wechselrichter spannungsfrei schalten und gegen Wiedereinschalten sichern.
- Keine freiliegenden spannungsführenden Teile oder Kabel berühren.
- Die DC-Steckverbinder nicht unter Last trennen.
- Bei allen Arbeiten am Produkt geeignete persönliche Schutzausrüstung tragen.

 **GEFAHR**

### Lebensgefahr durch Stromschlag beim Berühren unter Spannung stehender Gehäuseteile bei beschädigtem PE-Leiter

Falls der PE-Leiter des DC-Anschlusses beschädigt ist oder nicht korrekt angeschlossen wurde, können hohe Spannungen am Gehäuse des Produkts anliegen. Das Berühren spannungsführender Gehäuseteile führt zum Tod oder zu lebensgefährlichen Verletzungen durch Stromschlag.

- Erdungsleiter für den DC-Anschluss wie in diesem Dokument beschrieben anschließen.

 **GEFAHR**

### Lebensgefahr durch Feuer oder Explosion wegen unsachgemäßer Handhabung der Batteriemodule

Bei unsachgemäßer Handhabung der Batteriemodule kann sich das Lithium im Inneren der Batteriemodule entzünden. Dadurch kann Brand entstehen oder eine Explosion ausgelöst werden. Tod oder lebensgefährliche Verletzungen durch heiße oder wegfliegende Teile können die Folge sein.

- Niemals defekte oder beschädigte Batteriemodule verwenden.
- Die Batteriemodule nicht öffnen, durchbohren oder fallen lassen.
- Die Batteriemodule nicht in explosionsgefährdeten Bereichen oder in Bereichen mit hoher Luftfeuchtigkeit montieren und betreiben.
- Die Batteriemodule nicht hohen Temperaturen aussetzen.
- Die Batteriemodule nicht ins Feuer werfen.
- Die Batteriemodule trocken und innerhalb des vorgegebenen Temperaturbereichs lagern.
- Wenn ein Brand von der Batterie ausgeht, sofort die Feuerwehr verständigen. Das Löschen ist wegen toxischer Gase, Explosionsgefahr und schneller Ausbreitung ein hohes Risiko.
- Bei einem Brand in der Umgebung der Batterie einen ABC-Feuerlöscher verwenden.

**⚠ GEFAHR****Lebensgefahr durch Stromschlag beim Berühren unter Spannung stehender Anlagenteile bei einem Erdschluss**

Bei einem Erdschluss können Anlagenteile unter Spannung stehen. Das Berühren spannungsführender Teile oder Kabel führt zum Tod oder zu lebensgefährlichen Verletzungen durch Stromschlag.

- Vor allen Arbeiten Produkt und Wechselrichter spannungsfrei schalten und gegen Wiedereinschalten sichern.
- Die Teile der Unterkonstruktion nicht anfassen.

**⚠ GEFAHR****Lebensgefahr durch Stromschlag beim Berühren spannungsführender Teile bei geöffnetem Produkt**

Im Betrieb liegen an den spannungsführenden Teilen und Kabel im Inneren des Produkts hohe Spannungen an. Das Berühren spannungsführender Teile oder Kabel führt zum Tod oder zu lebensgefährlichen Verletzungen durch Stromschlag.

- Das Produkt nicht öffnen.

**⚠ WARNUNG****Lebensgefahr durch Stromschlag bei Zerstörung eines Messgeräts durch Überspannung**

Eine Überspannung kann ein Messgerät beschädigen und zum Anliegen einer Spannung am Gehäuse des Messgeräts führen. Das Berühren des unter Spannung stehenden Gehäuses des Messgeräts führt zum Tod oder zu lebensgefährlichen Verletzungen durch Stromschlag.

- Nur Messgeräte mit einem DC-Eingangsspannungsbereich bis mindestens 1500 V oder höher einsetzen.

**⚠ WARNUNG****Lebensgefahr durch Verbrennungen bei Lichtbögen aufgrund von Kurzschluss-Strömen**

Kurzschluss-Ströme der Batterie können Hitzeentwicklungen und Lichtbögen verursachen. Hitzeentwicklungen und Lichtbögen können zu lebensgefährlichen Verletzungen durch Verbrennung führen.

- Vor allen Arbeiten an der Batterie die Batterie spannungsfrei schalten.
- Vor allen Arbeiten an der Batterie Uhren, Ringe und andere Metallobjekte ablegen.
- Bei allen Arbeiten an der Batterie isoliertes Werkzeug und isolierte Handschuhe verwenden.
- Keine Werkzeuge oder Metallteile auf die Batterie legen.

## **WARNUNG**

### **Lebensgefahr durch Feuer oder Explosion bei tiefentladenen Batterien**

Beim fehlerhaften Aufladen von tiefentladenen Batterien kann ein Brand entstehen. Tod oder schwere Verletzungen können die Folge sein.

- Die Batterie spätestens 6 Monate nach Auslieferung in Betrieb nehmen.
- Wenn die Batterie nicht innerhalb von 6 Monaten in Betrieb genommen werden kann, eine Nachzyklisierung des Batteriespeichers beim Service anfordern.
- Vor Inbetriebnahme des Systems sicherstellen, dass die Batterie nicht tiefentladen ist.
- Das System nicht in Betrieb nehmen, wenn die Batterie tiefentladen ist.
- Wenn die Batterie tiefentladen ist, Service kontaktieren.

## **WARNUNG**

### **Verletzungsgefahr durch giftige Substanzen, Gase und Stäube**

In seltenen Einzelfällen können, durch Beschädigungen an elektronischen Bauteilen, giftige Substanzen, Gase und Stäube im Inneren des Produkts entstehen. Das Berühren giftiger Substanzen sowie das Einatmen giftiger Gase und Stäube kann zu Hautreizungen, Verätzungen, Atembeschwerden und Übelkeit führen.

- Gehäuse der Batterie vor Zerstörung schützen.
- Batterie nicht öffnen oder deformieren.
- Batterien nicht ins Feuer werfen. Batterien können im Feuer explodieren.
- Arbeiten an der Batterie (z. B. Fehlersuche, Reparaturarbeiten) nur mit persönlicher Schutzausrüstung für den Umgang mit Gefahrstoffen (z. B. Schutzhandschuhe, Augen- und Gesichtsschutz und Atemschutz) durchführen.
- Säurespritzer mit klarem Wasser lange und gründlich abspülen und anschließend Arzt aufsuchen.
- Wenn Säuredämpfe eingeatmet wurden, sofort einen Arzt aufsuchen.
- Sicherstellen, dass Unbefugte keinen Zutritt zum Produkt haben.
- Batterie entsprechend den Herstellervorgaben installieren, betreiben, warten und entsorgen.

**⚠️ WARNUNG****Verletzungsgefahr durch das Gewicht des Produkts**

Durch falsches Heben und durch Herunterfallen der Batteriemodule bei Transport oder der Montage können Verletzungen entstehen

- Das Produkt vorsichtig transportieren und heben. Dabei das Gewicht des Produkts beachten.
- Das Produkt nur einzeln transportieren.
- Produkt immer mit mehreren Personen transportieren und montieren. Dabei richtet sich die Personenzahl nach den vor Ort gültigen Normen und Richtlinien.
- Geeignetes Transportmittel verwenden, z. B. Sackkarre. Dabei die Gehäuse der Batteriekomponenten nicht beschädigen.
- Bei allen Arbeiten am Produkt geeignete persönliche Schutzausrüstung tragen, mindestens Sicherheitsschuhe mit durchtrittsicherer Sohle und Stahlkappe.

**⚠️ VORSICHT****Verbrennungsgefahr durch heiße Batteriemodule**

Das Batteriemodul kann während des Betriebs heiß werden. Das Berühren heißer Batteriemodule kann zu Verbrennungen führen.

- Vor Berühren des Batteriemodules warten, bis die Batteriemodule abgekühlt sind.

**⚠️ VORSICHT****Verletzungsgefahr durch scharfe Kanten**

Die Batteriekomponenten enthalten scharfkantige Bleichteile. Das Berühren der scharfkantigen Bleichteile kann zu Verletzungen führen.

- Bei Montage und Demontage der Batterie Schutzhandschuhe tragen.

**ACHTUNG****Beschädigung der Batteriemodule durch Feuchtigkeit oder korrosiver Substanzen**

Durch das Eindringen von Feuchtigkeit oder korrosiver Substanzen kann das Produkt beschädigt und die Funktion beeinträchtigt werden.

- Batteriemodule nicht in Flüssigkeit tauchen.
- Batteriezellen keinen korrosiven Substanzen aussetzen (z. B. Ammoniak, Salz).

**ACHTUNG****Beschädigung des Produkts durch Reinigungsmittel**

Durch die Verwendung von Reinigungsmitteln können das Produkt und Teile des Produkts beschädigt werden.

- Alle Batteriekomponenten ausschließlich mit einem trockenen Tuch reinigen.







### 3 Zusätzlich benötigtes Material (nicht im Lieferumfang enthalten)

#### **i** Batteriekommunikationskabel für die Verbindung zwischen SMA Home Storage und Sunny Tripower Smart Energy

Für die Verbindung zwischen SMA Home Storage und Sunny Tripower Smart Energy muss ein vorkonfiguriertes Batteriekommunikationskabel verwendet werden (SMA Bestellnummer: HS-COM-CBL-3-10). Dieses Batteriekommunikationskabel hat einen RJ45- und einen COM-Stecker.

### 4 Symbole am Produkt

Symbol	Erklärung
	Warnung vor einer Gefahrenstelle Dieses Symbol weist darauf hin, dass das Produkt zusätzlich geerdet werden muss, wenn vor Ort eine zusätzliche Erdung oder ein Potenzialausgleich gefordert ist.
	Warnung vor elektrischer Spannung Das Produkt arbeitet mit hohen Spannungen.
	Warnung vor Gefahren durch Batterien Dieses Symbol weist auf die Gefährlichkeit des Umgangs mit Batterien hin.
	Warnung vor explosionsgefährlichen Stoffen Bei unsachgemäßer Handhabung oder bei einem Brand kann sich das Produkt entzünden oder explodieren.
	Warnung vor ätzenden Stoffen Das Produkt enthält ätzende Substanzen, die bei direktem Hautkontakt schwerwiegende Verletzungen verursachen können.
	Dokumentationen beachten Beachten Sie alle Dokumentationen, die mit dem Produkt geliefert werden.
	Augenschutz verwenden Bei allen Arbeiten am Gerät ist ein Augenschutz zu tragen.
	Kein offenes Feuer Der Umgang mit offenem Feuer und Zündquellen ist in der unmittelbaren Umgebung des Produkts verboten.

Symbol	Erklärung
	Zutritt für Kinder verboten Kinder müssen vom Produkt ferngehalten werden.
	Erdung Dieses Symbol kennzeichnet den Ort für den Anschluss zusätzlicher Schutzleiter.
	WEEE-Kennzeichnung Entsorgen Sie das Produkt nicht über den Hausmüll, sondern nach den am Installationsort gültigen Entsorgungsvorschriften für Elektroschrott.
	Das Produkt ist für die Montage im Außenbereich geeignet.
<b>IP65</b>	Schutzart IP65 Das Produkt ist gegen Eindringen von Staub und vor Wasser, das aus jeder Richtung als Strahl gegen das Gehäuse gerichtet ist, geschützt.
<b>CE</b>	CE-Kennzeichnung Das Produkt entspricht den Anforderungen der zutreffenden EU-Richtlinien.
<b>UK CA</b>	UKCA-Kennzeichnung Das Produkt entspricht den Verordnungen der zutreffenden Gesetze von England, Wales und Schottland.
	RoHS-Kennzeichnung Das Produkt entspricht den Anforderungen der zutreffenden EU-Richtlinien.
	RCM (Regulatory Compliance Mark) Das Produkt entspricht den Anforderungen der zutreffenden australischen Standards.

## 5 Transport

Dieses Kapitel beinhaltet Sicherheitshinweise, die beim Transport der Batterie immer beachtet werden müssen.

### VORSICHT

#### Verletzungsgefahr durch unsachgemäßen Transport

Durch unsachgemäßen Transport oder mangelhafte Transportsicherung kann die Batterie verrutschen oder kippen. Das Verrutschen oder Kippen der Batterie kann Verletzungen verursachen.

- Batterie vorsichtig transportieren und heben. Dabei das Gewicht der Batterie beachten.
- Die Batterie im Fahrzeug rutschsicher aufstellen.
- Die Batterie z. B. mit Haltebändern gegen Verrutschen und Kippen sichern.
- Bei allen Arbeiten an der Batterie geeignete persönliche Schutzausrüstung tragen.

Bei dem SMA Home Storage (HS-BM-3.28-10) handelt es sich um Gefahrgut: UN 3480 Lithium-Ionen-Batterie, Klasse 9 (Gefahrgutbezeichnung UN 3480, Gefahrenklasse 9). Die Sicherheitsinformationen der Batterie müssen beachtet werden (siehe Technische Information "SMA HOME STORAGE - Safety Information" unter [www.SMA-Solar.com](http://www.SMA-Solar.com)).

Alle Anforderungen der Gefahrgutverordnung Straße, Eisenbahn und Binnenschifffahrt (GGVSEB) und des Übereinkommens über die internationale Beförderung gefährlicher Güter auf der Straße (ADR) müssen stets eingehalten werden:

- Ausschließlich geschultes und unterwiesenes Personal darf die Batteriemodule auf öffentlichen Straßen transportieren.
- Die Unterweisungen sind zu dokumentieren und wiederkehrend vorzunehmen.
- Während der Fahrt darf im Fahrzeug nicht geraucht werden.
- Beim Be- und Entladen des Fahrzeugs darf im Fahrzeug selbst und in der unmittelbaren Umgebung des Fahrzeugs nicht geraucht werden.
- Die Umverpackung des Batteriemoduls darf während des Transports nicht geöffnet werden.
- Während des Transports sind 1 Gefahrgutausrüstung gemäß ADR und 2 geprüfte Metallbrandfeuerlöscher mitzuführen. Die Feuerlöscher müssen Brandklasse D (Mindestfassungsvermögen 2 kg) entsprechen.



## 6 EU-Konformitätserklärung

im Sinne der EU-Richtlinien

- Elektromagnetische Verträglichkeit 2014/30/EU (29.3.2014 L 96/79-106) (EMV)
- Niederspannung 2014/35/EU (29.3.2014 L 96/357-374) (NSR)
- Beschränkung der Verwendung bestimmter gefährlicher Stoffe 2011/65/EU (08.06.2011 L 174/88) und 2015/863/EU (31.03.2015 L 137/10) (RoHS)

Hiermit erklärt SMA Solar Technology AG, dass sich die in diesem Dokument beschriebenen Produkte in Übereinstimmung mit den grundlegenden Anforderungen und anderen relevanten Bestimmungen der oben genannten Richtlinien befinden. Weiterführende Informationen zur Auffindbarkeit der vollständigen Konformitätserklärung finden Sie unter <https://www.sma.de/en/ce-ukca>.



## 7 UK-Konformitätserklärung

entsprechend der Verordnungen von England, Wales und Schottland

- Electromagnetic Compatibility Regulations 2016 (SI 2016/1091)
- Electrical Equipment (Safety) Regulations 2016 (SI 2016/1101)
- The Restriction of the Use of Certain Hazardous Substances in Electrical and Electronic Equipment Regulations 2012 (SI 2012/3032)

Hiermit erklärt SMA Solar Technology AG, dass sich die in diesem Dokument beschriebenen Produkte in Übereinstimmung mit den grundlegenden Anforderungen und anderen relevanten Bestimmungen der oben genannten Verordnungen befinden. Weiterführende Informationen zur Auffindbarkeit der vollständigen Konformitätserklärung finden Sie unter <https://www.sma.de/en/ce-ukca>.



### SMA Solar UK Ltd.

Countrywide House  
23 West Bar, Banbury  
Oxfordshire, OX16 9SA  
United Kingdom

## Juridiske bestemmelser

Informationerne i disse papirer er ejendom tilhørende SMA Solar Technology AG. Ingen del af dette dokument må mangfoldiggøres, lagres i et system til datafremkaldelse eller overføres på anden måde (elektronisk, mekanisk ved fotokopiering eller optegnelse) uden forudgående skriftlig tilladelse fra SMA Solar Technology AG. En mangfoldiggørelse til brug internt i virksomheden, som er beregnet til evaluering af produktet eller til fagmæssig brug, er tilladt og kræver ingen godkendelse.

SMA Solar Technology AG yder ingen form for indeståelser eller garantier, hverken udtrykkelige eller stiliende, mht. nogen form for dokumentation eller deri beskrevet software og tilbehør. Dette omfatter blandt andet (men ikke begrænset hertil) implicit garanti for egnethed for markedet eller egnethed til et bestemt formål. Alle indeståelser og garantier herfor frasiges hermed udtrykkeligt. SMA Solar Technology AG og dets forhandlere hæfter under ingen omstændigheder for eventuelle direkte eller indirekte, tilfældige følgende tab eller skader.

Ovennævnte udelukkelse af implicitte garantier kan ikke gøres gældende i alle tilfælde.

Ændringer af specifikationer forbeholdes. Der er udfoldet alle anstrengelser for at oprette dette dokument med største omhu og holde det ajour. Lærerne gøres dog udtrykkeligt opmærksom på, at SMA Solar Technology AG forbeholder sig ret til at uden forudgående meddelelse hhv. iht. de pågældende bestemmelser i de gældende leveringsbetingelser at foretage ændringer i disse specifikationer, som det finder rimelige med hensyn til produktforbedringer og brugerfaringer. SMA Solar Technology AG påtager sig intet ansvar for eventuelle indirekte, tilfældige eller følgende tab eller skader, som opstår som følge af tillid til det foreliggende materiale, blandt andet som følge af udeladelse af informationer, trykfejl, regnefejl eller fejl i strukturen af det foreliggende dokument.

### SMA-garanti

De aktuelle garantibetingelser kan downloades fra internettet under [www.SMA-Solar.com](http://www.SMA-Solar.com).

### Varemærker

Alle varemærker bliver anerkendt, også hvis de ikke er mærket særskilt. Manglende mærkning betyder ikke, at en vare eller et tegn er frit.

### SMA Solar Technology AG

Sonnenallee 1

34266 Niestetal

Tyskland

Tlf. +49 561 9522-0

Fax +49 561 9522-100

[www.SMA.de](http://www.SMA.de)

E-mail: [info@SMA.de](mailto:info@SMA.de)

Stand: 15-02-2024

Copyright © 2023 SMA Solar Technology AG. Alle rettigheder forbeholdes.

# 1 Henvisninger vedrørende dette dokument

## 1.1 Gyldighedsområde

Dette dokument gælder for:

- HS-BM-3.28-10 (SMA Home Storage 3.2)

## 1.2 Målgruppe

De arbejder, der beskrives i dette dokument, må kun udføres af fagmænd. Fagmændene skal have følgende kvalifikationer:

- Kendskab til en omformers funktionsmåde og drift
- Kendskab til batteriers funktionsmåde og drift
- Uddannelse i omgang med farer og risici under installation, reparation og betjening af elektriske apparater, batterier og anlæg
- Uddannelse i installation og idriftsættelse af elektriske apparater og anlæg
- Kendskab til de gældende love, forordninger, standarder og direktiver
- Kendskab til og overholdelse af dette dokument inkl. alle sikkerhedsanvisninger

## 1.3 Dokumentets indhold og struktur

Dette dokument indeholder sikkerhedsrelevante informationer samt en grafisk vejledning til installation og idrifttagning (se side 141). Læs alle informationer, og udfør de handlinger, der er vist grafisk, i den angivne rækkefølge.

Både den aktuelle version af dette dokument og en udførlig vejledning til installation, idrifttagning, konfiguration og nedlukning finder du i PDF-format på [www.SMA-Solar.com](http://www.SMA-Solar.com).

Figurene i dette dokument viser kun de væsentlige detaljer og kan afvige fra det reelle produkt.

## 1.4 Advarselstrin

Følgende advarselstrin kan optræde i forbindelse med håndteringen af produktet.

### FARE

Markerer en advarselshenvisning, hvor manglende overholdelse umiddelbart fører til død eller svære kvæstelser.

### ADVARSEL

Markerer en advarselshenvisning, hvor manglende overholdelse kan føre til død eller svære kvæstelser.



### FORSIGTIG

Markerer en advarselshenvisning, hvor manglende overholdelse kan føre til lette eller middelsvære kvæstelser.

**BEMÆRK**

Markerer en advarselshenvisning, hvor manglende overholdelse kan føre til materielle skader.

## 1.5 Symboler i dokumentet

Symbol	Forklaring
	Information, som er vigtig, men ikke sikkerhedsrelevant for et bestemt tema eller mål
	Kapitel, hvori installationen og idrifttagningen er vist grafisk

## 2 Sikkerhed

### 2.1 Korrekt anvendelse

SMA Home Storage er et system bestående af et eller flere batterimoduler, som kan anvendes i SMA Home Storage Solution til hjemmeapplikationer, f.eks. til egefforbrugsoptimering.

Kommunikationsinterfacet til den anvendte omformer skal være kompatibelt med produktet. Hele spændingsområdet skal ligge helt inden for det tilladte indgangsspændingsområde for omformereren. Den maksimalt tilladte DC-indgangsspænding for produktet må ikke overskrides.

Der må ikke anvendes yderligere forbrugere eller komponenter i DC-forbindelsen mellem batteri og omformer.

Produktet er egnet til anvendelse udendørs og indendørs.

Produktet må udelukkende anvendes som stationært udstyr.

Det tilladte driftsområde og installationskravene for alle komponenter skal altid overholdes.

Produktet er ikke egnet til forsyningen af livsbevarende medicinske apparater. Et strømsvigt må ikke medføre personskader.

Produktet må kun anvendes i lande, som det er godkendt til, eller som det er frigivet til af SMA Solar Technology AG og netudbyderen.

Produkterne fra SMA Solar Technology AG egner sig ikke til anvendelse i

- medicinske produkter, særligt produkter til forsyning af livsopretholdende systemer og maskiner,
- luftfartøjer, brug af luftfartøjer, forsyning af kritisk lufthavnsinfrastruktur og lufthavnssystemer,
- skinnekøretøjer, brug og forsyning af skinnekøretøjer og kritisk infrastruktur knyttet dertil.

Ovenstående liste er ikke udtømmende. Kontakt os, hvis du er usikker på, om produkterne fra SMA Solar Technology AG egner sig til dit anvendelsesområde.

Anvend udelukkende SMA-produkter i overensstemmelse med angivelserne i de vedlagte dokumentationer og i henhold til gældende lokale love, bestemmelser, forskrifter og standarder.

Anden anvendelse kan føre til personskader eller materielle skader.

Indgreb i SMA-produkter, f.eks. ændringer og ombygninger, er kun tilladt med udtrykkelig skriftlig tilladelse fra SMA Solar Technology AG. Ikke autoriserede indgreb medfører bortfald af garanti- og mangelansvarskrav samt i reglen annullering af standardtypegodkendelsen. SMA Solar Technology AG hæfter ikke for skader, der er opstået på grund af sådanne indgreb.

Enhver anden anvendelse af produktet end den, der er beskrevet under korrekt anvendelse, gælder som ikke korrekt.

De vedlagte dokumentationer er en del af produktet. Dokumentationerne skal læses, overholdes og opbevares, så de er tilgængelige og tørre til enhver tid.

Dette dokument erstatter ikke regionale eller nationale love eller forskrifter eller standarder, der gælder for installationen, den elektriske sikkerhed eller brugen af produktet. SMA Solar Technology AG påtager sig intet ansvar for overholdelse eller manglende overholdelse af disse love eller bestemmelser i sammenhæng med installationen af produktet.

Typeskiltet skal være anbragt permanent på produktet.

## 2.2 Vigtige sikkerhedsanvisninger

Opbevar vejledningen.

Dette kapitel indeholder sikkerhedsanvisninger, der altid skal overholdes ved alle arbejder.

Produktet er udviklet og testet i overensstemmelse med internationale sikkerhedskrav. På trods af en omhyggelig konstruktion er der restriksi som ved alle elektriske eller elektroniske apparater. Læs dette kapitel omhyggeligt, og følg til enhver tid alle sikkerhedshenvisningerne, så personskade og materielle skader undgås, og en vedvarende drift af produktet sikres.

### FARE

#### **Livsfare på grund af elektrisk stød ved berøring af spændingsførende DC-kabler**

DC-kablerne, der er tilsluttet et batteri, kan være spændingsførende. Det medfører elektrisk stød og død eller alvorlige kvæstelser at berøre spændingsførende DC-kabler.

- Afbryd spændingen til produktet og omformeren før alle arbejder, og sørg for, at gentilkobling ikke er mulig.
- Berør ingen fritliggende spændingsførende dele eller kabler.
- DC-stikforbinderne må ikke frakobles, mens de er påtrykt spænding.
- Bær egnet personligt beskyttelsesudstyr ved alle arbejder på produktet.

### FARE

#### **Livsfare på grund af elektrisk stød ved berøring af kabinetdele, der er under spænding, ved en beskadiget PE-leder**

Hvis DC-tilslutningens PE-leder er beskadiget eller ikke er blevet tilsluttet korrekt, kan der foreligge høj spænding på produktets kabinet. Det medfører elektrisk stød og død eller livsfarlige kvæstelser at berøre spændingsførende kabinetdele.

- Tilslut beskyttelseslederen til DC-tilslutningen som beskrevet i dette dokument.

**⚠ FARE****Livsfare på grund af brand eller eksplosion pga. ukorrekt håndtering af batterimodulerne**

I tilfælde af ukorrekt håndtering af batterimodulerne kan lithium inde i batterimodulerne antænde. Dette kan udløse en brand eller eksplosion. Konsekvensen kan være døden eller livsfarlige kvæstelser på grund af dele, der er varme eller flyver bort.

- Anvend aldrig defekte eller beskadigede batterimoduler.
- Batterimodulerne må ikke åbnes, gennembøres eller tabes.
- Batterimodulerne må ikke monteres og anvendes i områder med risiko for eksplosion eller i områder med høj luftfugtighed.
- Batterimodulerne må ikke udsættes for høje temperaturer.
- Kast ikke batterimodulerne ind i ild.
- Opbevar batterimodulerne tørt og inden for det tilladte temperaturinterval.
- Hvis en brand udgår fra batteriet, skal brandvæsenet straks orienteres. Pga. toksiske gasser, eksplosionsfare og hurtig spredning udgør slukningen en høj risiko.
- Ved en brand i batteriets omgivelser skal en ABC-ildslukker anvendes.

**⚠ FARE****Livsfare på grund af elektrisk stød ved berøring af anlægsdele, der er under spænding, ved en jordslutning**

Ved en jordslutning kan anlægsdele være under spænding. Det medfører elektrisk stød og død eller livsfarlige kvæstelser at berøre spændingsførende dele eller kabler.

- Afbryd spændingen til produktet og omformeren før alle arbejder, og sørg for, at gentilkobling ikke er mulig.
- Rør ikke ved underkonstruktionens dele.

**⚠ FARE****Livsfare på grund af elektrisk stød ved berøring af spændingsførende dele, når produktet er åbent**

Under drift er der høj spænding på spændingsførende dele og kabler inde i produktet. Det medfører elektrisk stød og død eller livsfarlige kvæstelser at berøre spændingsførende dele eller kabler.

- Produktet må ikke åbnes.

**⚠ ADVARSEL****Livsfare på grund af elektrisk stød, hvis et måleudstyr ødelægges af overspænding**

En overspænding kan beskadige måleudstyr og medføre spænding på måleudstyrets kabinet. Det medfører elektrisk stød og død eller livsfarlige kvæstelser at berøre kabinettet på måleudstyret, der er under spænding.

- Der må kun anvendes måleudstyr med et DC-indgangsspændingsområde på op til mindst 1500 V eller højere.

**⚠ ADVARSEL****Livsfare som følge af forbrænding fra lysbuer på grund af kortslutningsstrømme.**

Kortslutning af batteriets strøm kan forårsage varmeudviklinger og lysbuer. Varmeudvikling og lysbuer kan medføre livsfarlige kvæstelser som følge af forbrænding.

- Batteriet skal kobles spændingsfrit før alle arbejder på batteriet.
- Bær ikke ur, ringe eller andre metalgenstande, når der arbejdes med batteriet.
- Anvend isoleret værktøj og isolerede handsker ved alle arbejder på batteriet.
- Læg ikke værktøj eller metaldele på batteriet.

**⚠ ADVARSEL****Livsfare på grund af brand eller eksplosion, når batterierne er dybt afladet**

Der kan opstå brand ved forkert ladning af dybt afladete batterier. Det kan medføre død eller alvorlige kvæstelser.

- Tag senest batteriet i drift 6 måneder efter udlevering.
- Hvis batteriet ikke kan tages i drift inden for 6 måneder, skal der anmodes om en eftercyklisering af batteriakkumulatoren hos Service.
- Inden systemet tages i brug, skal det sikres, at batteriet ikke er dybt afladet.
- Systemet må ikke tages i brug, når batteriet er dybt afladet.
- Kontakt Service, hvis batteriet er dybt afladet.

### ADVARSEL

#### Fare for kvæstelse på grund af giftige stoffer, gasser og støv

I sjældne tilfælde kan der som følge af beskadigelser på elektroniske komponenter opstå giftige stoffer, gasser og støv inde i produktet. Berøring af giftige stoffer eller indånding af giftige gasser og giftigt støv kan medføre hudirritationer, ætsninger, åndedrætsbesvær og kvalme.

- Beskyt batteriets kabinet mod ødelæggelse.
- Åbn ikke, og deformér ikke batteriet.
- Kast ikke batterier ind i ild. Batterier kan eksplodere i ild.
- Arbejde på batteriet (f.eks. fejlsøgning, reparation) må kun udføres med personligt beskyttelsesudstyr til håndteringen af farlige stoffer (f.eks. beskyttelseshandsker, øjen-, ansigts- og åndedrætsværn).
- Skyl syrestænk længe og grundigt med klart vand, og opsig efterfølgende læge.
- Hvis syredampe er blevet indåndet, opsøges en læge straks.
- Sørg for, at uvedkommende ikke har nogen adgang til produktet.
- Installér batteriet, tag det i drift, og vedligehold og bortskaf det i overensstemmelse med producentens anvisninger.

### ADVARSEL

#### Risiko for kvæstelser på grund af produktets vægt

Hvis batterimodulerne løftes forkert, eller hvis de falder ned under transporten eller monteringen, kan der være risiko for kvæstelser

- Transportér og løft produktet forsigtigt. Vær opmærksom på produktets vægt.
- Produktet må kun transporteres enkeltvis.
- Transportér og monter altid produktet flere personer sammen. Her skal antallet af personer være som beskrevet i de lokale standarder og retningslinjer.
- Brug egnet transportmiddel, f.eks. sækkevogn. I den forbindelse må batterikomponenternes kabinetter ikke blive beskadiget.
- Brug egnet personligt beskyttelsesudstyr ved alle arbejder på produktet, som minimum sikkerhedssko med perforeringssikker sål og stålkappe.

### FORSIGTIG

#### Risiko for forbrænding på grund af varme batterimoduler

Under driften kan batterimodulet blive varmt. Berøring af varme batterimoduler kan medføre forbrændinger.

- Vent med at berøre batterimoduler, til de er afkølet.



**⚠ FORSIGTIG****Fare for kvæstelse på grund af skarpe kanter**

Batterikomponenterne indeholder pladedele med skarpe kanter. Det kan medføre kvæstelser at berøre pladedele med skarpe kanter.

- Bær sikkerhedshandsker ved montering og afmontering af batteriet.

**BEMÆRK****Beskadigelse af batterimodulerne pga. fugt eller korroderende stoffer**

Hvis der trænger fugt eller korroderende stoffer ind, kan produktet blive beskadiget, og funktionen kan blive nedsat.

- Nedsæk ikke batterimoduler i væske.
- Udsæt ikke battericeller for korroderende stoffer (f.eks. ammoniak, salt).

**BEMÆRK****Beskadigelse af produktet på grund af rengøringsmidler**

Ved anvendelse af rengøringsmidler kan produktet og produktdele blive beskadiget.




- Alle batterikomponenter må kun rengøres med en tør klud.

### 3 Nødvendigt ekstra materiale (ikke inkluderet i leveringsomfanget)



#### **i** Batterikommunikationskabel til forbindelsen mellem SMA Home Storage og Sunny Tripower Smart Energy

Til forbindelsen mellem SMA Home Storage og Sunny Tripower Smart Energy skal der anvendes et prækonfigureret batterikommunikationskabel (SMA-bestillingsnr.: HS-COM-CBL-3-10). Dette batterikommunikationskabel har et RJ45- og et COM-stik.

### 4 Symboler på produktet

Symbol	Forklaring
	Advarsel om farligt sted Dette symbol henviser til at omformeren skal have en ekstra jordforbindelse, hvis der på opstillingsstedet kræves en ekstra jording eller potentialudligning.
	Advarsel om elektrisk spænding Produktet arbejder med høje spændinger.
	Advarsel mod farer fra batterier Dette symbol henviser til risici i håndteringen af batterier.

Symbol	Forklaring
	Advarsel mod eksplosive stoffer I tilfælde af ukorrekt håndtering eller en brand kan produktet antænde eller eksplodere.
	Advarsel mod ætsende stoffer Produktet indeholder ætsende stoffer, der kan forårsage alvorlige kvæstelser i tilfælde af direkte hudkontakt.
	Overhold dokumentationerne Overhold alle dokumentationerne, som leveres med produktet.
	Anvend øjenværn Ved alle arbejder på enheden skal der bruges øjenværn.
	Ingen åben ild Håndteringen af åben ild og antændingskilder er forbudt i umiddelbar nærhed af produktet.
	Adgang forbudt for børn Børn skal holdes væk fra produktet.
	Jording Dette symbol markerer stedet for tilslutningen af ekstra beskyttelsesledere.
	WEEE-mærkning Bortskaf ikke produktet med husholdningsaffaldet, men i henhold til de bortskaffelsesforskrifter for elaffald, der gælder på installationsstedet.
	Produktet er egnet til udendørs montering.
<b>IP65</b>	Beskyttelsestype IP65 Produktet er beskyttet mod indtrængen af støv samt vand, der er rettet som stråle mod kabinettet fra alle retninger.
<b>CE</b>	CE-mærkning Produktet overholder kravene i de relevante EU-direktiver.
<b>UK CA</b>	UKCA-mærkning Produktet er i overensstemmelse med forordningerne i relevant lovgivning i England, Wales og Skotland.

Symbol	Forklaring
	RoHS-mærkning Produktet overholder kravene i de relevante EU-direktiver.
	RCM (Regulatory Compliance Mark) Produktet overholder kravene i de relevante australske standarder.

## 5 Transport

Dette kapitel indeholder sikkerhedsanvisninger, der altid skal overholdes ved transport af batteriet.

### FORSIGTIG

#### Fare for kvæstelse på grund af ukorrekt transport

Pga. ukorrekt transport eller mangelfuld transportsikring kan batteriet skride eller vælte. Hvis batteriet skrider eller vælter, kan det forårsage kvæstelser.

- Transportér og løft batteriet forsigtigt. Vær opmærksom på batteriets vægt.
- Opstil batteriet skridsikkert i køretøjet.
- Fastgør f.eks. batteriet med holdebånd, så det ikke kan skride og tippe.
- Bær egnet personligt beskyttelsesudstyr ved alle arbejder på batteriet.

SMA Home Storage (HS-BM-3.28-10) er farligt gods: UN 3480 lithium-ion-batteri, klasse 9 (betegnelse for farligt gods UN 3480, fareklasse 9). Batteriets sikkerhedsinformationer skal følges (se Teknisk information "SMA HOME STORAGE - Safety Information" på [www.SMA-Solar.com](http://www.SMA-Solar.com)).

Alle krav i forordningen om farligt gods på veje, jernbaner og indenlandsk skibsfart (GGVSEB) og konventionen om international transport af farligt gods ad vej (ADR) skal altid overholdes:

- Udelukkende uddannet og instrueret personale må transportere batterimodulerne på offentlige veje.
- Instrukserne skal dokumenteres og gives periodisk.
- Under kørslen må der ikke ryges i køretøjet.
- Ved lastning og losning af køretøjet må der ikke ryges i selve køretøjet og i umiddelbar nærhed af køretøjet.
- Batterimodulets yderemballage må ikke åbnes under transporten.
- Under transporten skal 1 farligt-gods-enhed iht. ADR og 2 kontrollerede metalbrandslukkere medbringes. Ildslukkerne skal svare til brandklasse D (minimumskapacitet 2 kg).

## 6 EU-overensstemmelseserklæring

i henhold til EU-direktiverne

- Elektromagnetisk kompatibilitet 2014/30/EU (29.3.2014 L 96/79-106) (EMC)
- Lavspænding 2014/35/EU (29.3.2014 L 96/357-374) (lavspændingsdirektivet)
- Begrænsning af brugen af bestemte farlige stoffer 2011/65/EU (8.6.2011 L 174/88) og 2015/863/EU (31.3.2015 L 137/10) (RoHS)



Hermed erklærer SMA Solar Technology AG, at produkterne, der er beskrevet i dette dokument, er i overensstemmelse med de grundlæggende krav og andre relevante bestemmelser i de ovennævnte direktiver. Detaljerede oplysninger om tilgængeligheden af den fuldstændige overensstemmelseserklæring finder du på <https://www.sma.de/en/ce-ukca>.

## 7 UK-overensstemmelseserklæring

i overensstemmelse med forordningerne i England, Wales og Skotland

- Electromagnetic Compatibility Regulations 2016 (SI 2016/1091)
- Electrical Equipment (Safety) Regulations 2016 (SI 2016/1101)
- The Restriction of the Use of Certain Hazardous Substances in Electrical and Electronic Equipment Regulations 2012 (SI 2012/3032)



Hermed erklærer SMA Solar Technology AG, at produkterne, der er beskrevet i dette dokument, er i overensstemmelse med de grundlæggende krav og andre relevante bestemmelser i de ovennævnte forordninger. Detaljerede oplysninger om tilgængeligheden af den fuldstændige overensstemmelseserklæring finder du på <https://www.sma.de/en/ce-ukca>.

### **SMA Solar UK Ltd.**

Countrywide House  
23 West Bar, Banbury  
Oxfordshire, OX16 9SA  
United Kingdom

## Disposiciones legales

SMA Solar Technology AG es propietaria de todos los derechos de la información que se facilita en esta documentación. Queda prohibida la reproducción total o parcial de este documento, así como su almacenamiento en un sistema de recuperación y toda transmisión electrónica, mecánica, fotográfica, magnética o de otra índole sin previa autorización por escrito de SMA Solar Technology AG. Sí está permitida, sin necesidad de autorización previa, su reproducción para el uso interno, para evaluar el producto o para el uso previsto.

SMA Solar Technology AG no establece representaciones, ni expresas ni implícitas, con respecto a estas instrucciones o a cualquiera de los accesorios o software aquí descritos, incluyendo (sin limitación) cualquier garantía implícita en cuanto a utilidad, adaptación al mercado o aptitud para cualquier propósito particular. Tales garantías quedan expresamente denegadas. Ni SMA Solar Technology AG, ni sus distribuidores o vendedores serán responsables por ningún daño directo o indirecto, incidental o resultante, bajo ninguna circunstancia.

La exclusión de garantías implícitas mencionada anteriormente puede no ser aplicable en todos los casos.

Las especificaciones están sujetas a cambios sin previo aviso. Se ha tratado por todos los medios de hacer que este documento sea completo y preciso y esté actualizado. Sin embargo, advertimos a los lectores que SMA Solar Technology AG se reservan el derecho de cambiar estas especificaciones sin previo aviso o conforme con las condiciones del existente contrato de entrega si lo consideran adecuado para optimizar el producto y su uso. SMA Solar Technology AG no será responsable por ningún daño, ya sea indirecto, incidental o resultante, como consecuencia de confiar en el material que se presenta, incluyendo, aunque no exclusivamente, omisiones, errores tipográficos, aritméticos o de listado en el material del contenido.

### Garantía de SMA

En [www.SMA-Solar.com](http://www.SMA-Solar.com) podrá descargar las condiciones de garantía actuales.

### Marcas registradas

Se reconocen todas las marcas registradas, incluso si no están señaladas por separado. La falta de señalización no implica que la mercancía o las marcas sean libres.

### SMA Solar Technology AG

Sonnenallee 1

34266 Niestetal

Alemania

Tel. +49 561 9522-0

Fax +49 561 9522-100

[www.SMA.de](http://www.SMA.de)

Email: [info@SMA.de](mailto:info@SMA.de)

Versión: 15/02/2024

Copyright © 2023 SMA Solar Technology AG. Reservados todos los derechos.

# 1 Indicaciones sobre este documento

## 1.1 Área de validez

Este documento es válido para:

- HS-BM-3.28-10 (SMA Home Storage 3.2)

## 1.2 Grupo de destinatarios

Las actividades descritas en este documento deben realizarlas exclusivamente especialistas que han de contar con esta cualificación:

- Conocimientos sobre los procedimientos y el funcionamiento de un inversor
- Conocimientos sobre los procedimientos y el funcionamiento de las baterías
- Formación sobre cómo actuar ante los peligros y riesgos relativos a la instalación, la reparación y el manejo de equipos eléctricos, baterías y plantas
- Formación profesional para la instalación y la puesta en marcha de equipos eléctricos y plantas
- Conocimiento de las leyes, reglamentos, normativas y directivas aplicables
- Conocimiento y seguimiento de este documento y de todas sus indicaciones de seguridad

## 1.3 Contenido y estructura del documento

Este documento contiene información relevante de seguridad e instrucciones gráficas para la instalación y la puesta en funcionamiento (consulte la página 141). Tenga en cuenta toda la información y siga los pasos representados con imágenes en el orden indicado.

Encontrará la versión actual de este documento así como las instrucciones detalladas para la instalación, puesta en marcha, configuración y puesta fuera de servicio en formato PDF en [www.SMA-Solar.com](http://www.SMA-Solar.com).

Las imágenes en este documento han sido reducidas a lo esencial y pueden diferir del producto original.

## 1.4 Niveles de advertencia

Cuando se trate con el producto pueden darse estos niveles de advertencia.

### PELIGRO

Representa una advertencia que, de no ser observada, causa la muerte o lesiones físicas graves.

### ADVERTENCIA

Representa una advertencia que, de no ser observada, puede causar la muerte o lesiones físicas graves.



### ATENCIÓN

Representa una advertencia que, de no ser observada, puede causar lesiones físicas leves o de gravedad media.

**PRECAUCIÓN**

Representa una advertencia que, de no ser observada, puede causar daños materiales.

## 1.5 Símbolos del documento

Símbolo	Explicación
	Información importante para un tema u objetivo concretos, aunque no relevante para la seguridad
	Capítulo en el que se presenta de forma gráfica la instalación y la puesta en marcha

## 2 Seguridad

### 2.1 Uso previsto

SMA Home Storage es un sistema formado por uno o varios módulos de batería que puede utilizarse en la SMA Home Storage Solution para aplicaciones domésticas, p. ej., para la optimización del autoconsumo.

La interfaz de comunicación del inversor empleado debe ser compatible con el producto. Todo el rango de tensión debe situarse completamente dentro del rango de tensión de entrada admisible del inversor. No debe sobrepasarse la tensión de entrada de CC máxima admisible del producto. No puede haber equipos consumidores ni componentes adicionales en la conexión de CC entre la batería y el inversor.

El producto es apropiado para utilizarse en exteriores e interiores.

El producto únicamente puede utilizarse como equipo estacionario.

Deben respetarse en todo momento el rango de funcionamiento admisible y los requisitos de instalación de todos los componentes.

El producto no es apto para la alimentación de equipos médicos de soporte vital. Un apagón no debe causar daños a personas.

El producto solo debe utilizarse en los países donde esté autorizado o para los que haya sido aprobado por SMA Solar Technology AG y el operador de red.

Los productos de SMA Solar Technology AG no son adecuados para su uso en

- equipos médicos, en particular productos para el suministro de sistemas y máquinas de mantenimiento de la vida,
- aeronaves, la explotación de aeronaves, el suministro de infraestructuras aeroportuarias críticas y los sistemas aeroportuarios,
- vehículos ferroviarios, la explotación y el suministro de vehículos ferroviarios y sus infraestructuras críticas.

La lista anterior no es exhaustiva. Póngase en contacto con nosotros si no está seguro de si los productos de SMA Solar Technology AG son adecuados para su aplicación.

Utilice siempre los productos de SMA de acuerdo con las indicaciones de la documentación adjunta y observe las leyes, reglamentos, reglas y normas vigentes. Cualquier otro uso puede causarle lesiones al usuario o daños materiales.

Para realizar cualquier intervención en los productos de SMA, como modificaciones o remodelaciones, deberá contar con el permiso expreso y por escrito de SMA Solar Technology AG. Los cambios no autorizados conllevan la pérdida de los derechos de garantía, así como la extinción de la autorización de operación. Queda excluida la responsabilidad de SMA Solar Technology AG por los daños derivados de dichos cambios.

Cualquier uso del producto distinto al descrito en el uso previsto se considerará inadecuado.

La documentación adjunta es parte integrante del producto. La documentación debe leerse, observarse y guardarse en un lugar accesible en todo momento y seco.

Este documento no sustituye en ningún caso a cualquier legislación, reglamento o norma regional, federal, provincial o estatal aplicables a la instalación, la seguridad eléctrica y el uso del producto. SMA Solar Technology AG no asume responsabilidad alguna relativa al cumplimiento o al incumplimiento de la legislación o las disposiciones relacionadas con la instalación del producto.

La placa de características debe permanecer colocada en el producto en todo momento.

## 2.2 Indicaciones importantes para la seguridad

Conservar instrucciones

Este capítulo contiene indicaciones de seguridad que deben observarse siempre en todos los trabajos que se realizan.

Este producto se ha construido en cumplimiento de los requisitos internacionales relativos a la seguridad. A pesar de estar cuidadosamente contruidos, existe un riesgo residual como con todos los equipos eléctricos. Para evitar daños personales y materiales y garantizar el funcionamiento permanente del producto, lea detenidamente este capítulo y cumpla siempre las indicaciones de seguridad.

### PELIGRO

#### **Peligro de muerte por descarga eléctrica por contacto con cables de CC conductores de tensión**

Los cables de CC conectados a una batería pueden encontrarse bajo tensión. Tocar los cables de CC bajo tensión causa la muerte o lesiones graves por descarga eléctrica.

- Antes de cualquier trabajo, desconectar el producto y el inversor y asegurar el producto contra cualquier reconexión accidental.
- No toque piezas o cables conductores de tensión descubiertos.
- No desconecte el conector de enchufe de CC bajo carga.
- Utilice equipamientos de protección personal adecuado cuando realice trabajos en el producto.



**⚠ PELIGRO****Peligro de muerte por descarga eléctrica si se tocan partes de la carcasa bajo tensión estando un conductor de protección dañado**

Si el conductor de protección de la conexión de CC está dañado o no está conectado correctamente, pueden producirse altas tensiones en la carcasa del producto. El contacto con partes de la carcasa conductoras de tensión puede causar la muerte o lesiones mortales por descarga eléctrica.

- Conecte el conductor de protección para la conexión de CC tal y como se describe en este documento.

**⚠ PELIGRO****Peligro de muerte por fuego o explosión a causa de un manejo inadecuado de los módulos de batería**

Un manejo inadecuado de los módulos de batería puede hacer que se inflame el litio que contienen. Ello puede provocar un incendio o desencadenar una explosión. Piezas calientes o que salen despedidas pueden causar lesiones que pongan en peligro la vida o incluso la muerte.

- Nunca deben utilizarse módulos de batería defectuosos o dañados.
- No abrir, perforar o dejar caer los módulos de batería.
- No montar ni utilizar los módulos de batería en áreas potencialmente explosivas o en áreas con una humedad del aire elevada.
- No exponer los módulos de batería a altas temperaturas.
- No arrojar al fuego los módulos de batería.
- Almacenar los módulos de batería en un lugar seco y dentro del rango de temperaturas especificado.
- Si se produce un incendio en la batería, avise inmediatamente a los bomberos. La extinción de este tipo de incendios supone un alto riesgo debido a los gases tóxicos que se generan, al peligro de explosión y a la rápida propagación del fuego.
- En caso de un incendio en los alrededores de la batería, utilizar un extintor ABC.

**⚠ PELIGRO****Peligro de muerte por descarga eléctrica si se tocan partes de la planta bajo tensión en caso de fallo a tierra**

En caso de fallo a tierra los componentes de la planta pueden estar bajo tensión. El contacto con componentes conductores de tensión o cables puede causar la muerte o lesiones mortales por descarga eléctrica.

- Antes de cualquier trabajo, desconectar el producto y el inversor y asegurar el producto contra cualquier reconexión accidental.
- No toque las piezas de la subestructura.

**⚠ PELIGRO****Peligro de muerte por descarga eléctrica por contacto con componentes conductores de tensión con el inversor abierto**

Durante el funcionamiento en los componentes conductores y en los cables en el interior del producto existen altas tensiones. El contacto con componentes conductores de tensión o cables puede causar la muerte o lesiones mortales por descarga eléctrica.

- No abra el producto.

**⚠ ADVERTENCIA****Peligro de muerte por descarga eléctrica en caso de daño irreparable en un equipo de medición por una sobretensión**

Una sobretensión puede dañar un equipo de medición y provocar que exista tensión en la carcasa del equipo de medición. Tocar la carcasa del equipo de medición bajo tensión puede causar la muerte o lesiones mortales por descarga eléctrica.

- Use solo equipos de medición con un rango de tensión de entrada de CC de hasta 1500 V como mínimo.

**⚠ ADVERTENCIA****Peligro de muerte por quemaduras causadas por arcos voltaicos debidos a corrientes de cortocircuito.**

Las corrientes de cortocircuito de la batería pueden originar subidas de temperatura y arcos voltaicos. El desarrollo de calor y los arcos voltaicos pueden provocar lesiones mortales por quemaduras.

- Antes de efectuar cualquier trabajo en la batería, desconéctela de la tensión.
- Antes de realizar cualquier trabajo con la batería, retire relojes, anillos u otros objetos de metal.
- Para cualquier trabajo en la batería, utilizar una herramienta aislada y guantes aislados.
- No ponga herramientas o piezas de metal sobre la batería.

**⚠ ADVERTENCIA****Peligro de muerte por fuego o explosión con baterías descargadas por completo**

Si se cargan de forma incorrecta baterías completamente descargadas, puede producirse un incendio. Esto puede causar lesiones graves o incluso la muerte.

- Poner en funcionamiento la batería como muy tarde a los 6 meses de la entrega.
- Si la batería no se puede poner en funcionamiento en un plazo de 6 meses, solicitar al servicio técnico un ciclado sucesivo del sistema de batería.
- Antes de poner en marcha el sistema, asegúrese de que la batería no se encuentre descargada por completo.
- No ponga en funcionamiento el sistema si la batería está completamente descargada.
- Si la batería está descargada por completo, contactar con el servicio técnico.

**⚠ ADVERTENCIA****Peligro de lesiones por sustancias tóxicas, gases y polvos.**

En algunos casos aislados, en el interior del producto pueden existir sustancias tóxicas, gases y polvos debidos a daños en los componentes electrónicos. El contacto con sustancias tóxicas y la inhalación de gases y polvos tóxicos puede causar irritación de la piel, quemaduras, dificultades respiratorias y náuseas.

- Proteja la carcasa de la batería de posibles daños.
- No abra o deforme la batería.
- No lance la batería al fuego. Las baterías pueden explotar en el fuego.
- Para trabajar con la batería (por ejemplo, para detectar averías o llevar a cabo reparaciones), utilice siempre equipo de protección personal para el tratamiento de sustancias peligrosas (por ejemplo, guantes de protección, protección ocular y facial y protección respiratoria).
- Si se producen salpicaduras de ácido, enjuáguelas en profundidad con abundante agua limpia y acuda a un profesional médico.
- Si ha inhalado vapor de ácido, acuda al médico inmediatamente.
- Asegúrese de que las personas no autorizadas no tienen acceso al producto.
- La batería debe instalarse, mantenerse, utilizarse y eliminarse de acuerdo con las normas del fabricante.

**⚠ ADVERTENCIA****Peligro de lesiones por el peso del producto**

Existe peligro de lesiones al levantar los módulos de batería de forma inadecuada y si se caen durante el transporte o el montaje

- Transporte y eleve el producto con cuidado. Tenga en cuenta el peso del producto.
- Transporte solamente un producto.
- Para transportar y montar el producto son necesarias varias personas. Para ello, tenga en cuenta que el número de personas depende de las normas y directivas locales vigentes.
- Utilice medios de transporte adecuados, p. ej., una carretilla de mano. Al hacerlo, asegúrese de que no se dañe la carcasa de los componentes de la batería.
- Llevar un equipamiento de protección individual adecuado para todos los trabajos que se realicen en el producto, como mínimo, calzado de seguridad con suela a prueba de penetración y puntera de acero.

**⚠ ATENCIÓN****Peligro de quemaduras debido a módulos de batería calientes**

El módulo de batería puede calentarse durante el funcionamiento. Si se tocan los módulos de batería calientes, pueden producirse quemaduras.

- Antes de tocar el módulo de batería, espere a que se enfríe.

**⚠ ATENCIÓN****Peligro de lesiones por cantos afilados**

Los componentes de la batería tienen piezas de chapa de cantos afilados. Tocar las piezas de chapa de cantos afilados puede provocar lesiones.

- Durante el montaje y el desmontaje de la batería se deben llevar guantes de protección.

**PRECAUCIÓN****Daños en los módulos de batería por humedad o por sustancias corrosivas**

Si penetra humedad o sustancias corrosivas, el producto podría resultar dañado y sus funciones podrían verse limitadas.

- No sumerja los módulos de batería en ningún líquido.
- No exponer las celdas de la batería a sustancias corrosivas (por ejemplo, amoníaco, sal).

**PRECAUCIÓN****Daños en el productos debido a detergentes de limpieza**

Si utiliza productos de limpieza, puede dañar el producto y componentes del producto.

- Limpiar todos los componentes de la batería únicamente con un paño seco.







### 3 Material adicional necesario (no incluido en el contenido de la entrega)

#### **i** Cable de comunicación de batería para la conexión entre SMA Home Storage y Sunny Tripower Smart Energy

Para la conexión entre SMA Home Storage y Sunny Tripower Smart Energy, se debe utilizar un cable de comunicación de batería prefabricado (número de pedido en SMA: HS-COM-CBL-3-10). Este cable de comunicación de batería tiene un conector RJ45 y un conector COM.

### 4 Símbolos del producto

Símbolo	Explicación
	Advertencia de punto peligroso Este símbolo advierte de que el producto debe tener una conexión a tierra adicional si en el lugar de instalación se requiere una toma a tierra adicional o una conexión equipotencial.
	Advertencia de tensión El producto funciona con tensiones altas.
	Advertencia sobre los peligros de las baterías Este símbolo advierte del peligro del manejo de las baterías.
	Advertencia de sustancias explosivas En caso de manipulación incorrecta o incendio, el producto puede inflamarse o explotar.
	Advertencia de sustancias corrosivas El producto contiene sustancias corrosivas que pueden causar lesiones graves en caso de contacto directo con la piel.
	Tenga en cuenta la documentación Tenga en cuenta toda la documentación suministrada con el producto.
	Utilizar protección ocular Debe utilizarse protección ocular durante todos los trabajos en el equipo.
	No hacer fuego Se prohíbe manipular fuego abierto y fuentes de ignición en las inmediaciones del producto.

Símbolo	Explicación
	Prohibido el acceso a niños Los niños deben mantenerse alejados del producto.
	Toma a tierra Este símbolo identifica el lugar para la conexión de conductores de protección adicionales
	Señalización WEEE No deseche el producto con los residuos domésticos, sino de conformidad con las disposiciones sobre eliminación de residuos electrónicos vigentes en el lugar de instalación.
	El producto es apropiado para montarse en exteriores.
<b>IP65</b>	Tipo de protección IP65 El producto está protegido contra la infiltración de polvo y agua proyectada en chorros de agua de todas las direcciones hacia la carcasa.
<b>CE</b>	Identificación CE El producto cumple los requisitos de las directivas aplicables de la Unión Europea.
<b>UK CA</b>	Marcado UKCA El producto cumple con la normativa de las leyes aplicables de Inglaterra, Gales y Escocia.
	Identificación RoHS El producto cumple los requisitos de las directivas aplicables de la Unión Europea.
	RCM (Regulatory Compliance Mark) El producto cumple con los requisitos de los estándares australianos aplicables.

## 5 Transporte

Este capítulo contiene indicaciones de seguridad que deben observarse siempre para el transporte de la batería.

### ATENCIÓN

#### **Peligro de lesiones por un transporte incorrecto**

Si el transporte o la sujeción durante el transporte no son adecuados, la batería puede deslizarse o inclinarse. Si la batería se desliza o se inclina, puede causar lesiones.

- Transporte y eleve la batería con cuidado. Tenga en cuenta el peso de la batería.
- Coloque la batería en el vehículo sin posibilidad de que se desplace.
- Asegure la batería, p. ej., con correas de sujeción, para evitar que se deslice y se incline.
- Utilice un equipamiento de protección personal adecuado en todos los trabajos con la batería.

En el caso del SMA Home Storage (HS-BM-3.28-10), se trata de mercancía peligrosa: batería de iones de litio UN 3480, clase 9 (designación de mercancía peligrosa UN 3480, clase de peligrosidad 9). Debe respetarse la información de seguridad de las baterías (véase la información técnica "SMA HOME STORAGE - Safety Information" en [www.SMA-Solar.com](http://www.SMA-Solar.com)).

Cumplir en todo momento todos los requisitos del Reglamento sobre Mercancías Peligrosas para el Transporte por Carretera, Ferrocarril y Navegación Interior (GGVSEB) y del Acuerdo relativo al Transporte Internacional de Mercancías Peligrosas por Carretera (ADR):

- Únicamente personal formado e instruido puede transportar los módulos de batería por la vía pública.
- Las instrucciones deben documentarse y ejecutarse de forma reiterada.
- No está permitido fumar en el vehículo mientras se conduce.
- Durante la carga y descarga eléctrica del vehículo, no está permitido fumar en el propio vehículo ni en sus inmediaciones.
- El embalaje exterior del módulo de batería no debe abrirse durante el transporte.
- Durante el transporte debe llevarse 1 equipo para mercancías peligrosas según ADR y 2 extintores de metal probados. Los extintores deben ser de la clase de incendio D (capacidad mínima 2 kg).

## 6 Declaración de conformidad UE

En virtud de las directivas europeas

- Compatibilidad electromagnética 2014/30/EU (29.3.2014 L 96/79-106) (CEM)
- Baja tensión 2014/35/EU (29.3.2014 L 96/357-374) (DBT)
- Restricciones a la utilización de determinadas sustancias peligrosas 2011/65/EU (8.6.2011 L 174/88) y 2015/863/UE (31.3.2015 L 137/10) (RoHS)



Por la presente, SMA Solar Technology AG declara que los productos descritos en este documento cumplen los requisitos básicos y cualquier otra disposición relevante de las directivas mencionadas anteriormente. Encontrará más información sobre la declaración de conformidad completa en <https://www.sma.de/en/ce-ukca>.

## 7 Declaración de conformidad UK

conforme con la normativa de Inglaterra, Gales y Escocia

- Electromagnetic Compatibility Regulations 2016 (SI 2016/1091)
- Electrical Equipment (Safety) Regulations 2016 (SI 2016/1101)
- The Restriction of the Use of Certain Hazardous Substances in Electrical and Electronic Equipment Regulations 2012 (SI 2012/3032)



Por la presente, SMA Solar Technology AG declara que los productos descritos en este documento cumplen los requisitos básicos y cualquier otra disposición relevante de las normativas mencionadas anteriormente. Encontrará más información sobre la declaración de conformidad completa en <https://www.sma.de/en/ce-ukca>.

### SMA Solar UK Ltd.

Countrywide House  
23 West Bar, Banbury  
Oxfordshire, OX16 9SA  
United Kingdom



## Dispositions légales

Les informations contenues dans ce document sont la propriété de SMA Solar Technology AG. Aucune partie du présent document ne peut être reproduite, stockée dans un système d'extraction de données ou transmise par quelque moyen que ce soit (électroniquement, mécaniquement, par photocopie ou par enregistrement) sans l'accord écrit préalable de SMA Solar Technology AG. Une reproduction interne destinée à l'évaluation du produit ou à son utilisation conforme est autorisée et ne requiert aucun accord de notre part.

SMA Solar Technology AG ne fait aucune déclaration ni ne donnent aucune garantie, explicite ou implicite, concernant l'ensemble de la documentation ou les logiciels et accessoires qui y sont décrits, incluant, sans limitation, toutes garanties légales implicites relatives au caractère marchand et à l'adéquation d'un produit à un usage particulier. ne fait aucune déclaration ni ne donne aucune garantie, explicite ou implicite, concernant l'ensemble de la documentation ou les logiciels et accessoires qui y sont décrits, incluant, sans limitation, toutes garanties légales implicites relatives au caractère marchand et à l'adéquation d'un produit à un usage particulier. De telles garanties sont expressément exclues. SMA Solar Technology AG et ses revendeurs respectifs ne sauraient et ce, sous aucune circonstance, être tenus responsables en cas de pertes ou de dommages directs, indirects ou accidentels.

L'exclusion susmentionnée des garanties implicites peut ne pas être applicable à tous les cas.

Les spécifications peuvent être modifiées sans préavis. Tous les efforts ont été mis en œuvre pour que ce document soit élaboré avec le plus grand soin et tenu aussi à jour que possible. SMA Solar Technology AG avertit toutefois les lecteurs qu'elle se réserve le droit d'apporter des modifications aux présentes spécifications sans préavis ou conformément aux dispositions du contrat de livraison existant, dès lors qu'elle juge de telles modifications opportunes à des fins d'amélioration du produit ou d'expériences d'utilisation. SMA Solar Technology AG décline toute responsabilité pour d'éventuelles pertes ou d'éventuels dommages indirects ou accidentels causés par la confiance placée dans le présent matériel, comprenant notamment les omissions, les erreurs typographiques, les erreurs arithmétiques ou les erreurs de listage dans le contenu de la documentation.

### Garantie SMA

Vous pouvez télécharger les conditions de garantie actuelles sur le site [www.SMA-Solar.com](http://www.SMA-Solar.com).

### Marques déposées

Toutes les marques déposées sont reconnues, y compris dans les cas où elles ne sont pas explicitement signalées comme telles. L'absence de l'emblème de marque ne signifie pas qu'un produit ou une marque puisse être librement commercialisé(e).

### SMA Solar Technology AG

Sonnenallee 1  
34266 Niestetal  
Allemagne  
Tél. +49 561 9522-0  
Fax +49 561 9522-100  
[www.SMA-Solar.com](http://www.SMA-Solar.com)  
E-mail : [info@SMA.de](mailto:info@SMA.de)

État actuel : 15/02/2024

Copyright © 2023 SMA Solar Technology AG. Tous droits réservés.

# 1 Remarques relatives à ce document

## 1.1 Champ d'application

Ce document est valable pour les :

- HS-BM-3.28-10 (SMA Home Storage 3.2)

## 1.2 Groupe cible

Les opérations décrites dans le présent document doivent uniquement être réalisées par un personnel qualifié. Ce dernier doit posséder les qualifications suivantes :

- Connaissances relatives au mode de fonctionnement et à l'exploitation d'un onduleur
- Connaissance du fonctionnement et de l'utilisation des batteries
- Formation au comportement à adopter face aux dangers et risques encourus lors de l'installation, la réparation et la manipulation d'appareils, de batteries et d'installations électriques
- Formation à l'installation et à la mise en service des appareils et installations électriques
- Connaissance des lois, règlements, normes et directives pertinents
- Connaissance et respect du présent document avec toutes les consignes de sécurité

## 1.3 Contenu et structure du document

Le présent document contient des informations relatives à la sécurité ainsi que des instructions graphiques concernant l'installation et la mise en service (voir page 141). Veuillez tenir compte de toutes les informations fournies et exécuter les actions représentées graphiquement dans le présent document dans l'ordre donné.

Vous trouverez la version la plus récente de ce document ainsi que les instructions complètes pour l'installation, la mise en service, la configuration et la mise hors service du produit au format PDF sur [www.SMA-Solar.com](http://www.SMA-Solar.com).

Les illustrations du présent document sont réduites aux détails essentiels et peuvent différer du produit réel.

## 1.4 Niveaux de mise en garde

Les niveaux de mise en garde suivants peuvent apparaître en vue d'un bon maniement du produit.

 **DANGER**

Indique une mise en garde dont le non-respect entraîne des blessures corporelles graves, voire la mort.

**⚠ AVERTISSEMENT**

Indique une mise en garde dont le non-respect peut entraîner des blessures corporelles graves, voire la mort.



**⚠ ATTENTION**

Indique une mise en garde dont le non-respect peut entraîner des blessures corporelles légères ou de moyenne gravité.

**PRUDENCE**

Indique une mise en garde dont le non-respect peut entraîner des dommages matériels.

## 1.5 Symboles utilisés dans le document

Symbole	Explication
	Information importante sur un thème ou un objectif précis, mais ne relevant pas de la sécurité
	Chapitre comprenant une représentation graphique de l'installation et de la mise en service

## 2 Sécurité

### 2.1 Utilisation conforme

SMA Home Storage est un système composé d'un ou de plusieurs modules de batterie et peut être utilisé dans la SMA Home Storage Solution pour des applications domestiques comme l'optimisation de l'autoconsommation.

L'interface de communication de l'onduleur utilisé doit être compatible avec le produit. Toute la plage de tension doit se situer entièrement dans la plage de tension d'entrée autorisée de l'onduleur. La tension d'entrée DC maximale autorisée du produit ne doit pas être dépassée.

Ne jamais prévoir d'installer d'autres charges ou composants dans la connexion DC entre la batterie et l'onduleur.

Le produit est adapté pour une utilisation en intérieur comme en extérieur.

Le produit doit exclusivement être utilisé comme matériel stationnaire.

La plage de fonctionnement autorisée et les exigences pour les installations de tous les composants doivent être respectées en toutes circonstances.

Le produit ne convient pas à l'alimentation de dispositifs médicaux d'assistance à la vie. Une panne de courant ne doit entraîner aucun dommage corporel.

Le produit ne doit être utilisé que dans les pays pour lesquels il est homologué ou pour lesquels il a été autorisé par SMA Solar Technology AG et par l'exploitant de réseau.

Les produits de SMA Solar Technology AG ne conviennent pas pour une utilisation dans

- des produits médicaux, en particulier des produits alimentant des systèmes et machines de maintien des fonctions vitales,
- des aéronefs, ni pour leur fonctionnement et l'alimentation d'infrastructures et systèmes aéroportuaires critiques,
- des véhicules ferroviaires, ni pour leur fonctionnement et l'alimentation de véhicules ferroviaires et de leurs infrastructures critiques.

L'énumération ci-dessus n'est pas exhaustive. Contactez-nous si vous ne savez pas si les produits de SMA Solar Technology AG sont adaptés à votre cas d'application.

Utilisez des produits SMA exclusivement en conformité avec la documentation fournie ainsi qu'avec les lois, dispositions, prescriptions, normes et directives en vigueur sur le site. Tout autre usage peut compromettre la sécurité des personnes ou entraîner des dommages matériels.

Les interventions sur les produits SMA (modifications ou transformations, par exemple) ne sont autorisées qu'après accord écrit exprès de SMA Solar Technology AG. Toute intervention non autorisée entraîne l'annulation de la garantie légale et commerciale et, en règle générale, le retrait de l'autorisation d'exploitation. SMA Solar Technology AG décline toute responsabilité en cas de dommages résultant d'une telle intervention.

Toute utilisation du produit différente de celle décrite dans l'utilisation conforme est considérée comme non conforme.

Les documents joints font partie intégrante du produit. Les documents doivent être lus, respectés, rester accessibles à tout moment et conservés dans un endroit sec.

Ce document ne remplace pas et n'a pas pour objet de remplacer les législations, prescriptions ou normes régionales, territoriales, provinciales, nationales ou fédérales ainsi que les dispositions et les normes s'appliquant à l'installation, à la sécurité électrique et à l'utilisation du produit. SMA Solar Technology AG décline toute responsabilité pour la conformité ou non-conformité à ces législations ou dispositions en relation avec l'installation du produit.

La plaque signalétique doit être apposée en permanence sur le produit.

## 2.2 Consignes de sécurité importantes

Conservez les instructions.

Ce chapitre contient les consignes de sécurité qui doivent être respectées lors de tous les travaux effectués.

Le produit a été conçu et testé conformément aux exigences de sécurité internationale. En dépit d'un assemblage réalisé avec le plus grand soin, comme pour tout appareil électrique/électronique, il existe des risques résiduels. Lisez ce chapitre attentivement et respectez en permanence toutes les consignes de sécurité pour éviter tout dommage corporel et matériel, et garantir un fonctionnement durable du produit.

**⚠ DANGER****Danger de mort par choc électrique en cas de contact avec des câbles DC conducteurs**

Les câbles DC raccordés à la batterie peuvent être sous tension. Le contact avec des câbles DC conducteurs de tension entraîne des blessures graves, voire la mort par choc électrique.

- Mettez le produit et l'onduleur hors tension et protégez-les de toute remise sous tension avant toute intervention.
- Ne touchez pas aux composants conducteurs ou aux câbles dénudés.
- Ne déconnectez pas les connecteurs DC lorsqu'ils sont en charge.
- Portez toujours un équipement de protection individuelle adapté lors de toute intervention sur le produit.

**⚠ DANGER****Danger de mort par choc électrique au contact de parties du boîtier sous tension en présence d'un conducteur de protection endommagé**

Si le conducteur de protection de la borne DC est endommagé ou mal raccordé, le boîtier du produit peut être soumis à de hautes tensions. Le contact avec des parties conductrices du boîtier peut entraîner la mort ou des blessures mortelles due à un choc électrique.

- Raccordez un conducteur de protection pour la borne DC, conformément aux descriptions du présent document.

**⚠ DANGER****Danger de mort par incendie ou explosion à cause d'un maniement inapproprié des modules de batterie**

Un maniement inapproprié des modules de batteries peut provoquer un incendie du lithium situé à l'intérieur des modules de batterie. Cela peut provoquer un incendie ou une explosion. Il peut en résulter la mort ou des blessures pouvant engager le pronostic vital par projection d'objets ou présence d'objets brûlants.

- N'utilisez jamais de modules de batterie défectueux ou endommagés.
- Il est interdit d'ouvrir, de percer ou laisser tomber les modules de batterie.
- Ne montez pas et n'utilisez pas les modules de batterie dans des zones présentant un danger d'explosion ou une forte humidité de l'air.
- Ne soumettez jamais les modules de batterie à des températures élevées.
- Ne jetez jamais les modules de batterie au feu.
- Stockez les modules de batterie au sec et à des températures comprises dans la plage de température prédéfinie.
- Si un incendie se déclare au niveau des batteries, en informer le service des sapeurs-pompiers. L'extinction du feu présente un risque élevé en raison de l'émanation de gaz toxiques, du risque d'explosion et de la vitesse de propagation.
- En cas d'incendie aux environs de la batterie, utilisez un extincteur ABC.

**⚠ DANGER****Danger de mort par choc électrique au contact de parties de l'installation sous tension en cas de défaut à la terre**

En cas de défaut à la terre, des parties de l'installation peuvent être sous tension. Le contact avec des composants conducteurs ou des câbles peut entraîner la mort ou des blessures mortelles due à un choc électrique.

- Mettez le produit et l'onduleur hors tension et protégez-les de toute remise sous tension avant toute intervention.
- Ne touchez pas les éléments de la sous-construction.

**⚠ DANGER****Danger de mort par choc électrique en cas de contact avec des composants conducteurs lorsque le produit est ouvert**

Les composants conducteurs et les câbles à l'intérieur du produit sont soumis à de hautes tensions en fonctionnement. Le contact avec des composants conducteurs ou des câbles peut entraîner la mort ou des blessures mortelles due à un choc électrique.

- N'ouvrez pas le produit.

**⚠ AVERTISSEMENT****Danger de mort par choc électrique lors de la destruction d'un appareil de mesure due à une surtension**

Une surtension peut endommager un appareil de mesure et créer une tension au niveau du boîtier de l'appareil de mesure. Le contact avec le boîtier sous tension de l'appareil de mesure entraîne des blessures graves, voire la mort par choc électrique.

- Utilisez exclusivement des appareils de mesure avec une plage de tension d'entrée DC d'au moins 1500 V ou supérieure.

**⚠ AVERTISSEMENT****Danger de mort par brûlures causées par l'arc électrique à cause de courants de court-circuit**

Les courants de court-circuit de la batterie peuvent provoquer des dégagements de chaleur et des arcs électriques. Les dégagements de chaleur et arcs électriques peuvent entraîner des blessures mortelles par brûlure.

- Avant toute intervention sur la batterie, celle-ci doit être mise hors tension.
- Avant toute intervention sur la batterie, retirez vos montres, bagues et autres objets métalliques.
- Pour toute intervention sur la batterie, utilisez un outillage isolé et portez des gants isolés.
- Ne posez pas d'outils ni de pièces métalliques sur la batterie.

**⚠ AVERTISSEMENT****Danger de mort par incendie ou explosion en cas de décharge profonde des batteries**

En cas de chargement défectueux de batteries présentant une décharge profonde, un incendie peut survenir. Il peut en résulter des blessures graves, voire la mort.

- Mettez la batterie en service au plus tard 6 mois après l'avoir reçue.
- S'il est impossible de mettre la batterie en service dans les 6 mois, demandez au service technique de procéder à une nouvelle cyclisation du système de stockage à batterie.
- Avant la mise en service du système, s'assurer que la batterie n'est pas profondément déchargée.
- Ne pas mettre le système en service si la batterie est profondément déchargée.
- Si la batterie est profondément déchargée, contacter le service technique.

**⚠ AVERTISSEMENT****Risque de blessures dû à des substances, gaz et poussières toxiques**

Dans de rares cas, des dommages de pièces électroniques peuvent générer des substances, gaz et poussières toxiques dans le produit. Le contact avec des substances toxiques ainsi que l'inhalation de gaz et de poussières toxiques peuvent causer des irritations cutanées, des brûlures, des problèmes respiratoires et la nausée.

- Protégez le boîtier de la batterie contre les détériorations.
- N'ouvrez pas la batterie et ne la déformez pas.
- Ne jetez pas les batteries au feu. Les batteries peuvent exploser au contact du feu.
- Lors de l'exécution de travaux sur la batterie (recherche d'erreurs, réparations, par ex.), portez toujours un équipement de protection individuelle conçu pour manipuler des matières dangereuses (gants de protection, protection des yeux et du visage et masque respiratoire).
- En cas de projection d'acide, rincez longuement et soigneusement à l'eau claire et consultez un médecin.
- Si des vapeurs d'acide ont été inhalées, consultez immédiatement un médecin.
- Assurez-vous que les personnes non autorisées ne peuvent pas accéder au produit.
- Procédez à l'installation, l'exploitation, la maintenance et l'élimination de la batterie en respectant les consignes du fabricant.

### AVERTISSEMENT

#### Risque de blessure dû au poids du produit

Il existe un risque de blessure en cas de soulèvement incorrect et de chute des modules de produit lors du transport et du montage.

- Le produit doit être transporté et soulevé avec précaution. Prenez en compte le poids du produit.
- Transportez le produit séparément.
- Transportez et montez toujours le produit avec plusieurs personnes. Le nombre de personnes dépend des normes et des directives en vigueur sur place.
- Utilisez un moyen de transport approprié, un diable par exemple. Veillez ce faisant à ne pas endommager le boîtier des composants de batterie.
- Portez un équipement de protection individuelle adapté pour tous les travaux sur le produit, composé au moins de chaussures de sécurité à semelles anti-perforation et coque d'acier.

### ATTENTION

#### Risque de brûlure dû à des modules de batterie brûlants

Au cours du fonctionnement, le module de batterie peut devenir brûlant. Tout contact avec des modules de batterie chauds peut provoquer des brûlures.

- Attendez que les modules de batterie soient refroidis pour les toucher.

### ATTENTION

#### Risque de blessure sur les arêtes aiguës

Les composants de la batterie contiennent des pièces métalliques à bords tranchants. Tout contact avec des pièces métalliques à bords tranchants peut provoquer des blessures.

- Porter des gants de protection lors des opérations de montage et démontage de la batterie.

### PRUDENCE

#### Endommagement des modules de batterie par l'humidité ou des substances corrosives

La pénétration d'humidité ou de substances corrosives peut endommager le produit et en altérer le fonctionnement.

- Ne plongez pas les modules de batterie dans un liquide.
- N'exposez jamais les cellules de batterie à des substances corrosives (par ex. l'ammoniaque ou le sel).

### PRUDENCE

#### Endommagement du produit par des produits nettoyants

Dû à l'utilisation de produits nettoyants, le produit et des parties de celui-ci peuvent être endommagés.

- Nettoyez les composants de batterie uniquement avec un chiffon sec.










### 3 Matériel supplémentaire nécessaire (non compris dans la livraison)

#### **i** Câble de communication avec la batterie pour la connexion entre le SMA Home Storage et le Sunny Tripower Smart Energy

Pour la connexion entre le SMA Home Storage et le Sunny Tripower Smart Energy, un câble de communication avec la batterie préconfectionné doit être utilisé (numéro de commande SMA : HS-COM-CBL-3-10). Ce câble de communication avec la batterie dispose d'un connecteur RJ45 et d'un connecteur COM.

### 4 Symboles sur le produit

Symbole	Explication
	Avertissement concernant une zone de danger Ce symbole indique que le produit doit être mis à la terre de façon supplémentaire si une mise à la terre supplémentaire ou une liaison équipotentielle est nécessaire sur place.
	Avertissement de tension électrique dangereuse Le produit fonctionne avec des tensions élevées.
	Avertissement contre les dangers liés aux batteries Ce symbole indique les dangers dus à la manipulation des batteries.
	Avertissement, présence de substances explosibles Un maniement incorrect ou un incendie peut provoquer une inflammation ou une explosion du produit.
	Avertissement, présence de substances corrosives Le produit contient des substances corrosives susceptibles de provoquer de graves blessures si elles entrent en contact direct avec la peau.
	Respect de la documentation Tenez compte de tous les documents fournis avec le produit.
	Utilisation d'une protection oculaire Portez une protection oculaire pour tous les travaux à effectuer sur l'appareil.
	Aucune flamme nue Il est interdit de manier des flammes nues ou des sources d'allumage à proximité immédiate du produit.

Symbole	Explication
	Accès interdit aux enfants Les enfants ne doivent pas manipuler le produit et doivent être tenus éloignés de ce dernier.
	Mise à la terre Ce symbole signale l'emplacement du raccordement des conducteurs de protection supplémentaires.
	Marquage DEEE N'éliminez pas le produit avec les ordures ménagères ordinaires, mais conformément aux prescriptions d'élimination en vigueur pour les déchets d'équipements électriques et électroniques en vigueur sur le lieu d'installation.
	Le produit est approprié au montage en extérieur.
<b>IP65</b>	Indice de protection IP65 Le produit est protégé contre la pénétration de poussière et d'eau projetée en jet de toutes les directions sur le boîtier.
<b>CE</b>	Marquage CE Le produit est conforme aux exigences des directives européennes applicables.
<b>UK CA</b>	Marquage UKCA Le produit répond aux règlements des lois en vigueur en Angleterre, au Pays de Galles et en Écosse.
	Marquage RoHS Le produit est conforme aux exigences des directives européennes applicables.
	RCM (Regulatory Compliance Mark) Le produit est conforme aux exigences des directives australiennes.

## 5 Transport

Ce chapitre contient les consignes de sécurité qui doivent être respectées lors du transport de la batterie.

### ATTENTION

#### Risque de blessures dû à un transport inapproprié

La batterie peut glisser ou basculer en cas de transport inapproprié ou de sécurisation insuffisante lors du transport. Le glissement ou le basculement de la batterie pendant le transport peut provoquer des blessures.

- Transportez et soulevez la batterie. Prenez en compte le poids de la batterie.
- Positionnez la batterie dans le véhicule et empêchez-la de glisser.
- Empêchez la batterie de glisser et de basculer avec des sangles par exemple.
- Portez toujours un équipement de protection individuelle adapté pour tous les travaux exécutés sur la batterie.

Le SMA Home Storage (HS-BM-3.28-10) est une marchandise dangereuse : batterie lithium-ion UN 3480, classe 9 (désignation de marchandises dangereuses UN 3480, classe de danger 9). Les consignes de sécurité relatives à la batterie doivent être respectées (voir l'Information technique « SMA HOME STORAGE - Safety Information » sur [www.SMA-Solar.com](http://www.SMA-Solar.com)).

Respectez impérativement toutes les exigences du décret concernant le transport des produits dangereux sur route, sur rail et sur voies fluviales (Gefahrgutverordnung Straße, Eisenbahn und Binnenschifffahrt (GGVSEB)), ainsi que celles de l'accord européen relatif au transport international des marchandises dangereuses par route (ADR) :

- Chargez uniquement des personnes dûment formées et instruites de transporter les modules de batterie sur route.
- Documentez les formations et répétez-les.
- Il est interdit de fumer dans les véhicules pendant le trajet.
- Il est interdit de fumer lors du chargement et du déchargement du véhicule, que soit dans le véhicule ou à proximité de celui-ci.
- Il est interdit d'ouvrir l'emballage extérieur du module de batterie au cours du transport.
- Durant le transport, il convient d'emporter 1 équipement pour matières dangereuses conforme à l'ADR et 2 extincteurs pour feux de métaux préalablement vérifiés. Les extincteurs doivent répondre aux critères de la classe de feux D (capacité minimum 2 kg).

## 6 Déclaration de conformité UE

selon les directives UE

- Compatibilité électromagnétique 2014/30/UE (29/03/2014 L 96/79-106) (CEM)
- Directive basse tension 2014/35/UE (29/03/2014 L 96/357-374) (DBT)
- Limitation de l'utilisation de certaines substances dangereuses 2011/65/UE (08/06/2011 L 174/88) et 2015/863/EU (31/03/2015 L 137/10) (RoHS)



Par la présente, SMA Solar Technology AG déclare que les produits décrits dans ce document sont conformes aux exigences essentielles et aux autres dispositions pertinentes des directives citées ci-dessus. Pour obtenir des informations complémentaires sur la disponibilité de la déclaration de conformité complète, consulter <https://www.sma.de/en/ce-ukca>.

## 7 Déclaration de conformité UK

selon les règlements en vigueur en Angleterre, au pays de Galles et en Écosse

- Electromagnetic Compatibility Regulations 2016 (SI 2016/1091)
- Electrical Equipment (Safety) Regulations 2016 (SI 2016/1101)
- The Restriction of the Use of Certain Hazardous Substances in Electrical and Electronic Equipment Regulations 2012 (SI 2012/3032)



Par la présente, SMA Solar Technology AG déclare que les produits décrits dans ce document sont conformes aux exigences essentielles et aux autres dispositions pertinentes des directives citées ci-dessus. Pour obtenir des informations complémentaires sur la disponibilité de la déclaration de conformité complète, consulter <https://www.sma.de/en/ce-ukca>.

### **SMA Solar UK Ltd.**

Countrywide House  
23 West Bar, Banbury  
Oxfordshire, OX16 9SA  
United Kingdom

## Jogi rendelkezések

A jelen dokumentumokban található információk az SMA Solar Technology AG tulajdonát képezik. Jelen dokumentum egyetlen részét sem szabad sokszorosítani, adatvisszanyerési rendszerben tárolni vagy más módon (elektronikusan, mechanikai úton történő fénymásolattal vagy rögzítéssel) továbbítani az SMA Solar Technology AG előzetes írásos engedélye nélkül. Az üzemen belüli sokszorosítás, amely a termék értékelését vagy a szakszerű használatot szolgálja, megengedett, nem szükséges hozzá engedély.

Az SMA Solar Technology AG nem vállal kötelezettséget vagy garanciát, kifejezetten vagy hallgatólagosan, bármilyen dokumentáció vagy az abban ismertetett szoftverek és tartozékok vonatkozásában. Ide tartozik többek között (a teljesség igénye nélkül) a piacképesség és az adott célnak megfelelő felhasználhatóság hallgatólagos garantálása. Ezúton kifejezetten kizárunk minden vonatkozó kötelezettségvállalást vagy garanciát. Az SMA Solar Technology AG és szaktereskedői semmilyen körülmények között nem felelnek esetleges közvetlen vagy közvetett, véletlen következményes veszteségekért vagy károkért.

A hallgatólagos garanciák fent említett kizárása nem minden esetben alkalmazható.

A specifikációk változtatásának joga fenntartva. Mindent megtettünk a jelen dokumentum lehető legnagyobb körültekintéssel történő összeállítása és naprakésszé tétele érdekében. Arra azonban kifejezetten felhívjuk az olvasók figyelmét, hogy az SMA Solar Technology AG fenntartja a jogot a specifikációk előzetes értesítés nélküli, ill. a meglévő szállítási szerződés megfelelő meghatározásai szerinti olyan változtatásaira, amelyek a termékjavítást szolgálják, és figyelembe veszik a felhasználói tapasztalatokat. Az SMA Solar Technology AG nem vállal felelősséget esetleges közvetlen vagy közvetett, véletlen következményes veszteségekért vagy olyan károkért, amelyek a jelen anyagba vetett bizalomból származnak, többek között információk kihagyása, elgépelések, számítási hibák vagy a jelen dokumentum szerkezeti hibái miatt.

### SMA garancia

Az aktuális garanciafeltételeket az [www.SMA-Solar.com](http://www.SMA-Solar.com) weboldáról töltheti le.

### Védjegyek

Minden védjegy elismert, még akkor is, ha nincs külön jelölve. A hiányzó jelölés nem jelenti azt, hogy az áru vagy jel szabad lenne.

### SMA Solar Technology AG

Sonnenallee 1

D 34266 Niestetal

Németország

Tel. +49 561 9522-0

Fax +49 561 9522-100

[www.SMA.de](http://www.SMA.de)

E-mail: [info@SMA.de](mailto:info@SMA.de)

Állapot: 2024. 02. 15.

Copyright © 2023 SMA Solar Technology AG. Minden jog fenntartva.

# 1 Tudnivalók a jelen dokumentumhoz

## 1.1 Hatály

Ez a dokumentum a következőkre érvényes:

- HS-BM-3.28-10 (SMA Home Storage 3.2)

## 1.2 Célcsoport

A jelen dokumentumban ismertetett tevékenységeket csak szakemberek végezhetik el. A szakembereknek a következő képzettséggel kell rendelkezniük:

- Inverterek működéséhez és használatához szükséges ismeretek
- Akkumulátorok működéséhez és használatához szükséges ismeretek
- Elektromos készülékek és berendezések összeszerelések, javításakor és kezelésekor felmerülő veszélyekkel és kockázatokkal kapcsolatos oktatás
- Elektromos készülékek és berendezések összeszereléséhez és üzembe helyezéséhez szükséges képzés
- Az érvényes törvények, rendelkezések, szabványok és irányelvek ismerete
- A jelen dokumentum és a benne foglalt összes biztonsági információ ismerete és betartása

## 1.3 A dokumentum tartalma és szerkezete

Ez a dokumentum általános és a biztonsággal kapcsolatos információkat, valamint illusztrált útmutatót tartalmaz a telepítéshez és az üzembe helyezéshez (lásd a 141. oldalt). Vegye figyelembe az összes információt, és hajtsa végre az ábrákkal bemutatott műveleteket az előírt sorrendben.

A jelen dokumentum aktuális verzióját, valamint a telepítés, üzembe helyezés, konfiguráció és üzemben kívül helyezés PDF-formátumú részletes útmutatóját itt találja: [www.SMA-Solar.com](http://www.SMA-Solar.com).

A dokumentumban látható ábrák a legfontosabb részleteket illusztrálják, így a tényleges terméktől eltérhetnek.

## 1.4 Figyelmeztetési fokozatok

A következő figyelmeztetési fokozatok vannak érvényben a termék használata során.

### VESZÉLY

Olyan figyelmeztetést jelöl, amelynek figyelmen kívül hagyása súlyos sérülésekhez vagy halálhoz vezet.

### FIGYELMEZTETÉS

Olyan figyelmeztetést jelöl, amelynek figyelmen kívül hagyása súlyos sérülésekhez vagy halálhoz vezethet.



**! VIGYÁZAT**

Olyan figyelmeztetést jelöl, amelynek figyelmen kívül hagyása könnyű vagy közepes mértékű sérüléshez vezethet.

**FIGYELEM**

Olyan figyelmeztetést jelöl, amelynek figyelmen kívül hagyása anyagi károkhoz vezethet.

## 1.5 Szimbólumok a dokumentumban

Szimbólum	Magyarázat
	Információ, amely egy bizonyos témához vagy célhoz fontos, a biztonság szempontjából viszont nem lényeges
	Fejezet, amelyben a telepítés és üzembe helyezés ábrákkal van illusztrálva

## 2 Biztonság

### 2.1 Rendeltetésszerű használat

Az SMA Home Storage egy vagy több akkumulátormodulból álló rendszer, mely a háztartási SMA Home Storage Solution rendszer részeként alkalmazható, pl. az önfogyasztás optimalizálása céljából.

Az alkalmazott inverter kommunikációs interfészének kompatibilisnek kell lennie a termékkel. A teljes feszültségtartománynak az inverter engedélyezett bemenetifeszültség-tartományán belül kell lennie. Az termék megengedett maximális DC bemeneti feszültségét tilos túllépni.

Az akkumulátor és az inverter közötti DC-ágba nem szabad további fogyasztókat, ill. egyéb áramköri elemeket beiktatni.

A termék kültéri és beltéri használatra alkalmas.

A termék kizárólag helyhez kötött berendezésként használható.

Mindig tartsa be az összes komponens megengedett üzemi tartományát és telepítési követelményét.

A termék nem alkalmas életfenntartó orvosi készülékek ellátására. Áramkimaradás ne vezessen személyi sérüléshez.

A terméket csak olyan országokban szabad használni, ahol engedélyezték, vagy ahol az SMA Solar Technology AG és a hálózatiüzemeltető jóváhagyta a használatát.

A SMA Solar Technology AG termékei nem alkalmasak a következő helyeken történő felhasználásra:

- orvostechikai eszközök, különösen az életfenntartó rendszerek és gépek ellátására szolgáló termékek,
- repülőgépek, a repülőgépek üzemeltetése, a kritikus repülőtéri infrastruktúra és a repülőtéri rendszerek ellátása,

- vasúti járművek, a vasúti járművek, valamint kritikus infrastruktúrájuk üzemeltetése és ellátása.

A fenti lista nem teljes. Vegye fel velünk a kapcsolatot, ha nem biztos abban, hogy az Ön alkalmazásához megfelelőek-e a SMA Solar Technology AG termékei.

Az SMA termékeket kizárólag a mellékelt dokumentációk adatai és a helyileg érvényes törvények, rendelkezések, előírások és szabványok szerint szabad használni. Ettől eltérő használat személyi sérülésekhez és anyagi károkhoz vezethet.

Az SMA termékeken beavatkozást, például módosítást és átépítést, csak az SMA Solar Technology AG kifejezett írásos engedélyével szabad végezni. A nem engedélyezett beavatkozások a garancia és a szavatosság megszűnéséhez, valamint rendszerint a típusjövahagyás megszűnéséhez vezetnek. Az SMA Solar Technology AG nem vállal felelősséget az ilyen beavatkozásokból származó károkért.

A termék rendeltetészerű használatától eltérő bármilyen jellegű használata nem rendeltetészerűnek minősül.

A mellékelt dokumentációk a termék részét képezik. A dokumentációkat olvassa el, vegye figyelembe, mindig tartsa kéznél, és tartsa száraz helyen.

Jelen dokumentum nem helyettesíti azokat a regionális, tartományi, megyei, szövetségi vagy nemzeti törvényeket, valamint előírásokat vagy szabványokat, amelyek a termék telepítésére, elektromos biztonságára és használatára vonatkoznak. Az SMA Solar Technology AG nem vállal felelősséget ezeknek a törvényeknek vagy a termék telepítésével összefüggő rendelkezéseknek betartásáért, ill. be nem tartásáért.

A típustáblát tilos eltávolítani a termékről.

## 2.2 Fontos biztonsági utasítások

Őrizze meg az utasítást.

A jelen fejezet olyan biztonsági utasításokat tartalmaz, amelyeket minden munka során mindig be kell tartani.

A termék tervezése és ellenőrzése nemzetközi biztonsági követelmények szerint zajlott. A gondos gyártás ellenére számoljon fennmaradó kockázatokkal, mint minden elektromos vagy elektronikus készülék esetében. A személyi sérülések és anyagi károk elkerülése, valamint a termék tartós működésének biztosítása érdekében olvassa el figyelmesen a jelen fejezetet, és mindig tartsa be a benne foglalt biztonsági utasításokat.

### VESZÉLY

#### **Életveszély feszültség alatt álló DC-kábelek megérintése esetén bekövetkező áramütés miatt**

Az akkumulátorhoz csatlakoztatott DC-kábelek feszültség alatt állhatnak. A feszültség alatt álló DC-kábelek megérintése áramütés okozta súlyos sérülésekhez vagy halálhoz vezet.

- Minden munka előtt feszültségmentesítse a terméket és az invertert, és biztosítsa azokat visszakapcsolás ellen.
- Tilos megérinteni a szabadon álló, feszültség alatt lévő alkatrészeket vagy kábeleket.
- Terhelés alatt tilos leválasztani a DC-csatlakozókat.
- Viseljen megfelelő egyéni védőfelszerelést a terméken végzendő valamennyi munka során.



**⚠ VESZÉLY****Életveszély sérült védővezető esetén feszültség alatt álló készülékrészek megérintésekor bekövetkező áramütés miatt**

Ha a DC-csatlakozó védővezetője sérült vagy nincs helyesen csatlakoztatva, a termék házán nagy feszültségek léphetnek fel. A feszültség alatt álló házrészek megérintése áramütés okozta életveszélyes vagy halálos sérülésekhez vezet.

- Csatlakoztassa a DC-csatlakozó védővezetőjét a jelen dokumentum leírása szerint.

**⚠ VESZÉLY****Életveszély az akkumulátorok szakszerűtlen kezelése okozta tűz vagy robbanás miatt**

Az akkumulátormodulok szakszerűtlen kezelése esetén a lítium begyulladhat az akkumulátormodul belsejében. Ilyenkor tűz keletkezhet, vagy robbanásra kerülhet sor. Ez halálos vagy életveszélyes sérüléseket okozhat a forró vagy kirepülő részek miatt.

- Hibás, ill. sérült akkumulátormodult szigorúan tilos felhasználni.
- Az akkumulátormodulokat felnyitni, felszúrni, leejteni tilos.
- Az akkumulátormodulokat tilos robbanásveszélyes, ill. magas páratartalmú területen felszerelni és üzemeltetni.
- Az akkumulátormodulokat tilos magas hőmérsékletnek kitenni.
- Az akkumulátormodulokat tilos tűzbe dobni.
- Az akkumulátormodulokat száraz helyen, az előírt hőmérséklet határok között kell tárolni.
- Az akkumulátorból kiinduló tűz esetén azonnal értesíteni kell a tűzoltóságot. Az ilyen tűz oltása a mérgező gázok, a robbanásveszély és a gyors terjedés miatt kockázatos.
- Az akkumulátor környezetében kiütött tűz esetén ABC tűzoltó készüléket kell használni.

**⚠ VESZÉLY****Életveszély földzárlat esetén feszültség alatt álló berendezésrészek megérintésekor bekövetkező áramütés miatt**

Földzárlat esetén feszültség alatt állhatnak a berendezés részei. A feszültség alatt álló alkatrészek vagy kábelek megérintése áramütés okozta életveszélyes sérülésekhez vagy halálhoz vezet.

- Minden munka előtt feszültségmentesítse a terméket és az invertert, és biztosítsa azokat visszakapcsolás ellen.
- Tilos megérinteni az alépítmény részeit.

**⚠ VESZÉLY****Életveszély nyitott termék feszültség alatt álló alkatrészeinek megérintése esetén bekövetkező áramütés miatt**

A terméken belüli áramvezető alkatrészek és kábelek üzem közben magas feszültség alatt állnak. A feszültség alatt álló alkatrészek vagy kábelek megérintése áramütés okozta életveszélyes sérülésekhez vagy halálhoz vezet.

- Ne nyissa ki a terméket.

**⚠ FIGYELMEZTETÉS****Áramütés általi életveszély valamely mérőműszer túlfeszültség miatti meghibásodása esetén**

A túlfeszültség károsíthatja a mérőműszereket, és ennek következtében előfordulhat, hogy a mérőműszer háza feszültség alatt áll. A feszültség alatt álló mérőműszerház megérintése áramütés okozta életveszélyes sérülésekhez vagy halálhoz vezet.

- Csak olyan mérőműszereket szabad használni, amelyek DC bemeneti feszültsége legalább 1500 V vagy annál magasabb.

**⚠ FIGYELMEZTETÉS****Égés következtében való életveszély rövidzárlatok áramai általi elektromos ívek keletkezésekor**

Az akkumulátor rövidzárlati áramai hőképződést és elektromos íveket okozhatnak. A hőképződések és elektromos ívek égés általi életveszélyes sérülésekhez vezethetnek.

- Az akkumulátoron végzett bármely munka előtt feszültségmentesítse az akkumulátort.
- Az órákat, gyűűket és más fémtárgyakat le kell venni az akkumulátoron végzett munkák előtt.
- Az akkumulátoron végzett összes munkához szigetelt szerszámot és szigetelt kesztyűt kell használni.
- Ne helyezzen szerszámokat vagy fém alkatrészeket az akkumulátorra.

**⚠ FIGYELMEZTETÉS****Életveszély tűz vagy robbanás miatt teljesen lemerült akkumulátorok esetén**

A teljesen lemerült akkumulátorok helytelen feltöltése esetén tűz keletkezhet. Ez súlyos sérülésekhez vagy halálhoz vezethet.

- Az akkumulátort a kiszállításától számított legkésőbb 6 hónapon belül üzembe kell helyezni.
- Ha az akkumulátort nem helyezik üzembe 6 hónapon belül, akkor a szerviztől kérelmezni kell az akkumulátoros tárolórendszer ciklusjavítását.
- A rendszer üzembe helyezése előtt győződjön meg róla, hogy az akkumulátor nincs teljesen lemerülve.
- Ha az akkumulátor teljesen lemerült, ne helyezze üzembe a rendszert.
- Az akkumulátor mélykisülése esetén a szervizhez kell fordulni.

**⚠ FIGYELMEZTETÉS****Sérülésveszély mérgező anyagok, gázok és porok miatt**

Ritkán előfordulhat, hogy az elektronikus alkatrészek meghibásodása következtében mérgező anyagok, gázok és porok keletkeznek a termék belsejében. A mérgező anyagok megérintése, valamint a mérgező gázok és porok belélegzése bőrirritációhoz, bőrmaráshoz, légzési zavarokhoz és rosszulléthez vezethet.

- Az akkumulátor házát védeni kell a sérüléstől.
- Az akkumulátort tilos felnyitni, ill. deformálódásnak kitenni.
- Az akkumulátorokat tilos tűzbe dobni. Az akkumulátorok a tűzben felrobbanhatnak.
- Az akkumulátoron szükséges munkák (pl. hibakeresés, javítási munkák) során viseljen mindig a veszélyes anyagokkal való bánásmóddhoz alkalmas egyéni védőfelszerelést (pl. védőkesztyűt, szem- és arcvédőt, valamint légzésvédő álarcot).
- A kifröccsenő savat hosszan és alaposan öblítse le tiszta vízzel, majd azonnal forduljon orvoshoz.
- Savgőz belélegzése esetén azonnal forduljon orvoshoz.
- Biztosítsa, hogy illetéktelenek ne férjenek hozzá a termékhez.
- Az akkumulátort a gyártói előírásoknak megfelelően kell telepíteni, üzemeltetni, karbantartani és ártalmatlanítani.

**⚠ FIGYELMEZTETÉS****Sérülésveszély a termék súlya miatt**

Ha szállítás közben vagy szereléskor helytelenül emelik meg vagy leejtik az akkumulátormodult, sérülésveszély áll fenn.

- Óvatosan szállítsa és emelje a terméket. Közben ügyeljen a termék súlyára.
- A termékeket csak egyesével szabad szállítani.
- A terméket mindig több személy szállítsa és szerelje fel. Ennek során a személyek számát a helyileg érvényes szabványok és irányelvek határozzák meg.
- Megfelelő szállítóeszközt, pl. molnárkocsit kell használni. Szállításkor az akkumulátor részegységeinek háza nem károsodhat.
- Megfelelő egyéni védőfelszerelést kell viselni a terméken végzendő valamennyi munka során: ez legalább szúrásbiztos talpú, acélbetétes védőlábbelit jelent.

**⚠ VIGYÁZAT****Égési sérülés veszélye a forró akkumulátormodul miatt**

Az akkumulátormodul üzem közben felforrósodhat. A forró akkumulátormodulok megérintése égési sérülésekhez vezethet.

- Mielőtt hozzáérne, várja meg, hogy kihűljenek az akkumulátormodulok.

**⚠ VIGYÁZAT****Sérülésveszély az éles peremek miatt**

Az akkumulátor részegységei éles peremű lemezeket tartalmaznak. Az éles peremű lemezek megérintése sérülést okozhat.

- Az akkumulátor össze- és szétszereléséhez védőkesztyűt kell viselni.

**FIGYELEM****Az akkumulátormodulok károsodása nedvesség, ill. korrozív hatású anyagok miatt**

A termék nedvesség, ill. korrozív anyagok bejutása miatt károsodhat és működésképtelenné válhat.

- Az akkumulátormodulokat nem szabad folyadékba meríteni.
- Az akkucellákat nem szabad korrozív anyagnak (pl. ammónia, só) kitenni.

**FIGYELEM****A termék károsodása tisztítószerrel miatt**

Tisztítószerrel használata károsíthatja a terméket vagy annak részeit.

- Az akkumulátor összes részegységét kizárólag száraz kendővel szabad tisztítani.







### 3 További szükséges anyagok (a szállítási terjedelem nem tartalmazza):

#### **i** Akkumulátor kommunikációs kábele, az SMA Home Storage és a Sunny Tripower Smart Energy közötti csatlakoztatáshoz

Az SMA Home Storage és a Sunny Tripower Smart Energy közötti csatlakoztatáshoz előre gyártott akkumulátor-kommunikációs kábelt kell használni (SMA rendelési szám: HS-COM-CBL-3-10). Ez az akkumulátor-kommunikációs kábel egy RJ45 és egy COM dugóval van ellátva.

### 4 Szimbólumok a terméken

Szimbólum	Magyarázat
	Figyelmeztetés veszélyes helyre Ez a szimbólum arra figyelmeztet, hogy a terméket földelni kell, ha a helyszínen kiegészítő földelésre vagy potenciál-kiegyenlítőre van szükség.
	Figyelmeztetés elektromos feszültségre A termék nagyfeszültségekkel dolgozik.
	Figyelmeztetés az akkumulátorok okozta veszélyekre Ez a szimbólum az akkumulátorok kezelésének veszélyességére hívja fel a figyelmet.
	Figyelmeztetés robbanásveszélyes anyagokra Szakszerűtlen használat, ill. tűz esetén a termék begyulladhat, ill. felrobbanhat.
	Figyelmeztetés maró anyagokra A termék maró hatású anyagokat tartalmaz, amelyek közvetlenül a bőrre kerülve súlyos sérülést okozhatnak.
	Dokumentációk figyelembevétele Vegye figyelembe a termékhez mellékelt összes dokumentációt.
	Védőszemüveg használata Az eszközön végzett összes munkához kötelező védőszemüveget használni.
	Nyílt láng tilos A nyílt lánggal, ill. gyújtóforrásokkal járó tevékenységek a termék környezetében tiltottak.

Szimbólum	Magyarázat
	Gyermekek számára tilos a hozzáférés Gyermekeket nem szabad a termék közelébe engedni.
	Földelés Ez a szimbólum a kiegészítő védővezetők csatlakoztatási helyét jelöli.
	WEEE-jelölés A terméket nem szabad a háztartási hulladék közé dobni, hanem a telepítési helyen az elektromos hulladékokra vonatkozó ártalmatlanítási előírásai szerint kell ártalmatlanítani.
	A termék alkalmas kültéri használatra.
<b>IP65</b>	IP65 védetség fokozat A termék teljes mértékben védett por ellen és kisnyomású vízsugár ellen védett minden irányból.
<b>CE</b>	CE-jelölés A termék megfelel a vonatkozó EU-irányelvek követelményeinek.
<b>UK CA</b>	UKCA-jelölés A termék megfelel Anglia, Wales és Skócia vonatkozó törvényeiben előírt rendelkezéseknek.
	RoHS-jelölés A termék megfelel a vonatkozó EU-irányelvek követelményeinek.
	RCM (Regulatory Compliance Mark) A termék megfelel a vonatkozó ausztrál szabványok követelményeinek.

## 5 Szállítás

A jelen fejezet olyan biztonsági utasításokat tartalmaz, amelyeket az akkumulátor szállítása során mindig be kell tartani.

### VIGYÁZAT

#### Szakszerűtlen szállítás okozta sérülésveszély

Szakszerűtlen szállítás, ill. hiányos szállítási biztosítás esetén az akkumulátor megcsúszhat, ill. felborulhat. A megcsúszó, felboruló akkumulátor sérülést okozhat.

- Óvatosan szállítsa és emelje az akkumulátort. Ügyeljen az akkumulátor súlyára.
- A járműben az akkumulátort csúszásmentes módon helyezze el.
- Az akkumulátort pl. rögzítőhevederekkel biztosítani kell megcsúszás, felborulás ellen.
- Megfelelő egyéni védőeszközöket kell viselni az akkumulátoron végzett valamennyi munka során.

Az SMA Home Storage (HS-BM-3.28-10) veszélyes árunak minősül a következő miatt: UN 3480 lítiumion-akkumulátor, 9. osztály (veszélyesáru-besorolás: UN 3480, 9. veszélyességi osztály). Az akkumulátor biztonsági információit be kell tartani (lásd Műszaki információk "SMA HOME STORAGE - Safety Information", a következő helyen: [www.SMA-Solar.com](http://www.SMA-Solar.com)).

Minden esetben be kell tartani a német közúti, vasúti és belvízi hajózási veszélyesáru-rendelet (GGVSEB), valamint a Veszélyes Áruk Nemzetközi Közúti Szállításáról szóló Megállapodás (ADR) összes előírását.

- Az akkumulátormodulokat közúton kizárólag betanított, képzett személyzet szállíthatja.
- A vonatkozó oktatást dokumentálni kell, és rendszeres időközönként meg kell ismételni.
- Menet közben a járműben dohányozni tilos.
- A jármű be- és kirakodásakor tilos a dohányzás magában a járműben, valamint annak közvetlen közelében egyaránt.
- Az akkumulátormodul csomagolását szállítás közben tilos felnyitni.
- Szállításakor 1 db ADR-megfelelőségű veszélyesáru-felszerelésnek, valamint 2 db bevizsgált, fémtüzekhez megfelelő tűzoltó készüléknek kell rendelkezésre állnia. A tűzoltó készülékeknek alkalmasnak kell lenniük a D tűzosztályhoz (minimális befogató képesség 2 kg).

## 6 EU-megfelelőségi nyilatkozat

az alábbi EU-irányelvek értelmében

- Elektromágneses összeférhetőség 2014/30/EU (2014. 03. 29. L 96/79-106) (EMC)
- Kisfeszültségű berendezések 2014/35/EU (2014. 03. 29. L 96/357-374) (LVD)
- Egyes veszélyes anyagok alkalmazásának korlátozása 2011/65/EU (2011. 06. 08. L 174/88) és 2015/863/EU (2015. 03. 31. L 137/10) (RoHS)



Az SMA Solar Technology AG ezennel kijelenti, hogy a jelen dokumentumban ismertetett termékek megfelelnek a fent nevezett irányelvek alapvető követelményeinek és egyéb fontos rendelkezéseinek. A teljes megfelelési nyilatkozat elérhetőségével kapcsolatos további információk a <https://www.sma.de/en/ce-ukca> honlapon olvashatók.

## 7 UK megfelelési nyilatkozat

Anglia, Wales és Skócia rendeleteinek megfelelően

- Electromagnetic Compatibility Regulations 2016 (SI 2016/1091)
- Electrical Equipment (Safety) Regulations 2016 (SI 2016/1101)
- The Restriction of the Use of Certain Hazardous Substances in Electrical and Electronic Equipment Regulations 2012 (SI 2012/3032)



Az SMA Solar Technology AG ezennel kijelenti, hogy a jelen dokumentumban ismertetett termékek megfelelnek a fent nevezett rendeletek alapvető követelményeinek és egyéb fontos rendelkezéseinek. A teljes megfelelési nyilatkozat elérhetőségével kapcsolatos további információk a <https://www.sma.de/en/ce-ukca> honlapon olvashatók.

### SMA Solar UK Ltd.

Countrywide House  
23 West Bar, Banbury  
Oxfordshire, OX16 9SA  
United Kingdom



## Disposizioni legali

Le informazioni contenute nella presente documentazione sono proprietà di SMA Solar Technology AG. Nessuna parte del presente documento può essere riprodotta, salvata in un sistema di recupero dati o trasmessa con altra modalità (elettronicamente, meccanicamente mediante copiatura o registrazione) senza previa autorizzazione scritta di SMA Solar Technology AG. La riproduzione per scopi interni all'azienda, destinata alla valutazione del prodotto o al suo corretto utilizzo, è consentita e non è soggetta ad approvazione.

SMA Solar Technology AG non fornisce alcuna assicurazione o garanzia, esplicita o sottintesa, in relazione a qualsiasi documentazione o software e accessori in essa descritti. In tal senso si intende tra l'altro la garanzia implicita del potenziale commerciale e l'idoneità per uno scopo specifico. Ci si oppone espressamente a qualsiasi assicurazione o garanzia. SMA Solar Technology AG e i suoi rivenditori non sono in alcun modo responsabili per eventuali perdite conseguenti o danni diretti o indiretti.

La suddetta esclusione di garanzie di legge implicite non si applica in altri casi.

Con riserva di modifiche delle specifiche. È stato fatto il possibile per redigere questo documento con la massima cura e per mantenerlo sempre aggiornato. Si comunica tuttavia espressamente ai lettori che SMA Solar Technology AG si riserva il diritto, senza preavviso e/o in conformità alle corrispondenti disposizioni del contratto di fornitura in essere, di apportare modifiche alle specifiche ritenute necessarie nell'ottica del miglioramento dei prodotti e delle esperienze dell'utente. SMA Solar Technology AG declina qualsiasi responsabilità per eventuali perdite conseguenti o danni indiretti e accidentale derivanti dal credito dato al presente materiale, inclusi l'omissione di informazioni, refusi, errori di calcolo o errori nella struttura del presente documento.

### Garanzia di SMA

È possibile scaricare le condizioni di garanzia aggiornate dal sito Internet [www.SMA-Solar.com](http://www.SMA-Solar.com).

### Marchi

Tutti i marchi sono riconosciuti anche qualora non distintamente contrassegnati. L'assenza di contrassegno non significa che un prodotto o un marchio non siano registrati.

### SMA Solar Technology AG

Sonnenallee 1

34266 Niestetal

Germania

Tel. +49 561 9522-0

Fax +49 561 9522-100

[www.SMA-Italia.com](http://www.SMA-Italia.com)

E-Mail: [info@SMA.de](mailto:info@SMA.de)

Aggiornamento: 15/02/2024

Copyright © 2023 SMA Solar Technology AG. Tutti i diritti sono riservati.

# 1 Note relative al presente documento

## 1.1 Ambito di validità

Il presente documento è valido per:

- HS-BM-3.28-10 (SMA Home Storage 3.2)

## 1.2 Destinatari

Le operazioni descritte nel presente documento devono essere eseguite esclusivamente da tecnici specializzati. Questi ultimi devono disporre delle seguenti qualifiche:

- Conoscenze in merito a funzionamento e gestione di un inverter
- Nozioni su funzionamento e uso delle batterie
- Training su pericoli e rischi durante l'installazione, la riparazione e l'uso di dispositivi elettrici, batterie e impianti
- Addestramento all'installazione e alla messa in servizio di apparecchi e impianti elettrici
- Conoscenza di leggi, regolamenti, norme e direttive in materia
- Conoscenza e rispetto del presente documento, comprese tutte le avvertenze di sicurezza

## 1.3 Contenuto e struttura del documento

Il presente documento contiene informazioni rilevanti per la sicurezza nonché istruzioni grafiche per l'installazione e la messa in servizio (vedere pagina 141). Attenersi a tutte le informazioni ed eseguire le operazioni rappresentate graficamente nella sequenza indicata.

L'attuale versione del presente documento, così come le istruzioni dettagliate per l'installazione, la messa in servizio, la configurazione e la messa fuori servizio sono disponibili in formato PDF sul sito [www.SMA-Solar.com](http://www.SMA-Solar.com).

Le figure nel presente documento sono limitate ai dettagli essenziali e possono non corrispondere al prodotto reale.

## 1.4 Livelli delle avvertenze di sicurezza

I seguenti livelli delle avvertenze di sicurezza possono presentarsi durante l'utilizzo del prodotto.

### PERICOLO

Identifica un'avvertenza di sicurezza la cui inosservanza provoca immediatamente la morte o lesioni gravi.

### AVVERTENZA

Identifica un'avvertenza di sicurezza la cui inosservanza può provocare la morte o lesioni gravi.



### ATTENZIONE

Identifica un'avvertenza di sicurezza la cui inosservanza può provocare lesioni leggere o medie.

**AVVISO**

Identifica un'avvertenza di sicurezza la cui inosservanza può provocare danni materiali.

**1.5 Simboli nel documento**

Simbolo	Spiegazione
	Informazioni importanti per un determinato obiettivo o argomento, non rilevanti tuttavia dal punto di vista della sicurezza
	Capitolo che raffigura graficamente l'installazione e la messa in servizio

**2 Sicurezza****2.1 Utilizzo conforme**

SMA Home Storage è un sistema costituito da uno o più moduli batteria e può essere utilizzato nella SMA Home Storage Solution per applicazioni domestiche, ad es. per l'ottimizzazione dell'autoconsumo.

L'interfaccia di comunicazione dell'inverter utilizzato deve essere compatibile con il prodotto.

L'intero range di tensione deve rientrare completamente nel range di tensione d'ingresso consentito dell'inverter. La massima tensione d'ingresso CC del prodotto consentita non deve essere superata.

Non devono essere installati utilizzatori aggiuntivi o componenti nel collegamento CC tra batteria e inverter.

Il prodotto è idoneo all'uso in ambienti sia esterni che interni.

Il prodotto può essere utilizzato esclusivamente come materiale di esercizio fisso in un determinato luogo.

Tutti i componenti devono sempre rispettare il range di valori consentiti e i requisiti di installazione.

Il prodotto non è adatto per l'alimentazione di apparecchiature mediche salvavita. Una eventuale interruzione di corrente non deve comportare alcun danno a persone.

Il prodotto può essere impiegato solo nei paesi per cui è omologato o autorizzato da SMA Solar Technology AG e dal gestore di rete.

I prodotti di SMA Solar Technology AG non sono adatti all'uso in

- dispositivi medici, in particolare prodotti per la fornitura di sistemi e macchine per il mantenimento in vita,
- aeromobili, l'operatività degli aeromobili, la fornitura di infrastrutture aeroportuali critiche e di sistemi aeroportuali,
- veicoli ferroviari, il funzionamento e la fornitura di veicoli ferroviari e le relative infrastrutture critiche.

L'elenco sopra riportato non è esaustivo. Contattateci se non siete sicuri che i prodotti di SMA Solar Technology AG questo sito siano adatti alla vostra applicazione.

Utilizzare i prodotti esclusivamente in conformità con le indicazioni fornite nella documentazione allegata nonché nel rispetto di leggi, disposizioni, direttive e norme vigenti a livello locale. Un uso diverso può provocare danni personali o materiali.

Gli interventi sul prodotto SMA, ad es. modifiche e aggiunte, sono consentiti solo previa esplicita autorizzazione scritta da parte di SMA Solar Technology AG. Eventuali interventi non autorizzati comportano l'estinzione dei diritti di garanzia e di regola come anche la revoca dell'autorizzazione di funzionamento. È esclusa ogni responsabilità di SMA Solar Technology AG per danni derivanti da tali interventi.

Non è consentito alcun utilizzo del prodotto diverso da quanto specificato nel capitolo "Utilizzo conforme".

La documentazione in allegato è parte integrante del prodotto. La documentazione deve essere letta, rispettata e conservata in un luogo asciutto in modo da essere sempre accessibile.

Il presente documento non sostituisce alcuna legge, direttiva o norma regionale, statale, provinciale o federale vigente per l'installazione, la sicurezza elettrica e l'utilizzo del prodotto. SMA Solar Technology AG declina qualsiasi responsabilità per il rispetto e/o il mancato rispetto di tali leggi o disposizioni legate all'installazione del prodotto.

La targhetta di identificazione deve essere applicata in maniera permanente sul prodotto.

## 2.2 Avvertenze di sicurezza importanti

Conservazione delle istruzioni

Il presente capitolo riporta le avvertenze di sicurezza che devono essere rispettate per qualsiasi operazione.

Il prodotto è stato progettato e testato conformemente ai requisiti di sicurezza internazionali. Pur essendo progettati accuratamente, tutti gli apparecchi elettrici o elettronici presentano rischi residui. Per evitare danni a cose e persone e garantire il funzionamento duraturo del prodotto, leggere attentamente il presente capitolo e seguire in ogni momento tutte le avvertenze di sicurezza.

### PERICOLO

#### **Pericolo di morte per folgorazione in caso di contatto con cavi CC sotto tensione**

I cavi CC collegati alla batteria possono essere sotto tensione. Il contatto con cavi CC sotto tensione causa lesioni gravi o mortali per folgorazione.

- Prima di qualsiasi intervento, togliere tensione al prodotto e all'inverter e assicurarlo contro la riattivazione.
- Non toccare alcun componente o cavo libero sotto tensione.
- Non disinserire i terminali CC sotto carico.
- Indossare dispositivi di protezione individuale idonei durante qualsiasi intervento sul prodotto.

**! PERICOLO****Pericolo di morte per folgorazione in caso di contatto con parti dell'involucro sotto tensione in presenza di conduttore di protezione danneggiato**

Se il conduttore di protezione del collegamento CC è danneggiato o non è stato collegato correttamente, possono essere presenti alte tensioni sull'involucro del prodotto. Il contatto con elementi dell'involucro sotto tensione può determinare la morte o lesioni mortali per folgorazione.

- Collegare un conduttore di protezione per il collegamento CC come descritto in questo documento.

**! PERICOLO****Pericolo di morte per incendio o esplosione a causa di un'errata movimentazione dei moduli batteria**

In caso di errata movimentazione dei moduli batteria, il litio all'interno dei moduli batteria può incendiarsi. Ciò può provocare un incendio o un'esplosione. Pezzi bollenti o proiettati possono causare la morte o lesioni potenzialmente mortali.

- Non utilizzare mai moduli batteria difettosi o danneggiati.
- Non aprire, forare o lasciare cadere i moduli batteria.
- Non montare né mettere in funzione i moduli batteria in aree a rischio di esplosione o in luoghi con un'elevata umidità.
- Non esporre i moduli batteria a temperature elevate.
- Non gettare i moduli batteria tra le fiamme.
- Asciugare i moduli batteria e conservarli entro l'intervallo di temperatura previsto.
- Se la batteria dà origine a un incendio, contattare immediatamente i vigili del fuoco. Estinguere l'incendio costituisce un grave pericolo a causa di gas tossici, pericolo di esplosione e propagazione rapida.
- In caso di incendio in prossimità della batteria utilizzare un estintore ABC.

**! PERICOLO****Pericolo di morte per folgorazione in caso di contatto con parti dell'impianto sotto tensione in presenza di una dispersione verso terra**

Nella dispersione verso terra i componenti dell'impianto potrebbero essere sotto tensione. Il contatto con cavi sotto tensione o cavi può determinare la morte o lesioni mortali per folgorazione.

- Prima di qualsiasi intervento, togliere tensione al prodotto e all'inverter e assicurarli contro la riattivazione.
- Non toccare le parti della sottostruttura.

**⚠ PERICOLO****Pericolo di morte per folgorazione in caso di contatto con componenti sotto tensione nel prodotto aperto**

Durante il funzionamento sui componenti sotto tensione e cavi nell'interno del prodotto sono presenti tensioni elevate. Il contatto con cavi sotto tensione o cavi può determinare la morte o lesioni mortali per folgorazione.

- Non aprire il prodotto.

**⚠ AVVERTENZA****Pericolo di morte per folgorazione in caso di danneggiamento irreparabile dell'apparecchio di misurazione dovuto a sovratensione**

Una sovratensione può danneggiare un apparecchio di misurazione e causare la presenza di tensione sull'involucro dell'apparecchio di misurazione. Il contatto con l'involucro sotto tensione dell'apparecchio di misurazione causa la morte o lesioni mortali per folgorazione.

- Impiegare soltanto apparecchi di misurazione con un range di tensione d'ingresso CC fino ad almeno 1500 V o superiore.

**⚠ AVVERTENZA****Pericolo di morte per ustioni in caso di archi voltaici o correnti di cortocircuito**

Le correnti di cortocircuito della batteria possono generare calore e archi voltaici. Calore estremo e archi voltaici possono causare lesioni mortali a seguito di ustioni.

- Prima di qualsiasi intervento sulla batteria disinserire la tensione.
- Prima di qualsiasi intervento sulla batteria, togliere orologi, anelli e altri oggetti metallici.
- Per qualsiasi intervento sulla batteria utilizzare un utensile isolato e guanti isolati.
- Non appoggiare attrezzi o componenti metallici sulla batteria.

**⚠ AVVERTENZA****Pericolo di morte per incendio o esplosione in caso di batterie completamente scariche**

Pericolo d'incendio in caso di caricamento errato di batterie completamente scariche. Rischio di morte o di gravi lesioni

- Mettere in funzione la batteria al più tardi entro 6 mesi dalla fornitura.
- Se la batteria non viene messa in funzione entro 6 mesi, è possibile richiedere una ciclizzazione successiva del sistema a batteria presso il Servizio di assistenza tecnica SMA.
- Prima di mettere in servizio il sistema accertarsi che la batteria non sia completamente scarica.
- Non mettere in servizio il sistema se la batteria è completamente scarica.
- Se la batteria presenta una scarica profonda, contattare il Servizio di assistenza tecnica SMA.

**⚠ AVVERTENZA****Pericolo di lesioni a causa di sostanze, polveri e gas tossici**

In rari casi isolati il danneggiamento di componenti elettronici può causare la produzione di sostanze, polveri e gas tossici all'interno del prodotto. Il contatto con sostanze tossiche e l'inalazione di polveri e gas tossici può causare irritazioni, corrosioni cutanee disturbi respiratori e nausea.

- Proteggere l'involucro della batteria.
- Non aprire o deformare la batteria.
- Non gettare le batterie nel fuoco. Le batterie possono esplodere nel fuoco.
- Eseguire interventi sulla batteria (ad es. ricerca degli errori, riparazioni) solo utilizzando dispositivi di protezione individuale per l'utilizzo di sostanze pericolose (ad es. guanti protettivi, protezioni per occhi, viso e vie respiratorie).
- Sciacquare a lungo e abbondantemente gli spruzzi di acido con acqua pulita e consultare il medico.
- Se sono stati inspirati vapori acidi, consultare immediatamente un medico.
- Accertarsi che nessuna persona non autorizzata possa accedere al prodotto.
- Installare, mettere in funzione, sottoporre a manutenzione e smaltire la batteria in base alle istruzioni del produttore.

**⚠ AVVERTENZA****Pericolo di lesioni a causa del peso del prodotto**

In caso di tecnica di sollevamento errata o di caduta dei moduli batteria durante il trasporto o il montaggio sussiste il pericolo di infortuni.

- Trasportare e sollevare il prodotto con attenzione. Tenere in considerazione il peso del prodotto.
- Trasportare il prodotto solo singolarmente.
- Il prodotto deve essere trasportato e montato sempre da varie persone. Il numero di persone dipende dalle norme e dalle direttive vigenti a livello locale.
- Utilizzare un mezzo di trasporto adatto, ad es. un carrello. Durante il trasporto non danneggiare l'involucro dei componenti della batteria.
- Per tutti gli interventi sul prodotto indossare appositi dispositivi di protezione individuale, come minimo scarpe antinfortunistiche con suola antiperforazione e punta in acciaio.

**⚠ ATTENZIONE****Pericolo di ustioni dovute a moduli batteria caldi**

Durante il funzionamento il modulo batteria può surriscaldarsi. Il contatto con i moduli batteria incandescenti può causare ustioni.

- Prima di toccare il modulo batteria, attendere che i moduli batteria si siano raffreddati.

**ATTENZIONE**

**Pericolo di lesioni a causa dei bordi taglienti**

I componenti della batteria contengono parti in lamiera taglienti. Il contatto con le parti in lamiera taglienti può causare lesioni.

- Durante il montaggio e lo smontaggio della batteria indossare guanti protettivi.

**AVVISO**

**Danneggiamento dei moduli batteria a causa di umidità o sostanze corrosive**

L'infiltrazione di umidità o sostanze corrosive può danneggiare il prodotto e pregiudicarne il funzionamento.

- Non immergere i moduli batteria in un liquido.
- Non esporre le celle della batteria a sostanze corrosive (ad es. ammoniacca, sale).

**AVVISO**

**Danneggiamento del prodotto dovuto a detersivi**

L'uso di detersivi può danneggiare il prodotto e parti del prodotto.



- Pulire tutti i componenti della batteria solo con un panno asciutto.

### 3 Altro materiale necessario (non compreso nel contenuto della fornitura)

**i** **Cavo di comunicazione della batteria per il collegamento fra SMA Home Storage e Sunny Tripower Smart Energy**





Per il collegamento fra SMA Home Storage e Sunny Tripower Smart Energy si deve utilizzare un cavo di comunicazione della batteria preconfezionato (codice di ordinazione SMA: HS-COM-CBL-3-10). Questo cavo di comunicazione della batteria è dotato di un connettore RJ45 e di un connettore COM.

### 4 Simboli sul prodotto

Simbolo	Spiegazione
	Avvertenza in presenza di punti di pericolo Questo simbolo segnala che il prodotto deve essere ulteriormente messo a terra se a livello locale è richiesta un'ulteriore messa a terra o un collegamento equipotenziale.
	Avvertenza per tensione elettrica Il funzionamento del prodotto comporta tensioni elevate.



Simbolo	Spiegazione
	Avvertenza di pericoli dovuti alle batterie Il simbolo indica la pericolosità dell'utilizzo di batterie.
	Avviso di sostanze esplosive In caso di movimentazione errata o in caso di incendio, il prodotto può incendiarsi o esplodere.
	Avvertenza sulle sostanze corrosive Il prodotto contiene sostanze corrosive che, in caso di contatto diretto con la pelle, possono causare gravi lesioni.
	Rispettare la documentazione Rispettare tutta la documentazione fornita assieme al prodotto.
	Indossare occhiali protettivi Durante i lavori sull'apparecchio utilizzare occhiali protettivi.
	Divieto di fiamme libere È vietato utilizzare fiamme libere o fonti di ignizione nelle immediate vicinanze del prodotto.
	Accesso vietato ai bambini Tenere i bambini lontani dal prodotto.
	Messa a terra Questo simbolo indica il punto per il collegamento di conduttori di protezione aggiuntivi.
	Marchio RAEE Non smaltire il prodotto con i comuni rifiuti domestici ma nel rispetto delle direttive sullo smaltimento dei componenti elettronici in vigore nel luogo di installazione.
	Il prodotto è idoneo al montaggio esterno.
<b>IP65</b>	Grado di protezione IP65 Il prodotto è protetto da infiltrazioni di polvere e acqua proiettata all'involucro come getto d'acqua da tutte le direzioni.

Simbolo	Spiegazione
	<p>Marchatura CE</p> <p>Il prodotto soddisfa i requisiti previsti dalle direttive UE in vigore.</p>
	<p>Marchatura UKCA</p> <p>Il prodotto è conforme ai regolamenti delle leggi vigenti in Inghilterra, Galles e Scozia.</p>
	<p>Marchatura RoHS</p> <p>Il prodotto soddisfa i requisiti previsti dalle direttive UE in vigore.</p>
	<p>RCM (Regulatory Compliance Mark)</p> <p>Il prodotto soddisfa i requisiti previsti dalle direttive australiane in materia.</p>

## 5 Trasporto

Il presente capitolo riporta le avvertenze di sicurezza che devono essere rispettate per il trasporto della batteria.

### ATTENZIONE

#### Pericolo di lesioni causate dal trasporto errato

Un trasporto errato o un fissaggio insufficiente durante trasporto può causare lo scivolamento o il ribaltamento della batteria. Lo scivolamento o il ribaltamento della batteria può causare lesioni.

- Trasportare e sollevare con attenzione la batteria. Tenere in considerazione il peso della batteria.
- Posizionare la batteria nel veicolo in modo che non scivoli.
- Fissare la batteria ad es. con cinghie di fissaggio per impedirne lo scivolamento e il ribaltamento.
- Per tutti gli interventi sulla batteria indossare appositi dispositivi di protezione individuale.

SMA Home Storage (HS-BM-3.28-10) è una merce pericolosa: UN 3480 Batteria agli ioni di litio, classe 9 (designazione merce pericolosa UN 3480, classe di pericolo 9). È necessario rispettare le informazioni sulla sicurezza della batteria (vedere le informazioni tecniche "SMA HOME STORAGE - Safety Information" su [www.SMA-Solar.com](http://www.SMA-Solar.com)).

Osservare sempre i requisiti della legge tedesca sul trasporto di merci pericolose su strada, per ferrovia e per vie navigabili interne (GGVSEB) e dell'accordo internazionale sul trasporto di merci pericolose su strada (ADR):

- I moduli batteria possono essere trasportati su strada esclusivamente da personale qualificato e formato.
- Le istruzioni devono essere documentate e ripetute regolarmente:
- Durante la guida è vietato fumare sul veicolo.
- Durante il carico e lo scarico del veicolo non è consentito fumare sul veicolo e nelle immediate vicinanze dello stesso.
- L'imballaggio esterno del modulo batteria non può essere aperto durante il trasporto.

- Durante il trasporto è necessario trasportare 1 attrezzatura per merci pericolose conforme all'ADR e 2 estintori metallici collaudati. Gli estintori devono essere di classe D (capacità minima 2 kg).

## 6 Dichiarazione di conformità UE

Ai sensi delle direttive UE

- Compatibilità elettromagnetica 2014/30/UE (29.3.2014 L 96/79-106) (CEM)
- Bassa tensione 2014/35/UE (29.3.2014 L 96/357-374) (BT)
- Restrizione dell'uso di determinate sostanze pericolose (RoHS) 2011/65/UE (8.6.2011 L 174/88) e 2015/863/UE (31.3.2015 L 137/10) (RoHS)



ITALIANO

SMA Solar Technology AG dichiara che i prodotti descritti all'interno del presente documento sono conformi ai requisiti fondamentali e alle altre disposizioni rilevanti delle direttive sopra citate. Ulteriori informazioni su come reperire la dichiarazione di conformità completa sono disponibili all'indirizzo <https://www.sma.de/en/ce-ukca>.

## 7 Dichiarazione di conformità UK

in conformità ai regolamenti di Inghilterra, Galles e Scozia

- Electromagnetic Compatibility Regulations 2016 (SI 2016/1091)
- Electrical Equipment (Safety) Regulations 2016 (SI 2016/1101)
- The Restriction of the Use of Certain Hazardous Substances in Electrical and Electronic Equipment Regulations 2012 (SI 2012/3032)



SMA Solar Technology AG dichiara che i prodotti descritti all'interno del presente documento sono conformi ai requisiti fondamentali e alle altre disposizioni rilevanti dei regolamenti sopra citati. Ulteriori informazioni su come reperire la dichiarazione di conformità completa sono disponibili all'indirizzo <https://www.sma.de/en/ce-ukca>.

### **SMA Solar UK Ltd.**

Countrywide House  
23 West Bar, Banbury  
Oxfordshire, OX16 9SA  
United Kingdom

## Juridische bepalingen

De informatie in deze documenten is eigendom van SMA Solar Technology AG. Van dit document mag niets worden gemultipliseerd, in een datasysteem worden opgeslagen of op andere wijze (elektronisch, mechanisch middels fotokopie of opname) worden overgenomen zonder voorafgaande schriftelijke toestemming van SMA Solar Technology AG. Een bedrijfsinterne reproductie ten behoeve van de evaluatie of het correcte gebruik van het product is zonder toestemming toegestaan.

SMA Solar Technology AG geeft geen toezeggingen of garanties, niet expliciet noch stilzwijgend met betrekking tot elke documentatie of de daarin beschreven software en toebehoren. Hiertoe horen ondermeer (maar zonder inperking hiervan) impliciete garantie van de marktbaarheid en de geschiktheid voor een bepaald doel. Alle toezeggingen hierover of garanties worden hiermee uitdrukkelijk weerlegd. SMA Solar Technology AG en diens vakhandelaars zijn nooit aansprakelijk voor eventuele directe of indirecte toevallige navolgende verliezen of schades.

De bovengenoemde uitsluiting van impliciete garanties kan niet in alle gevallen worden toegepast. Wijzigingen van specificaties blijven voorbehouden. Dit document is met veel inspanning en uiterst zorgvuldig opgesteld om de meest actuele stand van zaken te waarborgen. De lezer wordt echter nadrukkelijk gewezen op het feit, dat SMA Solar Technology AG het recht behoudt, zonder aankondiging vooraf respectievelijk volgens de desbetreffende bepalingen van het bestaande leveringscontract, wijzigingen van deze specificaties uit te voeren, die SMA met het oog op productverbeteringen en gebruikservaringen geschikt vindt. SMA Solar Technology AG is niet aansprakelijk voor eventuele indirecte, toevallige navolgende verliezen of schades die zijn ontstaan door uitsluitend te vertrouwen op het onderhavige materiaal, onder andere door weglating van informatie, typefouten, rekenfouten of fouten in de structuur van het voorliggende document.

### SMA garantie

De actuele garantievoorwaarden kunt u downloaden op [www.SMA-Solar.com](http://www.SMA-Solar.com).

### Handelsmerken

Alle handelsmerken worden erkend, ook als deze niet afzonderlijk zijn aangeduid. Als de aanduiding ontbreekt, betekent dit niet dat een product of teken vrij is.

### SMA Solar Technology AG

Sonnenallee 1

34266 Niestetal

Duitsland

Tel. +49 561 9522-0

Fax +49 561 9522-100

[www.SMA.de](http://www.SMA.de)

E-mail: [info@SMA.de](mailto:info@SMA.de)

Stand: 15-2-2024

Copyright © 2023 SMA Solar Technology AG. Alle rechten voorbehouden.

# 1 Toelichting bij dit document

## 1.1 Geldigheid

Dit document geldt voor:

- HS-BM-3.28-10 (SMA Home Storage 3.2)

## 1.2 Doelgroep

De in dit document beschreven werkzaamheden mogen uitsluitend door vakmensen worden uitgevoerd. De vakmensen moeten over de volgende kwalificaties beschikken:

- kennis over het functioneren en het bedienen van een omvormer
- Kennis over het functioneren en het gebruik van batterijen
- geschoold in de omgang met de gevaren en risico's bij het installeren, repareren en bedienen van elektrische apparaten, batterijen en installaties
- opgeleid voor de installatie en inbedrijfstelling van elektrische apparaten en installaties
- Kennis van de geldende wetgeving, verordeningen, normen en richtlijnen
- kennis over en naleving van dit document, inclusief alle veiligheidsaanwijzingen

## 1.3 Inhoud en structuur van het document

Dit document bevat veiligheidsrelevante informatie en een grafische handleiding voor installatie en inbedrijfstelling (zie pagina 141). Houd alle informatie aan en voer de grafisch weergegeven handelingen in de aangegeven volgorde uit.

De nieuwste versie van dit document evenals de uitgebreide handleiding voor installeren, inbedrijfstelling, configuratie en buitenbedrijfstelling vindt u in pdf-formaat op [www.SMA-Solar.com](http://www.SMA-Solar.com).

Afbeeldingen in dit document zijn teruggebracht tot wezenlijke details en kunnen afwijken van het echte product.

## 1.4 Niveaus veiligheidswaarschuwing

De volgende niveaus veiligheidswaarschuwingen kunnen bij het omgaan met het product optreden.

### GEVAAR

Markeert een veiligheidsaanwijzing waarvan het niet in acht nemen direct tot de dood of tot zwaar lichamelijk letsel leidt.

### WAARSCHUWING

Markeert een veiligheidsaanwijzing waarvan het niet in acht nemen tot de dood of ernstig lichamelijk letsel kan leiden.



### VOORZICHTIG

Markeert een veiligheidsaanwijzing waarvan het niet in acht nemen tot licht of middelzwaar lichamelijk letsel kan leiden.

**LET OP**

Markeert een veiligheidsaanwijzing waarvan het niet in acht nemen tot materiële schade kan leiden.

## 1.5 Symbolen in het document

Symbol	Toelichting
	Informatie die voor een specifiek onderwerp of doel van belang is, maar niet relevant is voor de veiligheid
	Hoofdstuk waarin de installatie en inbedrijfstelling grafisch is weergegeven

## 2 Veiligheid

### 2.1 Reglementair gebruik

SMA Home Storage is een systeem met een of meer batterijmodule(s) en kan worden gebruikt in de SMA Home Storage Solution voor thuisgebruik, bijv. voor optimalisering van het eigen verbruik. De communicatie-interface van de gebruikte omvormer moet compatibel met het product zijn. Het gehele spanningsbereik moet volledig binnen het toegestane ingangsspanningsbereik van de omvormer liggen. De maximaal toelaatbare DC-ingangsspanning van het product mag niet worden overschreden.

Er mogen geen extra verbruikers of componenten in de DC-verbinding tussen de batterij en de omvormer worden aangebracht.

Het product is geschikt voor gebruik binnens- en buitenshuis.

Het product mag uitsluitend als vast gemonteerd bedrijfsmiddel worden toegepast.

Het toegestane operationele bereik en de installatievereisten van alle componenten moeten te allen tijde worden aangehouden.

Het product is niet geschikt voor de stroomvoorziening van vitale medische apparatuur. Een stroomuitval mag niet tot lichamelijk letsel leiden.

Het product mag alleen worden gebruikt in landen waarvoor het is toegelaten of waarvoor het door SMA Solar Technology AG en de netwerkexploitant is vrijgegeven.

De producten van SMA Solar Technology AG zijn niet geschikt voor gebruik in

- medische hulpmiddelen, met name producten voor de stroomvoorziening van beademingssystemen en -apparatuur,
- luchtvaartuigen, het bedrijf van luchtvaartuigen, de stroomvoorziening van kritieke luchthaveninfrastructuur en luchthavensystemen,
- railvoertuigen, het bedrijf en de stroomvoorziening van railvoertuigen en de kritieke infrastructuur ervan.

De bovenstaande opsomming is niet exhaustief. Neem contact op met ons als u twijfelt of producten van SMA Solar Technology AG geschikt zijn voor uw toepassing.

Gebruik SMA producten uitsluitend conform de aanwijzingen van de bijgevoegde documentatie en conform de plaatselijke wetgeving, bepalingen, voorschriften en normen. Andere toepassingen kunnen tot persoonlijk letsel of materiële schade leiden.

Wijzigingen van SMA producten, bijvoorbeeld veranderingen of montage van onderdelen, zijn alleen toegestaan met uitdrukkelijke schriftelijke toestemming van SMA Solar Technology AG. Als er niet goedgekeurde wijzigingen worden uitgevoerd, vervalt de garantie en in de meeste gevallen ook de typegoedkeuring. SMA Solar Technology AG is in geen geval aansprakelijk voor schade die door zulke wijzigingen is ontstaan.

Elk gebruik van het product dat niet overeenkomt met het onder reglementair gebruik omschreven gebruik, wordt als niet-reglementair gebruik beschouwd.

De meegeleverde documentatie maakt deel uit van het product. De documentatie moet worden gelezen, in acht worden genomen en op een altijd toegankelijke plek droog worden bewaard.

Dit document vervangt niet regionale, nationale, provinciale of gemeentelijke wetgeving, voorschriften of normen, die voor de installatie en de elektrische veiligheid van het product gelden. SMA Solar Technology AG accepteert geen verantwoordelijkheid voor het aanhouden resp. niet aanhouden van deze wetgeving of bepalingen in relatie met de installatie van het product.

Het typeplaatje moet permanent op het product zijn aangebracht.

## 2.2 Belangrijke veiligheidsaanwijzingen

Handleiding bewaren.

Dit hoofdstuk bevat veiligheidsaanwijzingen die bij alle werkzaamheden altijd in acht genomen moeten worden.

Het product is volgens internationale veiligheidseisen ontworpen en getest. Ondanks een zorgvuldige constructie bestaan, net zoals bij alle elektrische of elektronische apparaten, restgevaaren. Lees dit hoofdstuk aandachtig door en neem altijd alle veiligheidsaanwijzingen in acht om lichamelijk letsel of materiële schade te voorkomen en een lange levensduur van het product te garanderen.

### GEVAAR

#### **Levensgevaar door elektrische schokken bij het aanraken van spanning geleidende DC-kabel**

De DC-kabels die op een batterij zijn aangesloten kunnen onder spanning staan. Het aanraken van spanningvoerende DC-kabels leidt tot dodelijk of ernstig lichamelijk letsel als gevolg van een elektrische schok.

- Voor alle werkzaamheden product en omvormer spanningsvrij schakelen en tegen opnieuw inschakelen beveiligen.
- Raak geen vrijliggende spanningsvoerende onderdelen of kabels aan.
- De DC-connectoren niet onder belasting loskoppelen.
- Draag bij alle werkzaamheden aan het product geschikte persoonlijke beschermingsmiddelen.

**⚠ GEVAAR****Levensgevaar door elektrische schok bij aanraken van behuizingsdelen welke onder spanning staan bij beschadigde aardleiding**

Indien de aardleiding van de DC-aansluiting beschadigd is of niet correct werd aangesloten, kunnen hoge spanningen op de behuizing van het product aanwezig zijn. Het aanraken van onder spanning staande behuizingsonderdelen leidt tot de dood of tot levensgevaarlijk letsel als gevolg van een elektrische schok.

- Aardgeleider voor de DC-aansluiting aansluiten zoals beschreven in dit document.

**⚠ GEVAAR****Levensgevaar door brand of explosie door ondeskundig gebruik van de batterijmodule**

Bij ondeskundig gebruik van de batterijmodule kan de lithium in het binnenste van de batterijmodule ontbranden. Daardoor kan er brand ontstaan of een explosie worden geactiveerd. Dodelijk of levensgevaarlijk letsel door hete of rondvliegende onderdelen kunnen het gevolg zijn.

- Gebruik nooit een defecte of een beschadigde batterijmodule.
- De batterijmodule niet openen, doorboren of laten vallen.
- De batterijmodule niet in explosiegevaarlijke gebieden of in gebieden met een hoge luchtvochtigheid monteren en gebruiken.
- Stel de batterijmodule niet bloot aan hoge temperaturen.
- Gooi de batterijmodule niet in het vuur.
- De batterijmodule drogen en binnen het aangegeven temperatuurbereik bewaren.
- Wanneer er brand ontstaat in de batterij, onmiddellijk de brandweer bellen. Het blussen vormt vanwege giftige gassen, explosiegevaar en snelle verspreiding een hoog risico.
- Bij een brand in de omgeving van de batterij een ABC-blusser gebruiken.

**⚠ GEVAAR****Levensgevaar door elektrische schok bij aanraken van installatiedelen welke onder spanning staan bij een aardlek**

Als zich een aardlek voordoet, kunnen onderdelen van de installatie onder spanning staan. Aanraking van spanningvoerende onderdelen en kabels leidt tot levensgevaarlijk of dodelijk letsel als gevolg van elektrische schok.

- Voor alle werkzaamheden product en omvormer spanningsvrij schakelen en tegen opnieuw inschakelen beveiligen.
- De onderdelen van de onderconstructie niet aanraken.



 **GEVAAR**
**Levensgevaar door elektrische schokken bij het aanraken van spanning geleidende onderdelen bij geopend product**

Tijdens bedrijf zijn op de spanning geleidende onderdelen en kabels in het product hoge spanningen actief. Het aanraken van spanningvoerende onderdelen en kabels leidt tot de dood of tot levensgevaarlijk letsel als gevolg van een elektrische schok.

- Open het product niet.

 **WAARSCHUWING**
**Levensgevaar door elektrische schokken bij beschadiging van het meettoestel bij overspanning.**

Een overspanning kan een meettoestel beschadigen en elektrische spanning op de behuizing van het meettoestel veroorzaken. Het aanraken van een onder spanning staande behuizing van het meettoestel leidt tot de dood of tot levensgevaarlijk letsel als gevolg van een elektrische schok.

- Gebruik alleen meettoestellen met een DC-ingangsspanningsbereik tot minimaal 1500 V of hoger.

 **WAARSCHUWING**
**Levensgevaar door verbrandingen bij vlambogen vanwege kortsluitstromen.**

Kortsluitstromen van de batterij kunnen grote hitte en vlambogen veroorzaken. Hitte-ontwikkeling en vlambogen kunnen levensgevaarlijk letsel door verbranding veroorzaken.

- Voor alle werkzaamheden aan de batterij de batterij spanningsvrij schakelen.
- Voor alle werkzaamheden aan de batterij horloges, ringen en andere metalen objecten afdoen.
- Bij alle werkzaamheden aan de batterij een geïsoleerd gereedschap en geïsoleerde handschoenen gebruiken.
- Leg geen gereedschap of metalen voorwerpen op de batterij.

 **WAARSCHUWING**
**Levensgevaar door vuur of explosie bij diepontladen batterijen**

Bij verkeerd opladen van diepontladen batterijen kan brand ontstaan. Dit kan ernstig letsel of de dood tot gevolg hebben.

- De batterij uiterlijk 6 maanden na levering in gebruik nemen.
- Wanneer de batterij niet binnen 6 maanden in gebruik kan worden genomen, moet een nacyclus van het batterijgeheugen worden aangevraagd bij de technische service.
- Waarborg voor de inbedrijfstelling van het systeem, dat de batterij niet diepontladen is.
- Neem het systeem niet in gebruik, wanneer de batterij diepontladen is.
- Wanneer de batterij diepontladen is contact met de technische service opnemen.

**⚠ WAARSCHUWING****Gevaar voor lichamelijk letsel door giftige substanties, gassen en stof**

In uitzonderlijke situaties kunnen, door beschadigingen aan elektronische componenten, giftige substanties, gassen en stof in het inwendige van de product optreden. Het aanraken van giftige substanties en het inademen van giftige gassen en stoffen kan huidirritatie, bijwonden, ademhalingsmoeilijkheden en duizeligheid veroorzaken.

- Behuizing van de batterij beschermen tegen onherstelbare beschadiging.
- Batterij niet openen of vervormen.
- Batterij niet in het vuur gooien. Batterijen kunnen ontploffen in het vuur.
- Werkzaamheden aan de batterij (bijv. foutopsporing, reparatiewerkzaamheden) alleen met persoonlijke beschermingsmiddelen voor omgang met gevaarlijke stoffen (bijv. veiligheidshandschoenen, oog- en gelaatsbescherming en adembescherming) uitvoeren.
- Zuurspetters met helder water lang en grondig afspoelen en vervolgens een arts raadplegen.
- Wanneer zuurdampen zijn ingeademd, direct een arts raadplegen.
- Zorg ervoor dat onbevoegde personen geen toegang tot het product hebben.
- Houd tijdens de installatie, het gebruik, het onderhoud en bij de afvoer van de batterij de aanwijzingen van de fabrikant aan.

**⚠ WAARSCHUWING****Gevaar voor lichamelijk letsel door het gewicht van het product**

Door verkeerd tillen en door vallen van de batterijmodules bij transport of montage kan er letsel ontstaan

- Het product voorzichtig transporteren en optillen. Let daarbij op het gewicht van het product.
- Het product alleen afzonderlijk transporteren.
- Het product altijd transporteren en monteren met meer dan een persoon. Het aantal personen is afhankelijk van de ter plaatse geldende normen en richtlijnen.
- Geschikt transportmiddel gebruiken, bijv. steekwagen. Daarbij de behuizing van de batterijcomponenten niet beschadigen.
- Bij alle werkzaamheden aan het product geschikte persoonlijke beschermingsmiddelen dragen, minimaal veiligheidsschoenen met veiligheidszool en stalen neus.

**⚠ VOORZICHTIG****Verbrandingsgevaar door hete batterijmodule**

De batterijmodule kan heet worden tijdens het bedrijf. Het aanraken van de hete batterijmodule kan tot verbrandingen leiden.

- Voor het aanraken van de batterijmodule wachten tot de batterijmodules zijn afgekoeld.

**⚠ VOORZICHTIG****Gevaar voor letsel door scherpe randen**

De batterijcomponenten hebben scherpe randen. Het aanraken van scherpe randen kan tot letsel leiden.

- Draag veiligheidshandschoenen bij de montage en demontage van de batterij.

**LET OP****Beschadiging van de batterijmodules door vocht of corrosieve substanties**

Door het binnendringen van vocht of corrosieve substanties kan het product beschadigd worden en kan de werking verslechteren.

- Batterijmodules niet in vloeistof dompelen.
- Batterijcellen niet blootstellen aan corrosieve substanties (bijv. ammoniak, zout).

**LET OP****Beschadiging van het product door reinigingsmiddel**

Door het gebruik van reinigingsmiddelen kunnen het product en delen van het product beschadigd raken.

- Alle batterijcomponenten uitsluitend met een droge doek reinigen.

### 3 Aanvullend vereist materiaal (niet bij de leveringsomvang inbegrepen)




#### **i** Batterijcommunicatiekabel voor de verbinding tussen SMA Home Storage en Sunny Tripower Smart Energy

Voor de verbinding tussen SMA Home Storage en Sunny Tripower Smart Energy moet een voorgeconfectioneerde batterijcommunicatiekabel worden gebruikt (SMA bestelnummer: HS-COM-CBL-3-10). Deze batterijcommunicatiekabel heeft een RJ45- en een COM-stekker.

### 4 Symbolen op het product

Symbol	Toelichting
	<p>Waarschuwing voor een gevaarlijke plaats</p> <p>Dit symbool geeft aan dat het product extra moet worden geaard als ter plaatse een extra aarding of een potentiaalvereffening vereist is.</p>
	<p>Waarschuwing voor gevaarlijke elektrische spanning</p> <p>Het product werkt met hoge spanningen.</p>

Symbol	Toelichting
	<p>Waarschuwing voor gevaren door batterijen</p> <p>Dit symbool wijst op het gevaar van de omgang met batterijen.</p>
	<p>Waarschuwing voor explosiegevaarlijke stoffen</p> <p>Bij ondeskundig gebruik of bij brand kan het product ontbranden of exploderen.</p>
	<p>Waarschuwing voor bijtende stoffen</p> <p>Het product bevat bijtende substanties, die bij rechtstreeks contact met de huid ernstig verwondingen kunnen veroorzaken.</p>
	<p>Documentatie in acht nemen</p> <p>Neem alle met het product meegeleverde documentatie in acht.</p>
	<p>Oogbescherming gebruiken</p> <p>Bij alle werkzaamheden aan het apparaat moet oogbescherming worden gedragen.</p>
	<p>Geen open vuur</p> <p>De omgang met open vuur en ontstekingsbronnen in de nabij omgeving van het product is verboden.</p>
	<p>Toegang voor kinderen verboden</p> <p>Kinderen moeten buiten bereik van het product worden gehouden.</p>
	<p>Aarding</p> <p>Dit symbool geeft de plaats aan voor aansluiting van extra aardleidingen.</p>
	<p>WEEE-markering</p> <p>Het product mag niet met het huisvuil worden meegegeven. Neem de op de installatielocatie geldende verwijderingsvoorschriften voor elektronisch afval in acht.</p>
	<p>Het product is geschikt voor buitenmontage.</p>
<b>IP65</b>	<p>Beschermingsgraad IP65</p> <p>Het product is beschermd tegen binnendringen van stof en tegen water, dat vanuit elke richting als straal tegen de behuizing is gericht.</p>
<b>CE</b>	<p>CE-markering</p> <p>Het product voldoet aan de eisen van de toepasselijke EU-richtlijnen.</p>

Symbol	Toelichting
	UKCA-markering Het product voldoet aan de verordeningen van de betreffende wetten in Engeland, Wales en Schotland.
	RoHS-markering Het product voldoet aan de eisen van de toepasselijke EU-richtlijnen.
	RCM (Regulatory Compliance Mark) Het product voldoet aan de eisen van de toepasselijke Australische normen.

## 5 Transport

Dit hoofdstuk bevat veiligheidsaanwijzingen die bij het transport van de batterij altijd in acht moeten worden genomen.

### VOORZICHTIG

#### Letselgevaar door ondeskundig transport

Door ondeskundig transport of gebrekkige transportbeveiliging kan de batterij wegglijden of kantelen. Het wegglijden of kantelen van de batterij kan letsel veroorzaken.

- Batterij voorzichtig transporteren en tillen. Daarbij het gewicht van de batterij in acht nemen.
- De batterij beveiligd tegen wegglijden in het voertuig opstellen.
- De batterij bijv. met sjordbanden beveiligen tegen wegglijden en kantelen.
- Bij alle werkzaamheden aan de batterij geschikte persoonlijke beschermingsmiddelen dragen.

De SMA Home Storage (HS-BM-3.28-10) is een gevaarlijk product: UN 3480 lithium-ion-batterij, klasse 9 (aanduiding gevaarlijke stoffen UN 3480, gevarenklasse 9). De veiligheidsinformatie van de batterij moet daarbij in acht worden genomen (zie technische informatie "SMA HOME STORAGE - Safety information" onder [www.SMA-Solar.com](http://www.SMA-Solar.com)).

Alle eisen ten aanzien van het voorschrift voor het transport van gevaarlijke stoffen over de weg, spoorweg en binnenvaart en de overeenkomst ten aanzien van het internationale transport van gevaarlijke goederen over de weg moet steeds in acht worden genomen:

- Alleen geschoold en getraind personeel mag de batterijmodule op openbare wegen transporteren.
- De instructies moeten worden gedocumenteerd en terugkerend worden uitgevoerd.
- Tijdens de rit mag in het voertuig niet worden gerookt.
- Bij het be- en ontlichten van het voertuig mag in het voertuig zelf en in de nabije omgeving van het voertuig niet worden gerookt.
- De verpakking van de batterijmodule mag tijdens het transport niet worden geopend.
- Tijdens het transport moeten 1 geteste gevarenuitrusting conform ADR en 2 geteste metaalbrandblussers worden meegenomen. De brandblussers moeten voldoen aan brandklasse D (minimale capaciteit 2 kg).

## 6 EG-conformiteitsverklaring

conform de EG-richtlijnen

- Elektromagnetische compatibiliteit 2014/30/EU (29-03-2014 L 96/79-106) (EMC)
- Laagspanning 2014/35/EU (29-03-2014 L 96/357-374) (LSR)
- Beperking van het gebruik van bepaalde gevaarlijke stoffen 2011/65/EU (08-06-2011 L 174/88) en 2015/863/EU (31-03-2015 L 137/10) (RoHS)



Hiermee verklaart SMA Solar Technology AG dat de in dit document beschreven producten in overeenstemming zijn met de wezenlijke vereisten en andere relevante bepalingen van de bovengenoemde richtlijnen. Meer informatie over waar u de volledige conformiteitsverklaring kunt vinden vindt u onder <https://www.sma.de/en/ce-ukca>.

NEDERLANDS

## 7 VK-conformiteitsverklaring

in overeenstemming met de verordeningen van Engeland, Wales en Schotland

- Electromagnetic Compatibility Regulations 2016 (SI 2016/1091)
- Electrical Equipment (Safety) Regulations 2016 (SI 2016/1101)
- The Restriction of the Use of Certain Hazardous Substances in Electrical and Electronic Equipment Regulations 2012 (SI 2012/3032)



Hiermee verklaart SMA Solar Technology AG dat de in dit document beschreven producten in overeenstemming zijn met de wezenlijke vereisten en andere relevante bepalingen van de bovengenoemde verordeningen. Meer informatie over waar u de volledige conformiteitsverklaring kunt vinden vindt u onder <https://www.sma.de/en/ce-ukca>.

### SMA Solar UK Ltd.

Countrywide House  
23 West Bar, Banbury  
Oxfordshire, OX16 9SA  
United Kingdom

## Przepisy prawne

Informacje zawarte w niniejszych materiałach są własnością firmy SMA Solar Technology AG. Żaden z fragmentów niniejszego dokumentu nie może być powielany, przechowywany w systemie wyszukiwania danych ani przekazywany w jakiegokolwiek formie (elektronicznej lub mechanicznej w postaci fotokopii lub nagrania) bez uprzedniej pisemnej zgody firmy SMA Solar Technology AG. Kopiowanie wewnątrz zakładu w celu oceny produktu lub jego użytkowania w sposób zgodny z przeznaczeniem, jest dozwolone i nie wymaga zezwolenia.

SMA Solar Technology AG nie składa żadnych zapewnień i nie udziela gwarancji, wyraźnych lub dorozumianych, w odniesieniu do jakiegokolwiek dokumentacji lub opisanego w niej oprogramowania i wyposażenia. Dotyczy to między innymi dorozumianej gwarancji zbywalności oraz przydatności do określonego celu, nie ograniczając się jednak tylko do tego. Niniejszym wyraźnie wykluczamy wszelkie zapewnienia i gwarancje w tym zakresie. Firma SMA Solar Technology AG i jej dystrybutorzy w żadnym wypadku nie ponoszą odpowiedzialności za ewentualne bezpośrednie lub pośrednie, przypadkowe straty następcze lub szkody.

Powyższe wyłączenie gwarancji dorozumianych nie może być stosowane we wszystkich przypadkach.

Zastrzegamy sobie prawo do wprowadzania zmian w specyfikacjach. Dołożono wszelkich starań, aby dokument ten przygotować z najwyższą dbałością i na bieżąco go aktualizować. SMA Solar Technology AG zastrzega sobie jednak prawo do wprowadzania zmian w specyfikacjach bez obowiązku wcześniejszego powiadomienia lub zgodnie z odpowiednimi postanowieniami zawartej umowy dostawy, które to zmiany uznaje za właściwe w odniesieniu do ulepszeń produktów i doświadczeń użytkowych. SMA Solar Technology AG nie ponosi odpowiedzialności za ewentualne pośrednie, przypadkowe lub następcze straty lub szkody wynikające z oparcia się na niniejszych materiałach, między innymi wskutek pominięcia informacji, błędów typograficznych, błędów obliczeniowych lub błędów w strukturze niniejszego dokumentu.

### Gwarancja firmy SMA

Aktualne warunki gwarancji można pobrać w Internecie na stronie [www.SMA-Solar.com](http://www.SMA-Solar.com).

### Znaki towarowe

Wszystkie znaki towarowe są zastrzeżone, nawet jeśli nie są specjalnie oznaczone. Brak oznaczenia znaku towarowego nie oznacza, że towar lub znak nie jest zastrzeżony.

### SMA Solar Technology AG

Sonnenallee 1

34266 Niestetal

Niemcy

Tel. +49 561 9522-0

Faks +49 561 9522-100

[www.SMA.de](http://www.SMA.de)

E-mail: [info@SMA.de](mailto:info@SMA.de)

Stan na dzień: 15.02.2024

Copyright © 2023 SMA Solar Technology AG. Wszystkie prawa zastrzeżone.

# 1 Informacje na temat niniejszego dokumentu

## 1.1 Zakres obowiązywania

Niniejszy dokument dotyczy:

- HS-BM-3.28-10 (SMA Home Storage 3.2)

## 1.2 Grupa docelowa

Opisane w niniejszym dokumencie czynności mogą wykonywać wyłącznie wykwalifikowani specjaliści. Specjaliści muszą posiadać następujące kwalifikacje:

- Znajomość zasady działania oraz eksploatacji falownika
- Znajomość zasady działania oraz eksploatacji akumulatorów
- Odbyte szkolenie w zakresie niebezpieczeństw i zagrożeń mogących wystąpić podczas montażu, napraw i obsługi urządzeń, akumulatorów i instalacji elektrycznych
- Wykształcenie w zakresie montażu oraz uruchamiania urządzeń i instalacji elektrycznych
- Znajomość odnośnych ustaw, rozporządzeń, norm i dyrektyw
- Znajomość i przestrzeganie treści niniejszego dokumentu wraz ze wszystkimi wskazówkami dotyczącymi bezpieczeństwa.

## 1.3 Treść i struktura dokumentu

Ten dokument zawiera informacje dotyczące bezpieczeństwa, a także instrukcję instalacji i uruchomienia w formie graficznej (patrz strona 141). Należy przestrzegać wszystkich informacji, a przedstawione graficznie czynności wykonywać w określonej kolejności.

Aktualna wersja dokumentu oraz szczegółowa instrukcja instalacji, uruchomienia, konfiguracji i wyłączenia są dostępne w formacie PDF pod adresem [www.SMA-Solar.com](http://www.SMA-Solar.com).

Zawarte w tej instrukcji ilustracje przedstawiają wyłącznie najważniejsze szczegóły i mogą odbiegać od rzeczywistego produktu.

## 1.4 Rodzaje ostrzeżeń

Przy użytkowaniu urządzenia mogą wystąpić następujące ostrzeżenia.

### NIEBEZPIECZEŃSTWO

Wskazuje na ostrzeżenie, którego zignorowanie powoduje śmierć lub poważne obrażenia ciała.

### OSTRZEŻENIE

Wskazuje na ostrzeżenie, którego zignorowanie może spowodować śmierć lub poważne obrażenia ciała.

### PRZESTROGA



Wskazuje na ostrzeżenie, którego zignorowanie może spowodować średnie lub lekkie obrażenia ciała.



**UWAGA**

Wskazuje na ostrzeżenie, którego zignorowanie może prowadzić do powstania szkód materialnych.

## 1.5 Symbole w dokumencie

Symbol	Objaśnienie
	Informacja, która jest ważna dla określonej kwestii lub celu, lecz nie ma wpływu na bezpieczeństwo.
	Rozdział zawierający graficzne przedstawienie postępowania przy instalacji i rozruchu

## 2 Bezpieczeństwo

### 2.1 Użytkowanie zgodne z przeznaczeniem

SMA Home Storage jest systemem składającym się z jednego lub kilku modułów akumulatora i może być stosowany w ramach SMA Home Storage Solution w instalacjach domowych, np. w celu optymalizacji zużycia energii na potrzeby własne.

Złącze do transmisji danych zastosowanego falownika musi być kompatybilne z produktem. Cały zakres napięcia musi znajdować się całkowicie w zakresie dopuszczalnego napięcia wejściowego falownika. Nie wolno przekraczać napięcia wejściowego DC maksymalnie dopuszczalnego w produkcie.

Nie wolno montować żadnych dodatkowych odbiorników ani komponentów w obwodzie DC między akumulatorem a falownikiem.

Falownik jest przeznaczony do użytkowania zarówno na zewnątrz, jak i wewnątrz budynków. Produkt wolno używać wyłącznie jako urządzenie zamontowane na stałe.

Należy bezwarunkowo przestrzegać dozwolonego zakresu roboczego oraz wymagań związanych z instalacją dla wszystkich komponentów.

Produkt nie jest przeznaczony do zasilania podtrzymujących życie urządzeń medycznych. Przerwa w zasilaniu energią elektryczną nie może w żadnym wypadku skutkować powstaniem szkód osobowych.

Produkt wolno używać wyłącznie w tych krajach, w których posiada on homologację krajową lub zezwolenie wydane przez firmę SMA Solar Technology AG i operatora sieci przesyłowej.

Produkty firmy SMA Solar Technology AG nie są przeznaczone do zastosowań

- w produktach medycznych, a zwłaszcza w produktach służących do zasilania systemów i maszyn podtrzymujących funkcje życiowe;
- w stacjach powietrznych, do eksploatacji staków powietrznych, zasilania infrastruktury lotniskowej i systemów lotniskowych o krytycznym znaczeniu;
- w pojazdach szynowych, do eksploatacji i zasilania pojazdów szynowych i infrastruktury pojazdów szynowych o krytycznym znaczeniu.

Powyższa lista nie ma charakteru wyłączności. Prosimy o skontaktowanie się z nami w przypadku posiadania wątpliwości, czy produkty firmy SMA Solar Technology AG można zastosować w konkretnym przypadku.

Produkty firmy SMA wolno stosować wyłącznie w sposób opisany w załączonych dokumentach i zgodnie z ustawami, regulacjami, przepisami i normami obowiązującymi w miejscu montażu. Używanie produktu w inny sposób może spowodować szkody osobowe lub materialne.

Wprowadzanie zmian w produktach firmy SMA, na przykład poprzez ich modyfikację lub przebudowę, wymaga uzyskania jednoznacznej zgody firmy SMA Solar Technology AG w formie pisemnej. Wprowadzanie zmian w produkcie bez uzyskania stosownej zgody prowadzi do utraty gwarancji i rękojmi oraz z reguły do utraty ważności pozwolenia na eksploatację. Wyklucza się odpowiedzialność firmy SMA Solar Technology AG za szkody powstałe wskutek wprowadzania tego rodzaju zmian.

Użytkowanie produktów w sposób inny niż określony w punkcie „Użytkowanie zgodne z przeznaczeniem” jest uważane za niezgodne z przeznaczeniem.

Dołączone dokumenty stanowią integralną część produktu. Dokumenty te należy przeczytać, przestrzegać ich treści i przechowywać w suchym i dostępnym w dowolnym momencie miejscu.

Niniejszy dokument nie zastępuje krajowych, regionalnych, krajowych przepisów lub przepisów obowiązujących na szczeblu innych jednostek administracji państwowej ani przepisów lub norm w zakresie instalacji, bezpieczeństwa elektrycznego i użytkowania produktu. Firma SMA Solar Technology AG nie ponosi odpowiedzialności za przestrzeganie, względnie nieprzestrzeganie tych przepisów lub regulacji w związku z instalacją produktu.

Tabliczka znamionowa musi znajdować się w produkcie przez cały czas.

## 2.2 Ważne wskazówki dotyczące bezpieczeństwa

Instrukcję należy zachować na przyszłość.

W niniejszym rozdziale zawarte są wskazówki dotyczące bezpieczeństwa, których należy zawsze przestrzegać podczas wykonywania wszystkich prac.

Produkt został skonstruowany i przetestowany zgodnie z międzynarodowymi wymogami w zakresie bezpieczeństwa. Mimo starannej konstrukcji występuje, jak we wszystkich urządzeniach elektrycznych lub elektronicznych, pewne ryzyko resztkowe. Aby uniknąć powstania szkód osobowych i materialnych oraz zapewnić długi okres użytkowania produktu, należy dokładnie przeczytać ten rozdział i zawsze przestrzegać wszystkich wskazówek dotyczących bezpieczeństwa.

**⚠ NIEBEZPIECZEŃSTWO****Zagrożenie życia wskutek porażenia prądem przy dotknięciu przewodzących napięcie kabli DC**

Podłączone do akumulatora kable DC mogą znajdować się pod napięciem. Dotknięcie przewodzących napięcie kabli DC prowadzi do śmierci lub odniesienia ciężkich obrażeń ciała wskutek porażenia prądem elektrycznym.

- Przed rozpoczęciem wszelkich prac należy odłączyć produkt i falownik od napięcia i zabezpieczyć przed ponownym włączeniem.
- Nie wolno dotykać odsłoniętych części ani kabli przewodzących napięcie.
- Nie wolno rozłączać wtyków DC pod obciążeniem.
- Podczas wykonywania wszystkich prac przy produkcie należy stosować odpowiednie środki ochrony indywidualnej.

**⚠ NIEBEZPIECZEŃSTWO****Zagrożenie życia przez porażenie prądem w przypadku dotknięcia części obudowy pod napięciem przy uszkodzonym przewodzie PE**

Jeśli przewód PE na złączu DC jest uszkodzony lub nieprawidłowo podłączony, na obudowie produktu mogą występować wysokie napięcia. Dotknięcie przewodzących napięcie części obudowy prowadzi do śmierci lub odniesienia ciężkich obrażeń ciała wskutek porażenia prądem elektrycznym.

- Podłączyć przewód uziemiający do złącza DC, tak jak opisano w tym dokumencie.

## NIEBEZPIECZEŃSTWO

### Zagrożenie życia wskutek pożaru lub wybuchu w wyniku niefachowego obchodzenia się z modułami akumulatora

Niefachowe obchodzenie się z modułami akumulatora może spowodować zapłon litu w ich wnętrzu. Grozi to pożarem lub wybuchem. Skutkiem tego może być utrata życia lub odniesienie niebezpiecznych dla życia obrażeń ciała wskutek kontaktu z gorącymi lub wyrzuconymi na zewnątrz częściami.

- Nigdy nie używać niesprawnych lub uszkodzonych modułów akumulatora.
- Modułów akumulatora nie należy otwierać, przewiercać ani upuszczać.
- Nie montować ani nie eksploatować modułów akumulatora w strefach zagrożonych wybuchem lub strefach o wysokiej wilgotności powietrza.
- Nie wystawiać modułów akumulatora na działanie wysokich temperatur.
- Nie wrzucać modułów akumulatora do ognia.
- Przechowywać moduły akumulatora w miejscu suchym i w ramach podanego zakresu temperatur.
- W przypadku powstania pożaru, którego źródłem jest akumulator, niezwłocznie zadzwonić po straż pożarną. Ze względu na toksyczne gazy, zagrożenie wybuchu i szybkie rozprzestrzenianie się pożaru z gaszeniem wiąże się duże ryzyko.
- W przypadku pożaru w otoczeniu akumulatora należy użyć gaśnicy ABC.

## NIEBEZPIECZEŃSTWO

### Zagrożenie życia na skutek porażenia prądem elektrycznym w przypadku dotknięcia będących pod napięciem elementów instalacji przy zwarciu

Przy wystąpieniu zwarcia doziemnego na elementach instalacji może się pojawić napięcie. Dotknięcia elementów przewodzących napięcie lub kabli prowadzi do śmierci lub odniesienia ciężkich obrażeń ciała wskutek porażenia prądem elektrycznym.

- Przed rozpoczęciem wszelkich prac należy odłączyć produkt i falownik od napięcia i zabezpieczyć przed ponownym włączeniem.
- Nie wolno dotykać elementów konstrukcji nośnej.

## NIEBEZPIECZEŃSTWO

### Zagrożenie życia na skutek porażenia prądem w przypadku dotknięcia elementów przewodzących napięcie, gdy produkt jest otwarty.

Podczas eksploatacji na elementach produktu lub znajdujących się wewnątrz produktu kablałch przewodzących napięcie występuje wysokie napięcie. Dotknięcia elementów przewodzących napięcie lub kabli prowadzi do śmierci lub odniesienia ciężkich obrażeń ciała wskutek porażenia prądem elektrycznym.

- Nie otwierać produktu.

**⚠ OSTRZEŻENIE****Zagrożenie życia wskutek porażenia prądem elektrycznym w przypadku zniszczenia przyrządu pomiarowego przez nadmierne napięcie**

Nadmierne napięcie może doprowadzić do uszkodzenia urządzenia pomiarowego i wystąpienia napięcia na jego obudowie. Dotknięcie będącej pod napięciem obudowy urządzenia pomiarowego prowadzi do śmierci lub odniesienia ciężkich obrażeń ciała wskutek porażenia prądem elektrycznym.

- Używać tylko przyrządów pomiarowych z minimalnym zakresem napięcia wejściowego DC 1500 V lub z większym zakresem.

**⚠ OSTRZEŻENIE****Zagrożenie dla życia wskutek oparzeń spowodowanych powstaniem łuku elektrycznego przy przepływie prądów zwarciovych**

Prądy zwarciove w akumulatorze mogą prowadzić do powstania łuku elektrycznego i emisji gorąca. Wzrost temperatury i łuki elektryczne mogą być przyczyną odniesienia stanowiących zagrożenie dla życia obrażeń ciała wskutek oparzenia.

- Przed wykonywaniem wszystkich prac przy akumulatorze należy odłączyć go od napięcia.
- Przed wykonywaniem wszystkich prac przy akumulatorze należy zdjąć zegarek, pierścionki ani inne metalowe przedmioty.
- Podczas wszystkich prac przy akumulatorze należy używać izolowanych narzędzi i izolowanych rękawic ochronnych.
- Na akumulatorze nie wolno odkładać żadnych narzędzi ani metalowych części.

**⚠ OSTRZEŻENIE****Zagrożenie życia wskutek pożaru lub wybuchu głęboko rozładowanego akumulatora**

Nieprawidłowe ładowanie głęboko rozładowanego akumulatora może być przyczyną pożaru. Skutkiem tego może być utrata życia lub odniesienie poważnych obrażeń ciała.

- Akumulator należy uruchomić co najmniej 6 miesięcy po dostawie.
- Jeżeli nie można uruchomić akumulatora w ciągu 6 miesięcy, należy zlecić w serwisie jego regenerację.
- Przed rozruchem systemu należy się upewnić, że akumulator nie jest głęboko rozładowany.
- Nie wolno uruchamiać systemu, gdy akumulator jest głęboko rozładowany.
- W przypadku głębokiego rozładowania akumulatora należy skontaktować się z serwisem.

### OSTRZEŻENIE

#### Zagrożenie odniesieniem obrażeń wskutek kontaktu z trującymi substancjami, gazami i pyłami

W odosobnionych i rzadkich przypadkach, wskutek uszkodzenia komponentów elektronicznych wewnątrz produktu mogą powstać trujące substancje, gazy i pyły. Dotknięcie trujących substancji oraz wdychanie trujących gazów i pyłów może być przyczyną podrażnienia skóry, oparzenia, trudności z oddychaniem i nudności.

- Obudowę akumulatora należy chronić przed zniszczeniem.
- Nie wolno otwierać ani deformować kształtu akumulatora.
- Nie wolno wrzucać akumulatora do ognia. W ogniu akumulator może wybuchnąć.
- Prace przy akumulatorze (np. diagnostykę usterek, naprawy) wolno wykonywać wyłącznie stosując środki ochrony indywidualnej przeznaczone do obchodzenia się z substancjami niebezpiecznymi (np. rękawice ochronne, środki ochrony oczu i twarzy oraz dróg oddechowych).
- Miejsca opryskane kwasem należy dokładnie i długo przemywać czystą wodą, a następnie należy udać się do lekarza.
- W przypadku przedostania się oparów kwasu do górnych dróg oddechowych należy niezwłocznie udać się do lekarza.
- Należy zapewnić, aby osoby niepowołane nie miały dostępu do produktu.
- Podczas instalacji, eksploatacji, konserwacji i utylizacji akumulatora należy przestrzegać zaleceń producenta.

### OSTRZEŻENIE

#### Niebezpieczeństwo odniesienia obrażeń ciała wskutek dużej masy produktu

Wskutek niewłaściwego podnoszenia i upadku modułów akumulatora podczas transportu lub montażu można odnieść obrażenia ciała.

- Przy podnoszeniu i transporcie produktu należy zachować ostrożność. Należy przy tym mieć na uwadze masę produktu.
- Należy zawsze transportować tylko jeden produkt.
- Produkt należy zawsze przenosić i montować w kilka osób. Liczba osób zależy od lokalnie obowiązujących norm i wytycznych.
- Używać odpowiedniego środka transportu, np. taczki. Uważać, aby nie uszkodzić przy tym obudowy komponentów akumulatora.
- Podczas wszystkich prac przy produkcie należy nosić odpowiednie środki ochrony; obowiązkowe jest przynajmniej obuwie ochronne z podeszwą odporną na przebicie i stalowym noskiem.

**⚠ PRZESTROGA****Niebezpieczeństwo oparzenia od gorących modułów akumulatora**

Podczas pracy moduł akumulatora może się bardzo rozgrzać. Dotknięcie gorących modułów akumulatora może spowodować oparzenia.

- Przed dotknięciem modułu akumulatora należy zaczekać do momentu jego ostygnięcia.

**⚠ PRZESTROGA****Niebezpieczeństwo odniesienia obrażeń przy dotyku ostrych krawędzi**

Podzespoły akumulatora zawierają ostre elementy blaszane. Dotknięcie ostrych elementów blaszanych może spowodować obrażenia ciała.

- Przy montażu i demontażu akumulatora należy nosić rękawice ochronne.

**UWAGA****Ryzyko uszkodzenia modułów akumulatora wskutek wilgoci lub substancji korozyjnych**

Wskutek przeniknięcia wilgoci lub substancji korozyjnych istnieje ryzyko uszkodzenia produktu i pogorszenia jego działania.

- Nie wolno zanurzać modułów akumulatora w cieczy.
- Nie wystawiać ogniw akumulatora na działanie substancji korozyjnych (np. amoniak, sól).

**UWAGA****Niebezpieczeństwo uszkodzenia produktu przez środki czyszczące**

Stosowanie środków czyszczących może spowodować uszkodzenie produktu i jego części.

- Wszystkie komponenty akumulatora należy czyścić wyłącznie suchą szmatką.

### 3 Dodatkowe potrzebne materiały (nie są załączone do urządzenia)





**i Kabel do transmisji danych akumulatora do połączenia pomiędzy SMA Home Storage i Sunny Tripower Smart Energy**

Do połączenia SMA Home Storage i Sunny Tripower Smart Energy należy użyć przygotowanego kabla do transmisji danych akumulatora (nr katalogowy firmy SMA: HS-COM-CBL-3-10). Kabel do transmisji danych akumulatora ma wtyczkę RJ45 i wtyczkę COM.

## 4 Symbole na produkcie

Symbol	Objaśnienie
	Ostrzeżenie przed miejscem zagrożenia Ten symbol wskazuje na konieczność dodatkowego uziemienia produktu, jeśli w miejscu jego instalacji wymagane jest stosowanie drugiego przewodu uziemiającego lub wyrównanie potencjału.
	Ostrzeżenie przed napięciem elektrycznym Produkt pracuje pod wysokim napięciem.
	Ostrzeżenie przed zagrożeniami spowodowanymi przez akumulatory Niniejszy symbol wskazuje na niebezpieczeństwo związane z obchodzeniem się z akumulatorem.
	Ostrzeżenie przed substancjami groźącymi wybuchem Niefachowa obsługa lub pożar mogą spowodować zapłon produktu lub wybuch.
	Ostrzeżenie przed żrącymi substancjami Produkt zawiera żrące substancje mogące spowodować poważne obrażenia przy bezpośrednim zetknięciu ze skórą.
	Przestrzegać dokumentacji Należy przestrzegać treści wszystkich dokumentów dołączonych do produktu.
	Chronić wzrok Podczas wszystkich prac przy urządzeniu należy nosić okulary ochronne.
	Nie używać otwartych źródeł ognia Manipulowanie otwartym ogniem i źródłami zapłonu w bezpośrednim sąsiedztwie produktu jest zabronione.
	Zakaz wstępu dzieciom Dzieciom nie wolno się zbliżać do produktu.
	Uziemienie Tym symbolem jest oznaczone miejsce do podłączenia dodatkowych przewodów ochronnych.



Symbol	Objaśnienie
	Oznakowanie WEEE Produktu nie wolno wyrzucać wraz z odpadami komunalnymi, lecz należy go utylizować zgodnie z obowiązującymi w miejscu montażu przepisami dotyczącymi utylizacji zużytego sprzętu elektrycznego i elektronicznego.
	Produkt może być montowany na zewnątrz budynków.
<b>IP65</b>	Stopień ochrony IP65 Produkt jest chroniony przed kurzem i wodą, która z dowolnej strony pada na obudowę jako strumień.
<b>CE</b>	Oznakowanie CE Produkt spełnia wymogi stosownych dyrektyw Unii Europejskiej.
<b>UK CA</b>	Oznakowanie UKCA Produkt jest zgodny z przepisami stosownych ustaw Anglii, Walii i Szkocji.
	Oznakowanie RoHS Produkt spełnia wymogi stosownych dyrektyw Unii Europejskiej.
	RCM (Regulatory Compliance Mark) Produkt spełnia wymogi stosownych australijskich norm.

## 5 Transport

Ten rozdział zawiera wskazówki bezpieczeństwa, których należy zawsze przestrzegać podczas transportu akumulatora.

### PRZESTROGA

#### Niebezpieczeństwo odniesienia obrażeń ciała wskutek nieprawidłowego transportu

Nieprawidłowy transport lub nieodpowiednie zabezpieczenie podczas transportu może spowodować, że akumulator wywróci się lub ześlizgnie. Ześlizgnięcie się lub wywrócenie akumulatora może spowodować obrażenia ciała.

- Przy podnoszeniu i transporcie akumulatora należy zachować ostrożność. Należy przy tym mieć na uwadze masę akumulatora.
- Akumulator należy ustawić w pojeździe tak, aby był zabezpieczony przed ześlizgnięciem się.
- Zabezpieczyć akumulator przed ześlizgnięciem się i wywróceniem, np. za pomocą pasów.
- Podczas wykonywania wszystkich prac przy akumulatorze należy stosować odpowiednie środki ochrony indywidualnej.

SMA Home Storage (HS-BM-3.28-10) jest towarem niebezpiecznym: UN 3480, baterie litowo-jonowe, klasa 9 (nazwa towaru niebezpiecznego UN 3480, klasa zagrożeń 9). Należy przestrzegać informacji dotyczących bezpieczeństwa akumulatora (patrz informacja techniczna "SMA HOME STORAGE - Safety Information" dostępna na stronie [www.SMA-Solar.com](http://www.SMA-Solar.com)).

Należy stale przestrzegać wszystkich wymagań niemieckiego Rozporządzenia o transporcie drogowym, kolejowym i śródlądowym towarów niebezpiecznych (GGVSEB) oraz Umowy europejskiej dotyczącej międzynarodowego przewozu drogowego towarów niebezpiecznych (ADR):

- Transportem modułów akumulatora na drogach publicznych mogą zajmować się jedynie osoby odpowiednio wyszkolone i wykwalifikowane.
- Należy dokumentować przeprowadzane szkolenia i cyklicznie je powtarzać.
- W pojeździe nie wolno palić podczas jazdy.
- Podczas załadunku i rozładunku pojazdu nie wolno palić w jego wnętrzu ani w jego bezpośrednim sąsiedztwie.
- Nie należy otwierać opakowania zbiorczego modułu akumulatora podczas transportu.
- Podczas transportu należy zapewnić 1 zestaw wyposażenia ochronnego zgodnego z ADR i 2 certyfikowane gaśnice do gaszenia pożarów metali. Gaśnice muszą spełniać wymogi klasy D (minimalna pojemność gaśnicy wynosi 2 kg).

## 6 Deklaracja zgodności UE

zgodna z wymogami dyrektyw UE

- Dyrektywa dotycząca kompatybilności elektromagnetycznej 2014/30/UE (29.3.2014 L 96/79-106) (EMC)
- Dyrektywa niskonapięciowa 2014/35/UE (29.3.2014 L 96/357-374) (LVD)
- Dyrektywa w sprawie ograniczenia stosowania niektórych niebezpiecznych substancji 2011/65/UE (8.6.2011 L 174/88) i 2015/863/UE (31.3.2015 L 137/10) (RoHS)



Firma SMA Solar Technology AG oświadcza niniejszym, że produkty opisane w niniejszym dokumencie spełniają zasadnicze wymagania i inne istotne wymogi określone przez ww. dyrektywy. Szczegółowe informacje dotyczące miejsca udostępnienia pełnej deklaracji zgodności można znaleźć pod adresem <https://www.sma.de/en/ce-ukca>.

## 7 Deklaracja zgodności UK

zgodnie z rozporządzeniami Anglii, Walii i Szkocji

- Electromagnetic Compatibility Regulations 2016 (SI 2016/1091)
- Electrical Equipment (Safety) Regulations 2016 (SI 2016/1101)
- The Restriction of the Use of Certain Hazardous Substances in Electrical and Electronic Equipment Regulations 2012 (SI 2012/3032)



Firma SMA Solar Technology AG oświadcza niniejszym, że produkty opisane w niniejszym dokumencie spełniają zasadnicze wymagania i inne istotne wymogi określone przez ww. rozporządzenia. Szczegółowe informacje dotyczące miejsca udostępnienia pełnej deklaracji zgodności można znaleźć pod adresem <https://www.sma.de/en/ce-ukca>.

### **SMA Solar UK Ltd.**

Countrywide House  
23 West Bar, Banbury  
Oxfordshire, OX16 9SA  
United Kingdom

## Disposições legais

As informações contidas nestes documentos são propriedade da SMA Solar Technology AG. Nenhuma parte deste documento pode ser reproduzida, armazenada num sistema de recuperação de dados ou transmitida de qualquer outra forma (eletrónica, mecânica por meio de fotocópia ou gravação) sem o consentimento prévio por escrito da SMA Solar Technology AG. Uma reprodução interna, destinada à avaliação do produto ou à sua correta utilização, é permitida e não requer autorização.

A SMA Solar Technology AG não concede qualquer garantia ou promessa, explícita ou implicitamente, sobre qualquer documentação ou sobre o software e os acessórios nela descritos. Nesta documentação está incluída, entre outros (mas sem se limitar a), a garantia implícita da viabilidade comercial e adequação a uma determinada finalidade. Todas as promessas e garantias pertinentes são expressamente revogadas pela presente. A SMA Solar Technology AG e os respetivos distribuidores especializados não assumem, sob qualquer circunstância, a responsabilidade por possíveis perdas consequentes ou danos aleatórios, diretos ou indiretos.

A exclusão supracitada das garantias implícitas não pode ser aplicada a todos os casos.

Reserva-se o direito a alterações às especificações. Foram envidados todos os esforços para redigir este documento com o máximo cuidado e mantê-lo atualizado. Os leitores são, contudo, expressamente informados sobre o facto de que a SMA Solar Technology AG se reserva o direito de, sem pré-aviso ou em conformidade com as disposições relevantes do contrato de fornecimento em vigor, efetuar alterações a estas especificações que considere adequadas com vista à melhoria dos produtos e da experiência do utilizador. A SMA Solar Technology AG não assume qualquer responsabilidade por possíveis perdas subsequentes ou danos indiretos ou aleatórios, que decorram com base na confiança do bom funcionamento do material disponível, entre outros, devido à omissão de informações, gralhas, erros de cálculo ou erros estruturais do presente documento.

### Garantia SMA

As condições atuais da garantia podem ser descarregadas da internet em [www.SMA-Solar.com](http://www.SMA-Solar.com).

### Marcas comerciais

Todas as marcas comerciais são reconhecidas, mesmo que não estejam especificamente identificadas como tal. A ausência de identificação não significa que um produto ou uma marca sejam livres.

### SMA Solar Technology AG

Sonnenallee 1

34266 Niestetal

Alemanha

Tel. +49 561 9522-0

Fax +49 561 9522-100

[www.SMA.de](http://www.SMA.de)

E-mail: [info@SMA.de](mailto:info@SMA.de)

Versão: 15/02/2024

Copyright © 2023 SMA Solar Technology AG. Todos os direitos reservados.

# 1 Observações relativas a este documento

## 1.1 Aplicabilidade

Este documento é válido para:

- HS-BM-3.28-10 (SMA Home Storage 3.2)

## 1.2 Grupo-alvo

As atividades descritas neste documento só podem ser executadas por técnicos especializados. Os técnicos especializados devem ter as seguintes qualificações:

- Conhecimento sobre o funcionamento e a operação de um inversor
- Conhecimento sobre o funcionamento e a operação de baterias
- Formação sobre perigos e riscos na instalação, reparação e operação de sistemas, baterias e aparelhos elétricos
- Formação sobre a instalação e colocação em serviço de aparelhos e sistemas elétricos
- Conhecimento das leis, normas, diretivas e regulamentos relevantes
- Conhecimento e cumprimento deste documento, incluindo todos os avisos de segurança

## 1.3 Conteúdo e estrutura do documento

Este documento contém informações relevantes para a segurança, bem como um manual gráfico relativo à instalação e colocação em serviço (ver página 141). Respeite todas as informações e execute as operações representadas na parte gráfica deste documento, seguindo a ordem indicada.

A actual versão deste documento, bem como o manual completo de instalação, colocação em serviço, configuração e colocação fora de serviço estão disponíveis no formato PDF em [www.SMA-Solar.com](http://www.SMA-Solar.com).

As figuras que constam deste documento cingem-se aos pormenores essenciais e podem divergir do produto real.

## 1.4 Níveis de aviso

É possível a ocorrência dos seguintes níveis de aviso ao manusear o produto.

### PERIGO

Assinala um aviso que, se não observado, será imediatamente fatal ou causará lesões graves.

### ATENÇÃO

Assinala um aviso que, se não observado, poderá causar a morte ou lesões graves.



### CUIDADO

Assinala um aviso que, se não observado, poderá causar lesões leves ou moderadas.

## PRECAUÇÃO

Assinala um aviso que, se não observado, poderá causar danos materiais.

### 1.5 Símbolos no documento

Símbolo	Explicação
	Informação importante para um determinado tema ou objetivo, sem ser relevante para a segurança
	Capítulo que contém a representação gráfica da instalação e colocação em funcionamento

## 2 Segurança

### 2.1 Utilização prevista

O SMA Home Storage é um sistema composto por um ou vários módulos de bateria e pode ser usado na SMA Home Storage Solution para aplicações domésticas, p. ex., para a otimização do autoconsumo.

A interface de comunicação do inversor usado tem de ser compatível com o produto. A gama de tensão total tem de se situar totalmente dentro da gama de tensão de entrada admissível do inversor. A tensão de entrada CC máxima do produto não pode ser excedida.

Não podem ser instalados equipamentos consumidores ou componentes adicionais na ligação CC entre a bateria e o inversor.

O produto é adequado à utilização no exterior e no interior.

O produto destina-se a ser utilizado exclusivamente como equipamento estacionário.

As condições operacionais e os requisitos de instalação de todos os componentes têm de ser sempre respeitados.

O produto não é adequado para a alimentação de aparelhos médicos de suporte de vida. Uma falha de corrente não pode originar quaisquer danos em pessoas.

O produto só pode ser utilizado em países para os quais esteja homologado ou para os quais tenha sido aprovado pela SMA Solar Technology AG e pelo operador da rede.

Os produtos da SMA Solar Technology AG não são adequados para utilização em

- dispositivos médicos, nomeadamente produtos destinados ao fornecimento de sistemas e máquinas de suporte à vida,
- aeronaves, a exploração de aeronaves, o fornecimento de infraestruturas aeroportuárias críticas e os sistemas aeroportuários,
- veículos ferroviários, a exploração e o fornecimento de veículos ferroviários e as suas infraestruturas críticas.

A listagem acima não é exaustiva. Contacte-nos se não tiver a certeza se os produtos da SMA Solar Technology AG são adequados para o seu caso de aplicação.

Utilizar os produtos SMA exclusivamente de acordo com as indicações da documentação em anexo e os regulamentos e as leis, disposições e normas em vigor no local de instalação. Qualquer outra utilização pode resultar em danos físicos ou materiais.

Intervenções nos produtos SMA, p. ex., modificações e conversões, só são permitidas se tal for expressamente autorizado, por escrito, pela SMA Solar Technology AG. Intervenções não autorizadas têm como consequência a cessação dos direitos relativos à garantia, bem como, em regra, a anulação da licença de operação. A SMA Solar Technology AG não assume qualquer responsabilidade por danos resultantes de tais intervenções.

Qualquer outra utilização do produto, que não se encontre descrita como utilização prevista, é considerada desadequada e indevida.

Os documentos fornecidos são parte integrante do produto. Os documentos têm de ser lidos, respeitados e guardados sempre em local acessível e seco.

Este documento não substitui quaisquer leis, disposições ou normas regionais, estatais, territoriais, federais ou nacionais em vigor para a instalação e a segurança elétrica e para a aplicação do produto. A SMA Solar Technology AG não assume qualquer responsabilidade pelo cumprimento ou incumprimento destas leis e disposições no âmbito da instalação do produto.

A placa de identificação tem de estar sempre afixada no produto.

## 2.2 Avisos de segurança importantes

Guardar o manual.

Este capítulo contém avisos de segurança que têm de ser sempre respeitados durante todos os trabalhos.

O produto foi desenvolvido e testado de acordo com os requisitos internacionais de segurança. Apesar de uma construção cuidadosa, existem riscos residuais, tal como em todos os aparelhos elétricos ou eletrónicos. Para evitar danos pessoais e materiais e para garantir um funcionamento duradouro do produto, leia este capítulo com atenção e siga sempre todos os avisos de segurança.

### PERIGO

#### **Perigo de morte devido a choque elétrico por contacto com cabos CC condutores de tensão**

Os cabos CC ligados a uma bateria podem estar sob tensão. O contacto com cabos condutores de tensão CC é causa de morte ou ferimentos graves devido a choque elétrico.

- Seccionar completamente o produto e o inversor (colocando-os sem tensão) e proteger contra religação antes de iniciar quaisquer trabalhos.
- Não tocar em peças ou cabos condutores de tensão expostos.
- Não separar os conectores de ficha CC sob carga.
- Ao executar quaisquer trabalhos no produto, usar sempre equipamento de proteção pessoal adequado.

**! PERIGO****Perigo de morte devido a choque elétrico em caso de contacto com peças da caixa sob tensão, com o condutor de proteção danificado**

No caso de o condutor de proteção da ligação CC estar danificado ou não estar corretamente ligado, poderão verificar-se tensões elevadas junto à caixa do produto. O contacto com peças da caixa condutoras de tensão é causa de morte ou ferimentos graves devido a choque elétrico.

- Ligar o condutor de ligação à terra para a ligação CC tal como descrito neste documento.

**! PERIGO****Perigo de morte devido a fogo ou explosão provocado(a) pelo manuseamento incorreto dos módulos de bateria**

Em caso de manuseamento incorreto dos módulos de bateria, o lítio presente no interior dos módulos de bateria pode incendiar. Consequentemente, pode ser desencadeado um incêndio ou uma explosão. Isto pode resultar em morte ou ferimentos mortais causados por peças quentes ou projecção de fragmentos.

- Nunca utilizar módulos de bateria com defeito ou danificados.
- Não abrir, perfurar ou deixar cair os módulos de bateria.
- Não montar nem operar os módulos de bateria em áreas onde exista perigo de explosão ou em áreas com elevada humidade do ar.
- Não expor os módulos de bateria a temperaturas elevadas.
- Não atirar os módulos de bateria para o fogo.
- Armazenar os módulos de bateria secos e dentro da gama de temperatura indicada.
- Se a bateria incendiar, chamar os bombeiros de imediato. Devido à emissão de gases tóxicos, a extinção do incêndio constitui risco de explosão e de rápida propagação.
- Em caso de incêndio na proximidade da bateria, utilizar um extintor ABC.

**! PERIGO****Perigo de morte devido a choque elétrico causado pelo caso de contacto com peças do sistema sob tensão em caso de defeito à terra**

No caso de defeito à terra, as peças do sistema podem encontrar-se sob tensão. O contacto com peças ou cabos condutores de tensão é causa de morte ou ferimentos graves devido a choque elétrico.

- Seccionar completamente o produto e o inversor (colocando-os sem tensão) e proteger contra religação antes de iniciar quaisquer trabalhos.
- Não tocar nas peças da estrutura inferior.



**⚠ PERIGO****Perigo de morte devido a choque elétrico por contacto com peças condutoras de tensão com o produto aberto**

Durante a operação, as peças e os cabos condutores de tensão que se encontram no interior do produto possuem tensões elevadas. O contacto com peças e cabos condutores de tensão é causa de morte ou ferimentos graves devido a choque elétrico.

- Não abrir o produto.

**⚠ ATENÇÃO****Perigo de vida devido a choque elétrico em caso de destruição de um aparelho de medição devido a sobretensão**

Uma sobretensão pode danificar um aparelho de medição e originar tensão na caixa do aparelho de medição. O contacto com a caixa do aparelho de medição sob tensão é causa de morte ou ferimentos graves devido a choque elétrico.

- Utilizar apenas aparelhos de medição com um intervalo de tensão de entrada CC de até, no mínimo, 1500 V ou superior.

**⚠ ATENÇÃO****Perigo de vida na sequência de queimaduras causadas por arco elétrico devido a correntes de curto-circuito**

Correntes de curto-circuito da bateria podem gerar calor e originar arcos elétricos. O calor e o arco elétrico podem provocar lesões fatais na sequência de queimaduras.

- Antes de quaisquer trabalhos na bateria, colocar a bateria sem tensão.
- Antes de efectuar qualquer trabalho na bateria, retirar relógios, anéis e outros objectos metálicos.
- Ao executar qualquer trabalho na bateria, utilizar ferramentas e luvas isoladas.
- Não pousar quaisquer ferramentas ou peças metálicas sobre a bateria.

**⚠ ATENÇÃO****Perigo de morte devido a fogo ou explosão com baterias em descarga profunda**

O carregamento incorreto de baterias em descarga profunda pode causar um incêndio. Isto pode resultar em morte ou lesões graves.

- Colocar a bateria em funcionamento, o mais tardar, 6 meses após a entrega.
- Se a bateria não puder ser colocada em funcionamento no prazo de 6 meses, solicitar uma nova ciclização do armazenamento de bateria ao serviço de assistência.
- Antes de colocar o sistema em funcionamento, garantir que a bateria não está em descarga profunda.
- Não operar o sistema se a bateria estiver em descarga profunda.
- No caso de descarga profunda da bateria, contactar o serviço de assistência.

**⚠ ATENÇÃO****Perigo de lesões causados por substâncias, poeiras e gases tóxicos**

Em raros casos isolados, poderão surgir substâncias, gases e poeiras tóxicas no interior do produto, devido aos danos nos componentes eletrónicos. O contacto com substâncias tóxicas, bem como a inalação de poeiras e gases tóxicos podem provocar irritações na pele, queimaduras, dificuldades respiratórias e náuseas.

- Proteger a caixa da bateria contra danos irreversíveis.
- Não abrir nem deformar a bateria.
- Não lançar a bateria ao fogo. As baterias podem explodir no fogo.
- Realizar os trabalhos na bateria (p. ex., localização de erros, trabalhos de reparação) apenas com equipamento de proteção pessoal para o manuseamento com substâncias perigosas (p. ex., luvas de proteção, proteção ocular e facial e proteção respiratória).
- Enxaguar os salpicos ácidos com água limpa abundante e prolongadamente e, em seguida, consultar um médico.
- Em caso de inalação de vapores ácidos, consultar um médico de imediato.
- Garantir que pessoas não autorizadas não podem aceder ao produto.
- Instalar, operar, manter e eliminar a bateria de acordo com as especificações do fabricante.

**⚠ ATENÇÃO****Perigo de ferimentos devido ao peso do produto**

Possibilidade de ferimentos devido a uma elevação incorreta e à queda do módulo de bateria durante o transporte ou a montagem

- Transportar e levantar o produto com cuidado. Ter atenção ao peso do produto.
- Transportar o produto apenas individualmente.
- O produto deve ser sempre transportado e montado por várias pessoas. Para o efeito, consultar o número de pessoas nas normas e diretivas válidas no local.
- Utilizar um meio de transporte adequado, por ex., carrinho de transporte. Nesse processo, não danificar a caixa dos componentes da bateria.
- Ao executar qualquer trabalho no produto, usar sempre equipamento de proteção pessoal adequado, pelo menos, calçado de segurança com sola resistente e biqueira de aço.

**⚠ CUIDADO****Perigo de queimaduras devido a módulos de bateria quentes**

O módulo de bateria pode aquecer durante o funcionamento. Tocar nos módulos de bateria quentes pode provocar queimaduras.

- Antes de tocar no módulo de bateria, aguardar até este ter arrefecido.

**⚠ CUIDADO****Perigo de ferimentos devido a arestas vivas**

Os componentes da bateria contêm componentes de chapa de arestas vivas. O contacto com componentes de chapa de arestas vivas pode causar ferimentos.

- Para a montagem e desmontagem da bateria, usar luvas de proteção.

**PRECAUÇÃO****Danos do módulo de bateria devido a humidade ou substâncias corrosivas**

A penetração de humidade ou de substâncias corrosivas pode danificar o produto e comprometer o funcionamento.

- Não mergulhar o módulo de bateria em líquidos.
- Não expor as células de bateria a quaisquer substâncias corrosivas (por ex., amoníaco, sal).

**PRECAUÇÃO****Danos no produto causados por produtos de limpeza**

O produto e as peças do produto podem ser danificados devido à utilização de produtos de limpeza.



- Limpar os componentes da bateria apenas com um pano seco.

### 3 Material adicional necessário (não incluído no material fornecido)





#### **i** Cabo de comunicação da bateria para a ligação entre SMA Home Storage e Sunny Tripower Smart Energy

A ligação entre SMA Home Storage e Sunny Tripower Smart Energy requer um cabo de comunicação da bateria pré-montado (número de encomenda SMA: HS-COM-CBL-3-10). Este cabo de comunicação da bateria tem uma ficha RJ45 e uma ficha COM.

### 4 Símbolos no produto

Símbolo	Explicação
	Aviso de um ponto de perigo Este símbolo indica que o produto tem de ser ligado adicionalmente à terra se no local for exigida uma ligação adicional à terra ou uma ligação equipotencial.
	Aviso de uma tensão elétrica O produto funciona com tensões elevadas.

Símbolo	Explicação
	Aviso de perigos causados por baterias Este símbolo avisa para os perigos inerentes ao manuseamento de baterias.
	Atenção a substâncias explosivas Em caso de manuseamento incorreto ou de incêndio, o produto pode incendiar ou explodir.
	Atenção a substâncias corrosivas O produto contém substâncias corrosivas que, em caso de contacto direto com a pele, podem provocar ferimentos graves.
	Respeitar a documentação Respeite toda a documentação fornecida com o produto.
	Utilizar proteção ocular Ao executar qualquer trabalho no aparelho, deve ser utilizada proteção ocular.
	Nenhumas chamas abertas É proibido o manuseamento de chamas abertas e de fontes de ignição na proximidade imediata do produto.
	Acesso interdito a crianças Manter as crianças afastadas do produto.
	Ligação à terra Este símbolo identifica o local para a ligação de um condutor de proteção adicional.
	Marcação REEE Não eliminar o produto com o lixo doméstico, mas de acordo com as normas de eliminação de sucata eletrónica em vigor no local de instalação.
	O produto é adequado à montagem no exterior.
<b>IP65</b>	Grau de protecção IP65 O produto está protegido contra a entrada de pó e da água que é administrada contra a caixa em forma de jatos provenientes de todas as direções.

Símbolo	Explicação
	<p>Marcação CE</p> <p>O produto está em conformidade com os requisitos das diretivas UE aplicáveis.</p>
	<p>Marcação UKCA</p> <p>O produto cumpre as disposições das leis aplicáveis da Inglaterra, do País de Gales e da Escócia.</p>
	<p>Marcação RoHS</p> <p>O produto está em conformidade com os requisitos das diretivas UE aplicáveis.</p>
	<p>RCM (Regulatory Compliance Mark)</p> <p>O produto está em conformidade com os requisitos das normas australianas aplicáveis.</p>

## 5 Transporte

Este capítulo contém avisos de segurança que têm de ser sempre respeitados durante o transporte da bateria.

### CUIDADO

#### Perigo de ferimentos devido a transporte incorreto

A bateria pode escorregar ou tomar devido a um transporte incorreto ou à ausência de travas de transporte. Se a bateria escorregar ou tomar, tal pode causar ferimentos.

- Transportar e elevar a bateria com cuidado. Enquanto isso, ter atenção ao peso da bateria.
- Pousar a bateria no veículo com proteção antiderrapante.
- Proteger a bateria, p. ex., com cintas de fixação para impedir que escorregue e tombe.
- Durante todos os trabalhos na bateria, usar equipamento de proteção pessoal adequado.

O SMA Home Storage (HS-BM-3.28-10) é uma mercadoria perigosa: UN 3480 Bateria de iões de lítio, classe 9 (designação da mercadoria perigosa UN 3480, classe de perigo 9). As informações de segurança da bateria devem ser observadas (ver informação técnica "SMA HOME STORAGE - Safety Information" em [www.SMA-Solar.com](http://www.SMA-Solar.com)).

Todos os requisitos do regulamento relativo ao transporte rodoviário, ferroviário e marítimo interno de mercadorias perigosas (GGVSEB) e do acordo relativo ao transporte rodoviário internacional de mercadorias perigosas (ADR) têm de ser sempre respeitados:

- O transporte dos módulos de bateria na via pública apenas pode ser realizado por pessoal formado e instruído.
- As instruções devem ser documentadas e executadas periodicamente.
- Durante a condução, não é permitido fumar no veículo.
- Durante a carga e a descarga do veículo, não é permitido fumar no próprio veículo ou na sua proximidade imediata.

- A embalagem exterior do módulo de bateria não pode ser aberta durante o transporte.
- Durante o transporte, devem ser transportados 1 equipamento para mercadorias perigosas em conformidade com o ADR e 2 extintores de metal testados. Os extintores devem estar em conformidade com a classe de fogo D (capacidade mínima de 2 kg).

## 6 Declaração de conformidade UE

nos termos das diretivas UE

- Compatibilidade eletromagnética 2014/30/UE (29.3.2014 L 96/79-106) (CEM)
- Baixa tensão 2014/35/UE (29.3.2014 L 96/357-374) (DBT)
- Restrição do uso de determinadas substâncias perigosas 2011/65/UE (08.06.2011 L 174/88) e 2015/863/UE (31.03.2015 L 137/10) (RoHS)



Pela presente, a SMA Solar Technology AG declara que os produtos descritos neste documento estão em conformidade com os requisitos fundamentais e outras disposições relevantes das diretivas acima mencionadas. Encontrará informações adicionais sobre a possibilidade de localizar a declaração de conformidade completa em <https://www.sma.de/en/ce-ukca>.

## 7 Declaração de conformidade UK

de acordo com os regulamentos da Inglaterra, do País de Gales e da Escócia

- Electromagnetic Compatibility Regulations 2016 (SI 2016/1091)
- Electrical Equipment (Safety) Regulations 2016 (SI 2016/1101)
- The Restriction of the Use of Certain Hazardous Substances in Electrical and Electronic Equipment Regulations 2012 (SI 2012/3032)



Pela presente, a SMA Solar Technology AG declara que os produtos descritos neste documento estão em conformidade com os requisitos fundamentais e outras disposições relevantes dos regulamentos acima mencionados. Encontrará informações adicionais sobre a possibilidade de localizar a declaração de conformidade completa em <https://www.sma.de/en/ce-ukca>.

### SMA Solar UK Ltd.

Countrywide House  
23 West Bar, Banbury  
Oxfordshire, OX16 9SA  
United Kingdom

## Prevederi legale

Informațiile conținute în aceste documente reprezintă proprietatea SMA Solar Technology AG. Nicio parte a acestui document nu poate fi multiplicată, stocată într-un sistem de recuperare a datelor sau transmisă în orice alt mod (electronic, mecanic prin fotocopiere sau înregistrare) fără acordul prealabil scris din partea SMA Solar Technology AG. Multiplicarea internă, destinată evaluării produsului sau utilizării corespunzătoare, este permisă și nu necesită acordul firmei.

SMA Solar Technology AG nu oferă nicio garanție, în mod expres sau implicit, cu privire la orice documentație sau la software-ul și accesoriile descrise în aceasta. Acestea includ printre altele (dar nu se limitează la acestea) garanția comercială implicită și a eligibilității unui anumit scop. Toate aceste asigurări sau garanții sunt respinse în mod expres prin prezenta. SMA Solar Technology AG și comercianții săi specializați nu sunt în niciun caz responsabili pentru orice pierderi sau daune secundare directe sau indirecte, care pot apărea.

Excluderea mai sus menționată a garanțiilor implicite nu poate fi aplicată în toate cazurile.

Ne rezervăm dreptul asupra modificărilor specificațiilor. Au fost întreprinse toate eforturile pentru a întocmi acest document cu cea mai mare atenție și pentru a-l menține actualizat. Cititorii sunt totuși atenționați că SMA Solar Technology AG își rezervă dreptul de a modifica aceste specificații fără notificare, resp. conform dispozițiilor relevante din contractul de livrare existent, pe care le consideră adecvate pentru îmbunătățirea produselor și a experiențelor de utilizare. SMA Solar Technology AG nu își asumă responsabilitatea pentru niciun fel de pierderi sau daune indirecte, accidentale sau rezultate ca urmare a încrederii acordate prezentului material, inclusiv ca urmare a nerespectării informațiilor, din cauza greșelilor de dactilografiere, greșelilor de calcul sau erorilor din structura acestui document.

### Garanție SMA

Condițiile actuale de acordare a garanției le puteți descărca de pe internet, de la adresa [www.SMA-Solar.com](http://www.SMA-Solar.com).

### Mărci

Toate mărcile sunt recunoscute, inclusiv în cazul în care nu sunt semnalizate explicit ca atare. Absența emblemei mărcii nu înseamnă că un produs sau o marcă poate fi comercializată liber.

### SMA Solar Technology AG

Sonnenallee 1

34266 Niestetal

Germania

Tel. +49 561 9522-0

Fax +49 561 9522-100

[www.SMA.de](http://www.SMA.de)

E-mail: [info@SMA.de](mailto:info@SMA.de)

Ediția: 15.02.2024

Copyright © 2023 SMA Solar Technology AG. Toate drepturile rezervate.

# 1 Indicații privind acest document

## 1.1 Domeniul de valabilitate

Acest document este valabil pentru:

- HS-BM-3.28-10 (SMA Home Storage 3.2)

## 1.2 Grupul-țintă

Activitățile descrise în acest document se vor realiza numai de către personal de specialitate. Personalul de specialitate trebuie să dispună de următoarele calificări:

- să cunoască modul de funcționare și exploatare a unui invertor
- să cunoască modul de funcționare și exploatare a bateriilor
- să fi absolvit un instructaj cu privire la pericolele și riscurile la instalarea și operarea aparatelor, bateriilor și instalațiilor
- să dispună de pregătire profesională pentru instalarea și punerea în funcțiune a aparatelor și instalațiilor electrice
- Cunoașterea legilor, reglementărilor, normelor și directivelor aplicabile în domeniu
- Să cunoască și să respecte acest document, cu toate indicațiile de siguranță

## 1.3 Cuprinsul și structura documentului

Acest document conține informații relevante privind siguranța, precum și un manual grafic pentru instalare și punere în funcțiune (vezi pagina 141). Respectați toate informațiile și executați acțiunile reprezentate grafic în ordinea indicată.

Versiunea actuală a acestui document, precum și instrucțiunile detaliate pentru instalarea, punerea în funcțiune, configurarea și scoaterea din funcțiune sunt disponibile în format PDF la adresa [www.SMA-Solar.com](http://www.SMA-Solar.com).

Figurile din prezentul document sunt reduse la detaliile esențiale și pot diferi de produsul real.

## 1.4 Tipuri de avertismente

Următoarele tipuri de avertismente pot apărea în timpul manipulării produsului.

### PERICOL

Reprezintă un avertisment a cărui nerespectare duce în mod nemijlocit la deces sau la vătămări corporale grave.

### AVERTISMENT

Reprezintă un avertisment a cărui nerespectare poate duce la deces sau la vătămări corporale grave.

### PRECAUȚIE



Reprezintă un avertisment a cărui nerespectare poate duce la vătămări corporale de gravitate ușoară sau medie.



**ATENȚIE**

Reprezintă un avertisment a cărui nerespectare poate duce la apariția de daune materiale.

**1.5 Simbolurile din document**

Simbol	Explicație
	Informație importantă pentru o anumită temă sau pentru un anumit scop, dar irelevantă pentru siguranță
	Capitol cu reprezentarea grafică a instalării și a punerii în funcțiune

**2 Siguranța****2.1 Utilizarea corespunzătoare**

SMA Home Storage este un sistem compus din unul sau mai multe module de baterii și poate fi utilizat în SMA Home Storage Solution pentru aplicații casnice, de ex., pentru optimizarea consumului propriu.

Interfața de comunicație a invertorului utilizat trebuie să fie compatibilă cu produsul. Întregul interval de tensiune trebuie să se încadreze complet în intervalul admis de tensiuni de intrare al invertorului. Depășirea tensiunii de intrare DC maxim admise a produsului este interzisă.

În conexiunea DC între baterie și invertor nu pot fi prevăzuți/prevăzute consumatori sau componente suplimentari/suplimentare.

Produsul este adecvat pentru utilizarea în exterior și interior.

Produsul se va utiliza exclusiv ca echipament staționar.

Respectarea intervalului de funcționare permis și a cerințelor de instalare este obligatorie în orice circumstanță, pentru toate componentele.

Produsul nu este adecvat pentru alimentarea aparatelor medicale pentru menținerea funcțiilor vitale. O pană de curent nu trebuie să antreneze nicio vătămare corporală.

Produsul nu poate fi folosit decât în țările pentru care este omologat sau pentru care este autorizat de către SMA Solar Technology AG sau de către exploataatorul rețelei.

Produsele de la SMA Solar Technology AG nu sunt adecvate pentru utilizarea în

- dispozitive medicale, în special produse pentru alimentarea cu energie electrică a sistemelor și aparatelor de susținere a vieții,
- aeronave, operarea aeronavelor, alimentarea cu energie electrică a infrastructurilor aeroportuare și a sistemelor aeroportuare critice,
- vehicule feroviare, operarea și alimentarea cu energie electrică a vehiculelor feroviare și a infrastructurii critice a acestora.

Enumerarea precedentă nu este exhaustivă. Contactați-ne dacă nu sunteți sigur dacă produsele de la SMA Solar Technology AG sunt adecvate pentru aplicația dvs. specifică.

Utilizați produsele SMA doar conform indicațiilor din documentațiile anexate și conform legilor, dispozițiilor, regulamentelor și normelor valabile la fața locului. O altfel de utilizare poate provoca vătămări corporale și daune materiale.

Intervențiile în produsele SMA, cum sunt modificările și transformările, sunt permise numai cu acordul expres, dat în scris, al SMA Solar Technology AG. Intervențiile neautorizate duc la anularea drepturilor de garanție legală și comercială, antrenând de regulă și retragerea autorizației de funcționare. Societatea SMA Solar Technology AG nu își asumă răspunderea pentru daune cauzate de asemenea intervenții.

Orice altă utilizare a produsului în afara celei descrise în secțiunea Utilizare conformă este considerată neconformă.

Documentațiile atașate constituie parte componentă a produsului. Documentațiile trebuie citite, respectate și păstrate într-un loc uscat, așa încât să fie accesibile în orice moment.

Acest document nu înlocuiește legile regionale, ale țării, provinciei, federației ori legile naționale, și nici regulamentele sau normele aplicabile pentru instalarea, siguranța electrică și utilizarea produsului. SMA Solar Technology AG nu își asumă răspunderea pentru respectarea, respectiv nerespectarea acestor legi sau dispoziții în legătură cu instalarea produsului.

Plăcuța de fabricație trebuie să rămână tot timpul aplicată pe produs.

## 2.2 Indicații importante de siguranță

Păstrarea instrucțiunilor.

Acest capitol conține indicații de siguranță care trebuie respectate la toate lucrările efectuate.

Produsul a fost proiectat și testat conform standardelor internaționale de siguranță. În ciuda proiectului atent elaborat, există - ca la orice aparat electric sau electronic - riscuri reziduale. Pentru a evita vătămările corporale și daunele materiale și a garanta o funcționare permanentă a produsului, citiți cu atenție acest capitol și respectați în orice moment toate indicațiile de siguranță.

### PERICOL

#### **Pericol de deces prin electrocutare la atingerea cablurilor DC aflate sub tensiune**

Cablurile DC care sunt conectate la o baterie se pot afla sub tensiune. Atingerea cablurilor DC conducătoare de tensiune duce la deces sau la accidentări grave prin electrocutare.

- Înainte de efectuarea oricăror lucrări, scoateți produsul invertorul de sub tensiune și asigurați-le împotriva repornirii.
- Nu atingeți componente sau cabluri expuse aflate sub tensiune.
- Nu separați conectorii DC sub sarcină.
- În timpul tuturor lucrărilor la produs, purtați echipament individual de protecție adecvat.

**! PERICOL****Pericol de deces prin electrocutare la atingerea pieselor carcasi aflate sub tensiune, dacă conductorul PE este deteriorat**

În cazul în care conductorul de protecție al conexiunii DC este deteriorat sau a fost conectat incorect, carcasa produsului poate prezenta tensiuni înalte. Atingerea pieselor carcasi conducătoare de tensiune duce la deces sau la accidentări cauzatoare de moarte prin electrocutare.

- Conectați conductorul de protecție pentru conexiunea DC conform descrierii din acest document.

**! PERICOL****Pericol de moarte prin incendiu sau explozie din cauza manipulării necorespunzătoare a modulelor de baterii**

În cazul manipulării necorespunzătoare a modulelor de baterii, litiul din interiorul modulelor de baterii se poate aprinde. Prin aceasta se poate declanșa un incendiu sau o explozie. Urmarea o poate reprezenta decesul sau accidentările mortale din cauza pieselor fierbinți sau proiectate în afară.

- Nu utilizați niciodată module de baterii defecte sau deteriorate.
- Nu deschideți, nu perforați sau scăpați pe jos modulele de baterii.
- Nu montați și nu utilizați modulele de baterii în zone potențial explozive sau în zone cu umiditate ridicată.
- Nu expuneți modulele de baterii la temperaturi ridicate.
- Nu aruncați în foc modulele de baterii.
- Depozitați modulele de baterii într-un loc uscat și în intervalul de temperatură specificat.
- Dacă se declanșează un incendiu de la baterie, anunțați imediat pompierii. Stingerea implică un risc ridicat din cauza gazelor toxice, a riscului de explozie și a răspândirii rapide.
- În cazul unui incendiu în mediul din jurul bateriei, utilizați un extingtor ABC.

**! PERICOL****Pericol de deces prin electrocutare la atingerea componentelor instalației aflate sub tensiune, în cazul unui deranjament prin punere la pământ**

La punerea la pământ componentele instalației se pot afla sub tensiune. Atingerea componentelor sau a cablurilor aflate sub tensiune duce la deces sau la accidentări cauzatoare de moarte prin electrocutare.

- Înainte de efectuarea oricăror lucrări, scoateți produsul inverterului de sub tensiune și asigurați-le împotriva repornirii.
- Nu atingeți elementele subconstrucției.

 **PERICOL**
**Pericol de deces prin electrocutare la atingerea componentelor conducătoare de tensiune când produsul este deschis**

În timpul funcționării componentele și cablurile conducătoare de tensiune din interiorul produsului prezintă tensiuni mari. Atingerea componentelor sau a cablurilor aflate sub tensiune duce la deces sau la accidentări cauzatoare de moarte prin electrocutare.

- Nu deschideți produsul.

 **AVERTISMENT**
**Pericol de moarte prin electrocutare la distrugerea aparatului de măsură din cauza supratensiunii**

Supratensiunea poate Atingerea carcasei aflate sub tensiune a aparatului de măsură duce la deces sau la accidentări cu pericol de deces prin electrocutare.

- Nu utilizați decât aparate de măsură cu un interval de tensiuni de intrare DC de până la cel puțin 1500 V sau mai mari.

 **AVERTISMENT**
**Pericol de deces prin arsuri, în caz de arcuri electrice provocate de curenți de scurtcircuit**

Curenții de scurtcircuit ai bateriei pot cauza formări de căldură și arcuri electrice. Căldura dezvoltată și arcurile electrice pot cauza accidentări potențial mortale, prin arsuri.

- Înainte de toate lucrările efectuate la baterie, scoateți bateria de sub tensiune.
- Înainte de toate lucrările la baterie, scoateți-vă ceasurile, inelele și alte obiecte metalice.
- La toate lucrările la baterie utilizați scule izolate și mănuși izolate.
- Nu puneți scule sau piese metalice pe baterie.

 **AVERTISMENT**
**Pericol de deces prin incendiu sau explozie la bateriile în stare de descărcare profundă**

Încărcarea defectuoasă a bateriilor în stare de descărcare profundă poate cauza un incendiu. Urmarea pot fi decesul sau vătămări corporale grave.

- Puneți bateria în funcțiune în decurs de cel mult 6 luni de la livrare.
- Dacă bateria nu poate fi pusă în funcțiune în decurs de 6 luni, solicitați o reciclare a acumulatorului bateriei de departamentul de service.
- Înainte de punerea în funcțiune a sistemului, asigurați-vă că bateria nu se află în stare de descărcare profundă.
- Nu puneți în funcțiune sistemul, dacă bateria este în stare de descărcare profundă.
- Dacă bateria este în stare de descărcare profundă, contactați departamentul de service.

**⚠ AVERTISMENT****Pericol de accidentare din cauza substanțelor, gazelor și pulberilor toxice**

În cazuri individuale rare, din cauza deteriorării componentelor electronice, se pot forma substanțe, gaze și pulberi toxice în interiorul produsului. Atingerea substanțelor toxice, precum și inspirarea gazelor și pulberilor toxice pot cauza iritări ale pielii, arsuri, dificultăți respiratorii și greață.

- Protejați carcasa bateriei împotriva distrugerii.
- Nu deschideți și nu deformați bateria.
- Nu aruncați în foc bateria. În foc, bateriile pot exploda.
- Nu efectuați lucrări asupra bateriei (de ex., depanare, lucrări de reparație) decât cu echipament individual de protecție pentru manevrarea substanțelor periculoase (de ex., mănuși de protecție, protecție pentru ochi și față și protecție respiratorie).
- Îndepărtați stropii de acid spălând mult timp și temeinic cu apă curată și apoi consultați un medic.
- Dacă ați inspirat vapori de acid, consultați imediat un medic.
- Asigurați-vă că persoanele neautorizate nu au acces la produs.
- Instalați, întrețineți și eliminați bateria conform specificațiilor producătorului.

**⚠ AVERTISMENT****Pericol de accidentare din cauza greutății produsului**

Ridicarea greșită și căderea modelor de baterii în timpul transportului sau a montării pot provoca vătămări

- Transportați și ridicați cu atenție produsul. Acordați atenție greutății produsului.
- Transportați produsul numai individual.
- Transportați și montați întotdeauna produsul cu mai multe persoane. Numărul de persoane necesare în acest scop depinde de normele și de liniile directoare locale.
- Folosiți echipamente de transport adecvate, de ex., lize. Nu deteriorați carcasa componentelor bateriei.
- În timpul tuturor lucrărilor asupra produsului, purtați echipament individual de protecție adecvat, cel puțin încălțăminte de siguranță cu tălpi rezistente la perforare și vârfuri din oțel.

**⚠ PRECAUȚIE****Pericol de arsuri din cauza modulelor de baterii fierbinți**

Modulul de baterii poate deveni fierbinte în timpul utilizării. Atingerea modulelor de baterii fierbinți poate provoca arsuri.

- Înainte de a atinge modulul de baterii, așteptați până când modulele de baterii s-au răcit.

### PRECAUȚIE

#### **Pericol de vătămare corporală cauzat de muchii tăioase**

Componentele bateriei conțin părți din tablă cu muchii tăioase. Atingerea pieselor din tablă cu muchii tăioase se poate solda cu vătămări.

- La montarea și demontarea bateriei, purtați mănuși de protecție.

### ATENȚIE

#### **Deteriorarea modulelor de baterii din cauza umidității sau a substanțelor corozive**

Pătrunderea umidității sau a substanțelor corozive poate cauza deteriorarea produsului și poate afecta funcționarea acestuia.

- Nu scufundați modulele de baterii în lichid.
- Nu expuneți pilele bateriilor la substanțe corozive (de ex., amoniac, sare).

### ATENȚIE

#### **Deteriorarea produsului din cauza detergenților**

Produsul sau piese ale produsului pot fi deteriorate din cauza utilizării de detergenți.



- Curățați toate componentele bateriilor doar cu o cârpă uscată.











## 3 Materiale suplimentare necesare (nu sunt cuprinse în setul de livrare)




### **Cablu de comunicare pentru baterii pentru conexiunea între SMA Home Storage și Sunny Tripower Smart Energy**

Pentru conexiunea între SMA Home Storage și Sunny Tripower Smart Energy trebuie utilizat un cablu de comunicare pre-confecționat pentru baterii (număr de comandă SMA: HS-COM-CBL-3-10). Acest cablu de comunicare are un ștecher RJ45 și un ștecher COM.

## 4 Simbolurile de pe produs

Simbol	Explicație
	Avertisment: zonă periculoasă Acest simbol atrage atenția asupra faptului că produsul trebuie împământat suplimentar atunci când, la fața locului, este necesară o pământare suplimentară sau o legătură echipotențială.
	Avertisment: tensiune electrică Produsul lucrează cu tensiuni mari.

Simbol	Explicație
	Avertizare privind pericolele din cauza bateriilor Acest simbol indică pericolozitatea manipulării bateriilor.
	Avertizare privind substanțele explozibile În cazul manipulării necorespunzătoare sau în cazul unui incendiu, produsul se poate aprinde sau exploda.
	Avertizare privind substanțele corozive Produsul conține substanțe corozive care pot provoca vătămări grave dacă intră în contact direct cu pielea.
	Respectați documentațiile Respectați toate documentațiile livrate o dată cu produsul.
	Utilizați echipament de protecție pentru ochi În timpul tuturor lucrărilor la dispozitiv trebuie utilizat un echipament de protecție pentru ochi.
	Fără flacără deschisă Utilizarea flăcării deschise și a surselor de aprindere este interzisă în imediata apropiere a produsului.
	Accesul copiilor interzis Accesul copiilor la produs trebuie împiedicat.
	Împământare Acest simbol marchează locul pentru conectarea conductorilor de protecție suplimentari.
	Marcaj WEEE Nu aruncați produsul la gunoiul menajer, ci respectând normele de colectare valabile pentru deșeurile electrice și electronice de la locul de instalare.
	Produsul este adecvat pentru montarea în exterior.
<b>IP65</b>	Tip de protecție IP65 Produsul este protejat împotriva pătrunderii prafului și apei îndreptate din orice direcție, sub formă de jet, înspre carcasă.
<b>CE</b>	Marcaj CE Produsul corespunde cerințelor directivelor CE aplicabile.

Simbol	Explicație
	Marcaj UKCA Produsul răspunde regulamentelor din legile aplicabile din Anglia, Țara Galilor și Scoția.
	Marcaj RoHS Produsul corespunde cerințelor directivelor CE aplicabile.
	RCM (Regulatory Compliance Mark) Produsul corespunde cerințelor directivelor australiene aplicabile.

## 5 Transport

Acest capitol conține indicații de siguranță care trebuie întotdeauna respectate la transportul bateriei.

### PRECAUȚIE

#### Pericol de vătămare cauzat de transportul necorespunzător

Bateria poate aluneca sau se poate răsturna din cauza transportului necorespunzător sau a asigurării necorespunzătoare în timpul transportului. Alunecarea sau răsturnarea bateriei poate provoca vătămări.

- Transportați și ridicați cu atenție bateria. Atenție la greutatea bateriei.
- Poziționați bateria în vehicul astfel încât să nu alunece.
- Fixați bateria, de ex., cu benzi de fixare, pentru a preveni alunecarea și răsturnarea acesteia.
- Purtați echipament individual de protecție adecvat în timpul tuturor lucrărilor la baterie.

SMA Home Storage (HS-BM-3.28-10) este marfă periculoasă: baterie litiu-ion UN 3480, clasa 9 (denumirea mărfii periculoase UN 3480, clasa de pericol 9). Informațiile de siguranță privind bateria trebuie respectate (consultați Informațiile tehnice "SMA HOME STORAGE - Safety Information" la [www.SMA-Solar.com](http://www.SMA-Solar.com)).

Toate cerințele Ordonanței privind mărfurile periculoase în transportul rutier, feroviar și pe căile navigabile interioare (GGVSEB) și Acordul privind transportul internațional rutier de mărfuri periculoase (ADR) trebuie respectate întotdeauna:

- Poate transporta modulele de baterii pe drumurile publice numai personalul școlarizat și care a participat la instrucții.
- Instrucțiile trebuie să fie documentate și efectuate în mod repetat.
- Fumatul nu este permis în vehicul în timpul cursei.
- La încărcarea și descărcarea vehiculului, fumatul nu este permis nici în vehicul și nici în imediata apropiere a vehiculului.
- Ambalajul exterior al modului de baterii nu trebuie deschis în timpul transportului.
- În timpul transportului trebuie transportat și 1 echipament pentru mărfuri periculoase conform ADR și 2 extincătoare pentru metal verificate. Extinctoarele trebuie să respecte clasa de incendiu D (capacitate minimă 2 kg).



## 6 Declarație de conformitate UE

în sensul directivelor UE



- Compatibilitate electromagnetă 2014/30/UE (29.03.2014 L 96/79-106) (CEM)
- Joasă tensiune 2014/35/UE (29.03.2014 L 96/357-374) (DJT)
- Restricții de utilizare a anumitor substanțe periculoase 2011/65/EU (08.06.2011 L 174/88) și 2015/863/EU (31.03.2015 L 137/10) (RoHS)

Prin prezenta SMA Solar Technology AG declară că produsele descrise în prezentul document sunt în concordanță cu standardele fundamentale și cu celelalte prevederi relevante ale directivelor menționate mai sus. Informații suplimentare despre cum puteți găsi declarația de conformitate completă sunt disponibile la <https://www.sma.de/en/ce-ukca>.

## 7 Declarație de conformitate UE

corespunzător regulamentelor din Anglia, Țara Galilor și Scoția



- Electromagnetic Compatibility Regulations 2016 (SI 2016/1091)
- Electrical Equipment (Safety) Regulations 2016 (SI 2016/1101)
- The Restriction of the Use of Certain Hazardous Substances in Electrical and Electronic Equipment Regulations 2012 (SI 2012/3032)

Prin prezenta SMA Solar Technology AG declară că produsele descrise în prezentul document sunt în concordanță cu standardele fundamentale și cu celelalte prevederi relevante ale regulamentelor menționate mai sus. Informații suplimentare despre cum puteți găsi declarația de conformitate completă sunt disponibile la <https://www.sma.de/en/ce-ukca>.

### SMA Solar UK Ltd.

Countrywide House  
23 West Bar, Banbury  
Oxfordshire, OX16 9SA  
United Kingdom

## Rättsliga bestämmelser

Informationen i dessa dokument ägs av SMA Solar Technology AG. Ingen del av det här dokumentet får mångfaldigas, sparas i ett dataspridningssystem eller överföras på något annat sätt (elektroniskt, mekaniskt genom fotokopia eller registrering) utan föregående skriftligt godkännande av SMA Solar Technology AG. Kopiering inom företaget, avsedd för utvärdering av produkten eller fackmässig användning, är tillåten och kräver inget tillstånd.

SMA Solar Technology AG ger inga löften eller garantier, uttryckligen eller underförstått, gällande någon som helst dokumentation eller den programvara eller de tillbehör som beskrivs i den. Hit hör bland annat (utan att begränsas till detta) implicit garanterande av säljbarhet eller lämplighet för ett specifikt syfte. Vi motsäger oss härmed uttryckligen alla löften och garantier gällande detta. SMA Solar Technology AG och dess återförsäljare ansvarar under inga omständigheter för eventuella direkta eller indirekta, oväntade skador eller följdförluster.

Ovan angivna uteslutande av implicita garantier kan inte tillämpas i alla fall.

Med reservation för ändringar av specifikationer. Alla ansträngningar har gjorts att ta fram det här dokumentet med största noggrannhet och hålla det uppdaterat. Vi vill dock uppmärksamma läsarna uttryckligen att SMA Solar Technology AG förbehåller sig rätten, att utan föregående meddelande eller enligt hithörande bestämmelser i det aktuella leveransavtalet, göra ändringar av dessa specifikationer, vilka vi anser vara rimliga gällande produktförbättringar och erfarenheter från användning. SMA Solar Technology AG ansvarar inte för eventuella indirekta, oväntade eller följdförluster eller skador, vilka har uppstått genom att förlita sig på det föreliggande materialet, bland annat genom att utelämna information, stavfel, räknefel eller fel i strukturen i det aktuella dokumentet.

### SMA:s garanti

Aktuella garantivillkor kan laddas ned från internet på [www.SMA-Solar.com](http://www.SMA-Solar.com).

### Varumärken

Alla varumärken erkännes, även om de inte särskilt kännetecknas. Frånvaro av kännetecken innebär inte att en vara är fri eller ett märke är fritt.

### SMA Solar Technology AG

Sonnenallee 1

34266 Niestetal

Tyskland

Tel. +49 561 9522-0

Fax +49 561 9522-100

[www.SMA.de](http://www.SMA.de)

E-post: [info@SMA.de](mailto:info@SMA.de)

Dokumentrevision: 2024-02-15

Copyright © 2023 SMA Solar Technology AG. Alla rättigheter förbehålls.

# 1 Information om detta dokument

## 1.1 Giltighetsområde

Detta dokument gäller för:

- HS-BM-3.28-10 (SMA Home Storage 3.2)

## 1.2 Målgrupp

De uppgifter som beskrivs i detta dokument får endast utföras av specialister. Specialister behöver ha följande kvalifikationer:

- Kunskap om en växelriktares funktion och arbetssätt
- Kunskap om funktionssätt och användning av batterier
- Skolning i hantering av faror och risker vid installation, reparation och manövrering av elektriska apparater, batterier och anläggningar
- Utbildning för installation och idrifttagning av elektriska apparater och anläggningar
- Kunskap om gällande lager, förordningar, standarder och direktiv
- Kunskap om och beaktande av detta dokument med alla säkerhetsanvisningar

## 1.3 Dokumentets innehåll och struktur

Det här dokumentet innehåller säkerhetsrelevant information samt en grafisk anvisning för installation och idrifttagning (se sida 141). Beakta all information och utför alla arbeten i den ordning som anges grafiskt i det här dokumentet.

Den aktuella versionen av det här dokumentet, samt utförliga anvisningar för installation, idrifttagning, konfiguration och urdrifttagning finns i PDF-filen på [www.SMA-Solar.com](http://www.SMA-Solar.com).

Figurer i detta dokument är reducerade till de mest centrala delarna och kan avvika från den konkreta produkten.

## 1.4 Varningssteg

Följande varningssteg kan förekomma vid hanteringen av produkten.

### FARA

Markerar en varning som leder till dödsfall eller allvarliga personskador om den inte följs.

### VARNING

Markerar en varning som kan leda till dödsfall eller allvarliga personskador om den inte följs.



### FÖRSIKTIGHET

Markerar en varning som kan leda till lindriga eller medelsvåra personskador om den inte följs.

### OBSERVERA

Markerar en varning som kan leda till materiella skador om den inte följs.

## 1.5 Symboler i dokumentet

Symbol	Förklaring
	Information som är av vikt för ett visst tema eller ändamål, men som inte är säkerhetsrelevant
	Kapitel, i vilka installationen och idrifttagningen visas grafiskt

## 2 Säkerhet

### 2.1 Ändamålsenlig användning

SMA Home Storage är ett system av en eller flera batterimoduler och kan användas i SMA Home Storage Solution för hemmaanvändningar, t.ex. för optimering av självförbrukningen. Kommunikationsgränssnittet för den använda växelriktaren måste vara kompatibelt med produkten. Det totala spänningsintervallet måste ligga helt inom det tillåtna inspänningsintervallet för växelriktaren. Den maximalt tillåtna DC-inspänningen för likström för produkten får inte överskridas. Inga ytterligare förbrukare eller komponenter får planeras in i DC-anslutningen mellan batteri och växelriktare.

Produkten kan användas inomhus och utomhus.

Produkten får enbart användas som stationär utrustning.

Det tillåtna driftområdet och installationskraven för alla komponenter måste alltid efterföljas.

Produkten är inte lämpad för försörjning av livsuppehållande medicinsk utrustning. Elavbrott får inte leda till personskador.

Produkten får bara användas i länder där den är tillåten eller för vilka den är godkänd av SMA Solar Technology AG och nätägaren.

Produkterna från SMA Solar Technology AG är utmärkt lämpade att användas i

- medicinska produkter, i synnerhet produkter för försörjning av livsuppehållande system och maskiner,
- luftfartyg, drift av luftfartyg, försörjning av kritiska flygplatsinfrastrukturer och flygplatssystem,
- rälsfordon, drift och försörjning av rälsfordon och deras kritiska infrastruktur.

Uppräkningen ovan är inte slutgiltig. Kontakta oss om du är osäker, om produkter från SMA Solar Technology AG är lämpade för ditt användningsfall.

Använd bara SMA-produkter enligt anvisningarna i bifogad dokumentation och enligt de lagar, bestämmelser, föreskrifter och standarder som gäller på platsen. Annan användning kan leda till personskador eller materiella skador.

Ingrepp i SMA produkter, t.ex. förändringar och ombyggnader, är endast tillåtna med uttryckligt skriftligt medgivande från SMA Solar Technology AG. Icke godkända ingrepp leder till att garantin upphör att gälla samt till att typgodkännandet blir ogiltigt. SMA Solar Technology AG tar inget ansvar för skador som uppstår till följd av sådana ingrepp.

All annan användning av produkten än den som beskrivs som ändamålsenlig användning är inte tillåten.

Den bifogade dokumentationen utgör en del av produkten. Dokumentationen måste läsas, följas och förvaras torrt och tillgängligt.

Detta dokument ersätter inga regionala eller nationella lagar, föreskrifter eller standarder som gäller produktens installation, elsäkerhet och användning. SMA Solar Technology AG tar inget ansvar för om dessa lagar eller bestämmelser inte följs eller ignoreras i samband med installationen av produkten.

Typskylten måste vara permanent uppsatt på produkten.

## 2.2 Viktiga säkerhetsanvisningar

Spara anvisningen.

Detta kapitel innehåller säkerhetsinformation som måste följas vid all typ av arbete.

Produkten har utvecklats och testats i enlighet med internationella säkerhetskrav. Trots noggrann konstruktion kvarstår risker, precis som hos alla elektriska och elektroniska apparater. För att undvika personskador och materiella skador och säkerställa permanent drift av produkten ska du läsa detta kapitel uppmärksam och alltid följa alla säkerhetsanvisningar.

### FARA

#### **Livsfara på grund av elektrisk stöt om du nuddar spänningsförande likströmskablar**

Likströmskablar som är anslutna till ett batteri kan vara spänningsförande. Att beröra spänningsförande likströmskablar leder till döden eller allvarliga skador på grund av elektrisk stöt.

- Frånskilj spänningen från produkten och växelriktaren innan alla arbeten och säkra mot återinkoppling.
- Berör inga friliggande spänningsförande delar eller kablar.
- Dra inte ur likströmskontakterna vid påslagen ström.
- Använd lämplig personlig skyddsutrustning vid alla arbeten på produkten.

### FARA

#### **Livsfara genom elektrisk stöt om spänningssatta höljesdelar berörs om skyddsledaren är skadad**

Om DC-anslutningens skyddsledare är skadad eller inte har anslutits korrekt kan det finnas höga spänningar på produktens hölje. Att beröra spänningsförande höljesdelar leder till döden eller till livsfarliga skador genom elektrisk stöt.

- Anslut skyddsledaren för DC-anslutningen såsom beskrivs i det här dokumentet.

 **FARA****Livsfara genom brand eller explosion på grund av icke fackmässig hantering av batterimodulerna**

Vid icke fackmässig hantering av batterimodulerna kan litiumet inuti batterimodulerna antändas. Därigenom kan det börja brinna eller en explosion bli utlöst. Följden kan bli dödsfall eller livsfarliga skador genom heta delar eller delar som flyger iväg.

- Använd aldrig defekta eller skadade batterimoduler.
- Öppna inte batterimodulerna, borra inte igenom dem eller tappa dem.
- Montera och använd inte batterimodulerna i explosionsfarliga miljöer eller områden med hög luftfuktighet.
- Utsätt inte batterimodulerna för höga temperaturer.
- Elda inte batterimodulerna.
- Förvara batterimodulerna torrt och inom det föregivna temperaturintervallet.
- Underrätta omedelbart brandkåren om det brinner från batteriet. Släckningen innebär en hög risk på grund av giftiga gaser, explosionsfara och snabb spridning.
- Använd en ABC-brandsläckare vid en brand i batteriets omgivning.

 **FARA****Livsfara genom elektrisk stöt om spänningssatta anläggningsdelar berörs vid ett jordfel**

Vid ett jordfel kan anläggningsdelar vara spänningssatta. Att beröra spänningsförande delar eller kablar leder till döden eller till livshotande skador på grund av elektrisk stöt.

- Frånskilj spänningen från produkten och växelriktaren innan alla arbeten och säkra mot återinkoppling.
- Vidrör inte delar av ramen.

 **FARA****Livsfara på grund av elektrisk stöt om du vidrör spänningsförande komponenter vid arbete med öppen produkt**

På de spänningsförande komponenter och kablarna inuti produkten är höga spänningar pålagda vid driften. Att beröra spänningsförande delar eller kablar leder till döden eller till livshotande skador på grund av elektrisk stöt.

- Öppna inte produkten.

**⚠ VARNING****Livsfara genom elektrisk stöt om ett mätinstrument förstörs genom överspänning**

Överspänning kan skada ett mätinstrument och leda till att spänning ligger an på mätinstrumentets hölje. Att beröra det spänningssatta höljet på mätinstrumentet leder till döden eller till livsfarliga skador genom elektrisk stöt.

- Använd endast mätutrustning med likströmsdriftspänning upp till minst 1500 V eller högre.

**⚠ VARNING****Livsfara genom brännskador på grund av kortslutningsströmmar vid ljusbågar**

Batteriets kortslutningsströmmar kan förorsaka värmeutveckling och ljusbågar. Värmeutveckling och ljusbågar kan leda till livsfarliga skador på grund av brännskador.

- Före alla arbeten på batteriet ska batteriet alltid kopplas spänningslös.
- Ta av klockor, ringar och andra metallobjekt innan arbeten på batteriet.
- Använd isolerade verktyg och isolerade handskar vid alla arbeten på batteriet.
- Lägg inga verktyg eller metalldelar på batteriet.

**⚠ VARNING****Livsfara på grund av brand eller explosion vid djupt urladdade batterier**

Brand kan uppstå vid felaktig återställning av djupt urladdade batterier. Det kan leda till dödsfall och allvarliga skador.

- Ta batteriet i drift senast 6 månader efter leveransen.
- Om batteriet inte kan tas i drift inom 6 månader, begär en konditionering av batterilagret hos servicen.
- Se till före idrifttagning av systemet att batteriet är inte för djupt urladdat.
- Ta inte systemet i drift om batteriet är djupt urladdat.
- Om batteriet är djupurladdat, kontakta service.

### VARNING

#### Personskaderisk genom giftiga substanser, gaser och damm

I sällsynta enstaka fall kan giftiga substanser, gaser och damm uppstå inuti produkten genom skador på elektroniska komponenter. Att beröra giftiga substanser och andas in giftiga gaser och damm kan leda till hudirritationer, frätskador, andningsbesvär och illamående.

- Skydda batteriets hölje mot att bli förstört.
- Öppna eller deformera inte batteriet.
- Elda inte batterier. Batterier kan explodera i eld.
- Genomför endast arbeten med batteriet (t.ex. felsökning, reparationsarbeten) med personlig skyddsutrustning för hanteringen av farliga ämnen (t.ex. skyddshandskar, ögon- och ansiktsskydd och andningsskydd).
- Spola av syrastänk länge och noggrant med rent vatten och uppsök därefter läkare.
- Uppsök läkare direkt om du har andats in syraångor.
- Se till att obehöriga inte har tillträde till produkten.
- Installera, använd, underhåll och avfallshandtera batteriet enligt tillverkarens uppgifter.

### VARNING

#### Skaderisk genom produktens vikt

Om batterimodulerna lyfts på fel sätt eller om de faller ned under transport eller montering kan personskador uppstå

- Transportera och lyft produkten försiktigt. Beakta vikten för produkten.
- Transportera endast produkten separat.
- Transportera och montera alltid produkten med flera personer. Antalet personer bestäms av de standarder och riktlinjer som gäller på platsen.
- Använd lämpligt transportmedel, t.ex. säckkärra. Skada då inte batterikomponenternas höljen.
- Använd lämplig personlig skyddsutrustning vid alla arbeten på produkten, minst skyddsskor med spiktrampskydd och stålhätta.

### FÖRSIKTIGHET

#### Risk för brännskador genom heta batterimoduler

Batterimodulen kan bli het vid driften. Att vidröra heta batterimoduler kan leda till brännskador.

- Vänta tills batterimodulerna har svalnat innan batterimodulerna berörs.

### FÖRSIKTIGHET

#### Risk för personskador genom vassa kanter

Batterikomponenterna har plåtdelar med vassa kanter. Att beröra plåtdelarna med vassa kanter kan leda till personskador.

- Använd skyddshandskar när batteriet monteras och demonteras.



**OBSERVERA****Skador på batterimodulerna genom fukt eller korrosiva substanser**

Fukt eller korrosiva substanser som tränger in kan skada produkten och påverka funktionen negativt.

- Doppa inte ner batterimodulerna i vätska.
- Utsätt inte battericellerna för korrosiva substanser (t.ex. ammoniak, salt).

**OBSERVERA****Skador på produkten genom rengöringsmedel**

Produkten och produktkomponenter kan skadas vid användning av rengöringsmedel.






- Alla batterikomponenter får endast rengöras med en torr trasa.

### 3 Erforderligt extra material (ingår ej i leveransomfattningen)

#### **i** Batterikommunikationskabel för anslutningen mellan SMA Home Storage och Sunny Tripower Smart Energy

För anslutningen mellan SMA Home Storage och Sunny Tripower Smart Energy måste en prefabricerad batterikommunikationskabel användas (SMA beställningsnummer: HS-COM-CBL-3-10). Denna batterikommunikationskabel har en RJ45- och en COM-kontakt.

### 4 Symboler på produkten

Symbol	Förklaring
	Varning för fara Denna symbol indikerar att produkten måste jordas ytterligare, om det lokalt fordras en ytterligare jordning eller potentialutjämning.
	Varning för elektrisk spänning Produkten arbetar med höga spänningar.
	Varning för faror genom batterier Den här symbolen hänvisar till faran vid hanteringen med batterier.
	Varning för explosionsfarliga ämnen Vid icke fackmässig hantering eller vid brand kan produkten antändas eller explodera.
	Varning för frätande ämnen Produkten innehåller frätande substanser som kan leda till allvarliga personsador vid direkt hudkontakt.

Symbol	Förklaring
	Beakta dokumentationen Beakta all dokumentation som medföljer produkten.
	Använd ögonskydd Vid alla arbeten med enheten ska ögonskydd användas.
	Ingen öppen låga Hantering med öppen låga eller antändningskällor direkt i närheten av produkten är förbjudet.
	Tillträde förbjudet för barn Barn måste hållas borta från produkten.
	Jordning Den här symbolen markerar platsen för anslutning av extra skyddsledare.
	WEEE-märkning Släng inte produkten i hushållsavfallet, utan kassera den enligt gällande regler för elektroniskt avfall.
	Produkten är lämpad för montering utomhus.
<b>IP65</b>	Kapslingsklass IP65 Produkten är skyddad mot damm och mot vattenstrålar från alla riktningar.
<b>CE</b>	CE-märkning Produkten uppfyller kraven i relevanta EU-direktiv.
<b>UK CA</b>	UKCA-märkning Produkten uppfyller bestämmelserna i tillämpliga lagar i England, Wales och Skottland.
	RoHS-märkning Produkten uppfyller kraven i relevanta EU-direktiv.
	RCM (Regulatory Compliance Mark) Produkten motsvarar kraven i relevanta australiska standarder.

## 5 Transport

Detta kapitel innehåller säkerhetsanvisningar som alltid måste följas när batteriet transporteras.

### FÖRSIKTIGHET

#### Risk för personskador på genom ej fackmässig transport

Genom ej fackmässig transport eller bristande transportsäkring kan batteriet glida eller välta. Glider eller välter batteriet kan detta leda till personskador.

- Transportera och lyft batteriet försiktigt. Beakta då batteriets vikt.
- Ställ batteriet i fordonet så att det inte kan glida.
- Säkra batteriet mot att glida och välta med t.ex. spännband.
- Använd lämplig personlig skyddsutrustning vid alla arbeten med batteriet.

Vid SMA Home Storage (HS-BM-3.28-10) rör det sig om farligt gods: UN 3480 litiumjonbatteri, klass 9 (klassificering farligt gods UN 3480, riskklass 9). Batteriets säkerhetsinformation måste beaktas (se teknisk information "SMA HOME STORAGE - Safety Information" på [www.SMA-Solar.com](http://www.SMA-Solar.com)).

Alla krav i tyska förordningen om farligt gods för väg, järnväg och inre vattenvägar (GGVSEB) och överenskommelsen om internationell transport av farligt gods på väg (ADR) måste alltid uppfyllas:

- Endast utbildad och instruerad personal får transportera batterimodulerna på allmänna vägar.
- Utbildningarna ska dokumenteras och utföras återkommande.
- Vid körningen är det inte tillåtet att röka i fordonet.
- Vid på- och avlastning av fordonet är det inte tillåtet att röka i själva fordonet och direkt i närheten av fordonet.
- Batterimodulens ytterförpackning får inte öppnas under transporten.
- Vid transporten ska 1 ADR-väska och 2 kontrollerade metallbrandsläckare finnas med. Brandsläckarna måste uppfylla brandklass D (minsta storlek 2 kg).

## 6 EU-försäkringen om överensstämmelse

enligt EU-direktiv

- Elektromagnetisk kompatibilitet 2014/30/EU (2014-03-29 L 96/79-106) (EMC)
- Lågspänning 2014/35/EU (2014-03-29 L 96/357-374) (LVD)
- Begränsning av användningen av farliga ämnen 2011/65/EU (2011-06-08 L 174/88) och 2015/863/EU (2015-03-31 L 137/10) (RoHS)



Härmed försäkras SMA Solar Technology AG, att produkterna som beskrivs i detta dokument överensstämmer med grundläggande krav och andra relevanta bestämmelser i ovannämnda direktiv. Närmare information om var den fullständiga försäkringen om överensstämmelse är tillgänglig finns på <https://www.sma.de/en/ce-ukca>.

## 7 Brittisk försäkrän om överensstämme

i enlighet med bestämmelserna i England, Wales och Skottland

- Electromagnetic Compatibility Regulations 2016 (SI 2016/1091)
- Electrical Equipment (Safety) Regulations 2016 (SI 2016/1101)
- The Restriction of the Use of Certain Hazardous Substances in Electrical and Electronic Equipment Regulations 2012 (SI 2012/3032)



SMA Solar Technology AG försäkrär härmed att de produkter som beskrivs i detta dokument uppfyller grundläggande krav och andra relevanta bestämmelser i ovannämnda förordningar. Närmare information om var den fullständiga försäkrän om överensstämme är tillgänglig finns på <https://www.sma.de/en/ce-ukca>.

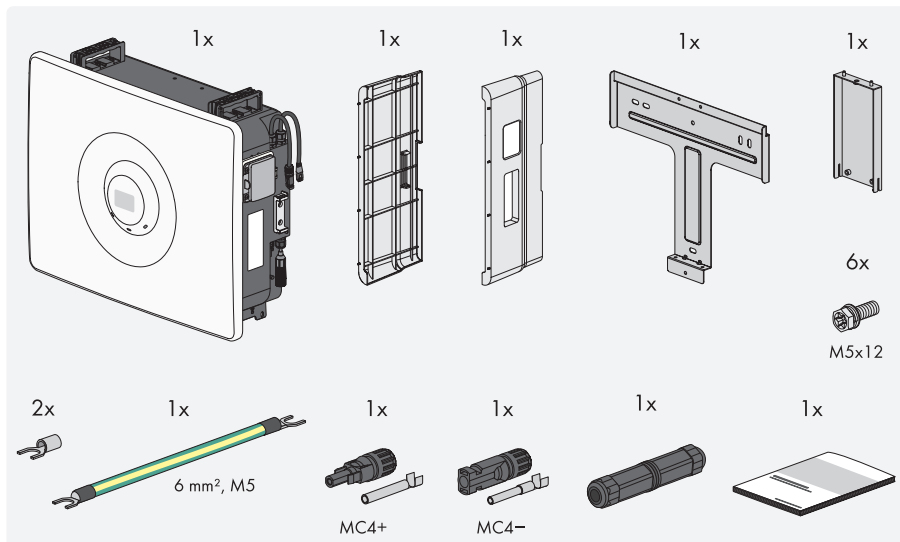
### **SMA Solar UK Ltd.**

Countrywide House  
23 West Bar, Banbury  
Oxfordshire, OX16 9SA  
United Kingdom

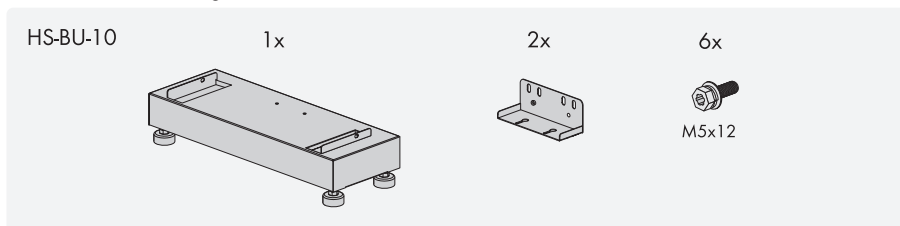
# Instructions



**en** Scope of delivery of battery modules **de** Lieferumfang Batteriemodul **da** Leveringsomfang for batterimodul **es** Contenido de la entrega del módulo de batería **fr** Contenu de la livraison module de batterie **hu** Akkumulátormodul szállítási terjedelme **it** Contenuto della fornitura modulo batteria **nl** Leveringsomvang batterijmodule **pl** Zakres dostawy modułu akumulatora **pt** Volume de fornecimento do módulo de bateria **ro** Setul de livrare al modulului de baterii **sv** Leveransomfattning av batterimodul

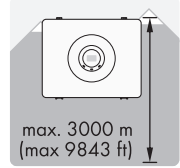
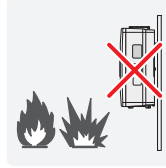
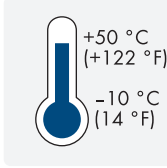
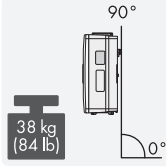
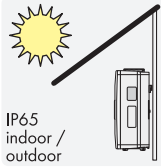


**en** Scope of delivery of base **de** Lieferumfang Sockel **da** Leveringsomfang for sokkel **es** Contenido de la entrega con pedestal **fr** Contenu de la livraison socle **hu** Alízat szállítási terjedelme **it** Contenuto della fornitura zoccolo **nl** Leveringsomvang sokkel **pl** Zakres dostawy podstawy **pt** Volume de fornecimento da base **ro** Setul de livrare al soclului **sv** Leveransomfattning av sockel

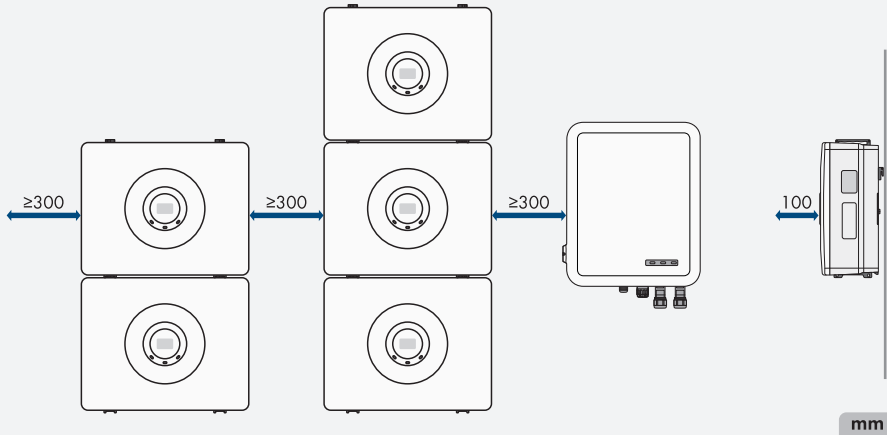




**en** Mounting location **de** Montageort **da** Monteringssted **es** Lugar de montaje **fr** Lieu de montage **hu** Felszerelés helye **it** Luogo di montaggio **nl** Montagelocatie **pl** Miejsce montażu **pt** Local de montagem **ro** Locul de montaj **sv** Monteringsplats



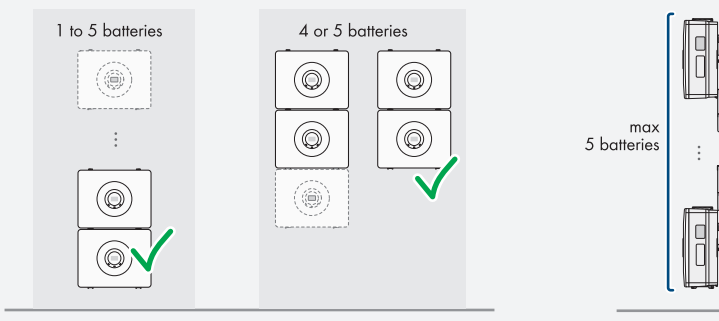
**en** Minimum clearances **de** Mindestabstände **da** Minimumsafstande **es** Distancias mínimas **fr** Distances minimales **hu** Minimális távolságok **it** Distanze minime **nl** Minimale afstanden **pl** Minimalne odstępę **pt** Distâncias mínimas **ro** Distanțe minime **sv** Minsta avstånd



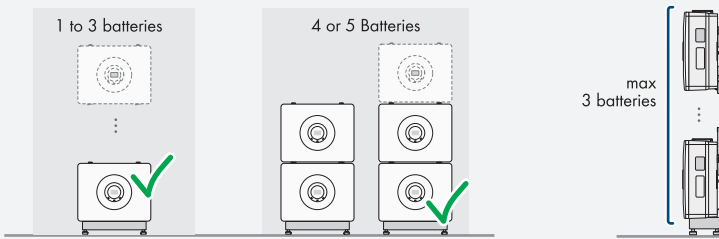
**en** Mounting options **de** Aufstellvarianten **da** Opstillingsvarianter **es** Variantes de colocación **fr** Variantes d'installation **hu** Felállítási változatok **it** Varianti di installazione **nl** Opstelvarianten **pl** Warianty rozstawienia **pt** Variantes de instalação **ro** Variante de amplasare **sv** Uppställningsvarianter



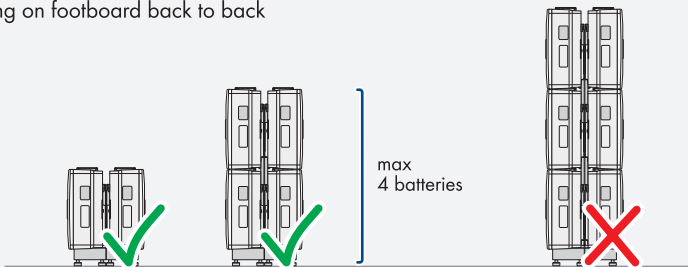
### Wall mounting



### Standing on footboard back to wall

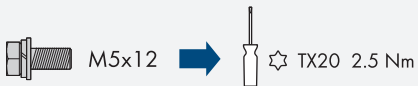
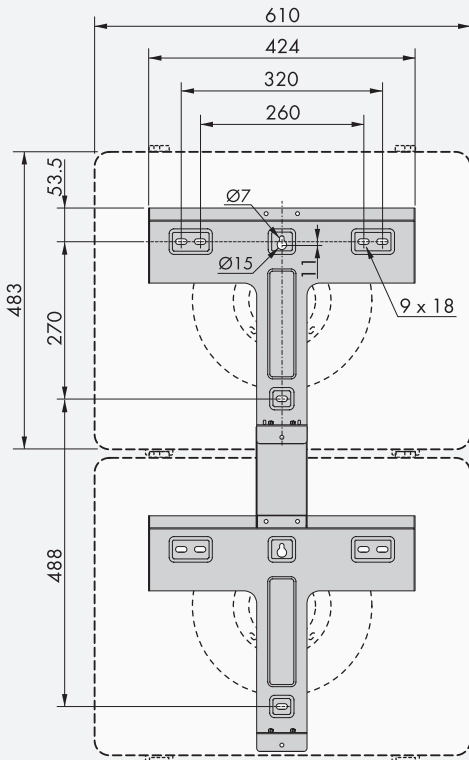


### Standing on footboard back to back



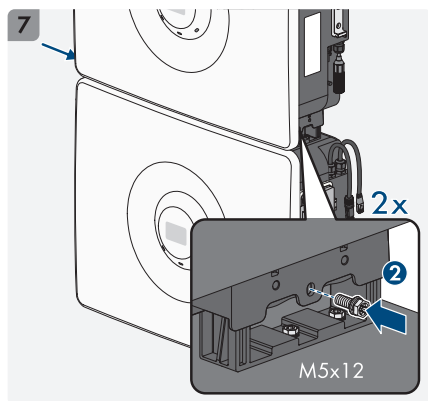
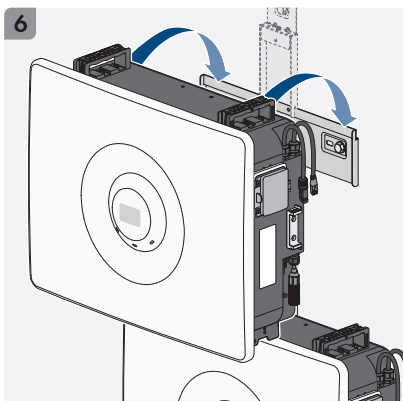
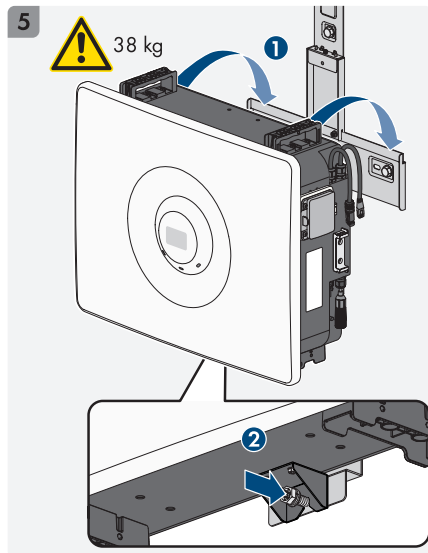
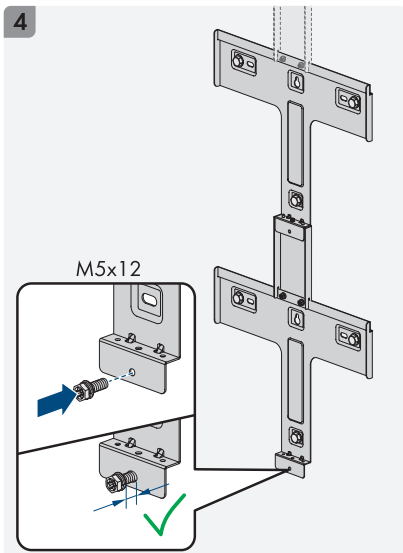
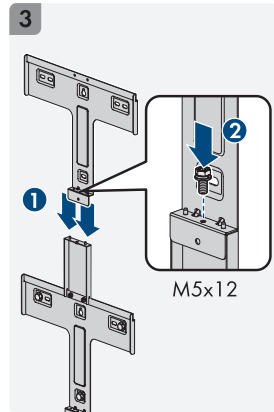
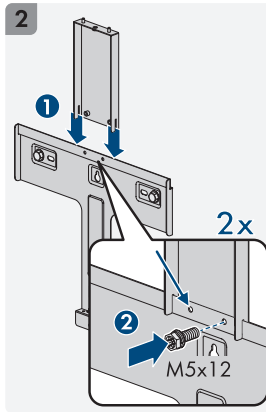
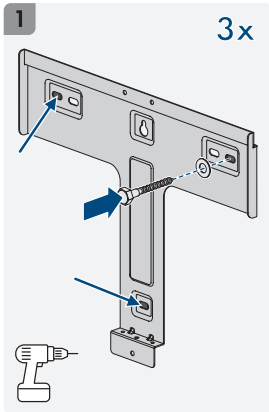


en Wall Mounting de Wandmontage da Vægmontering es Montaje mural fr Montage mural hu Fali szerelés it Montaggio a parete nl Wandmontage pl Montaż ścienny pt Montagem na parede ro Montare pe perete sv Vägmontering:



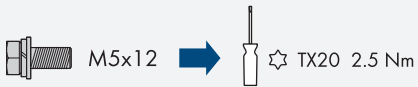
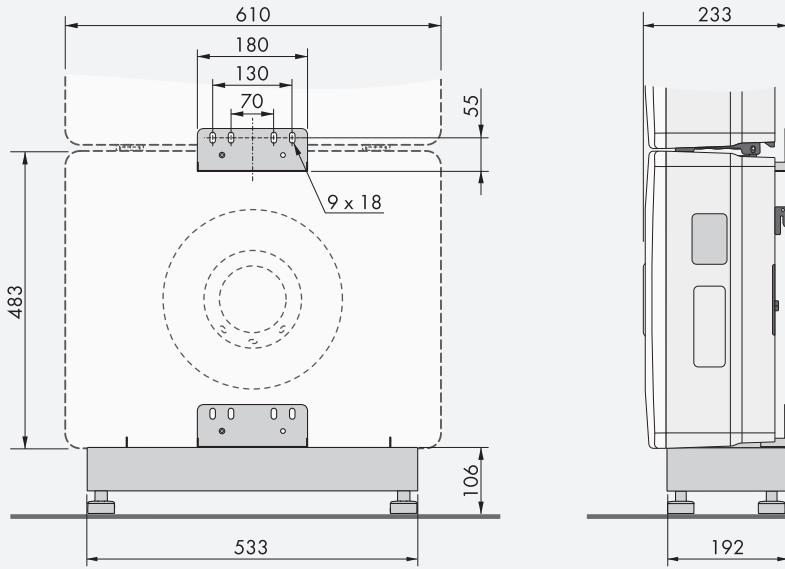
mm



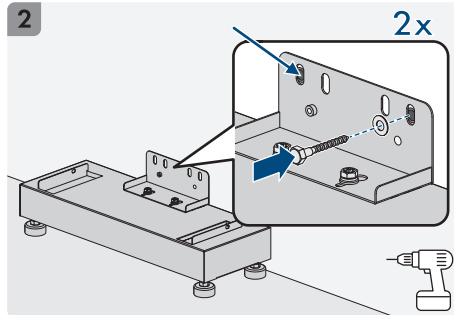
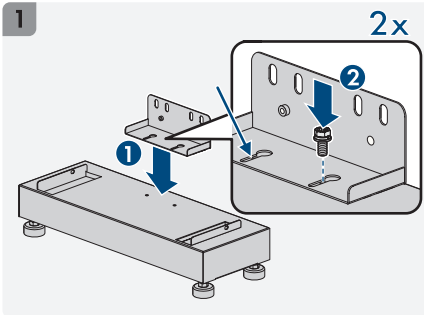


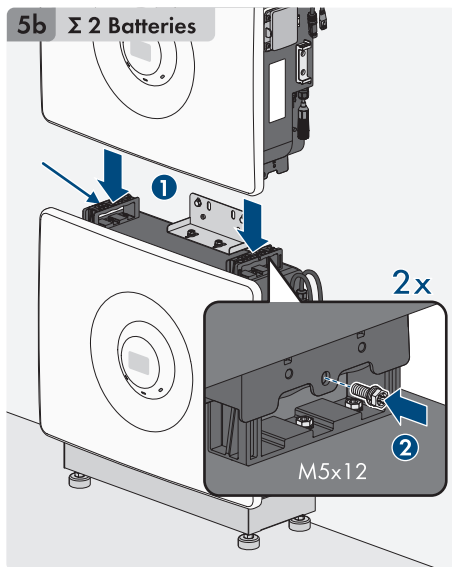
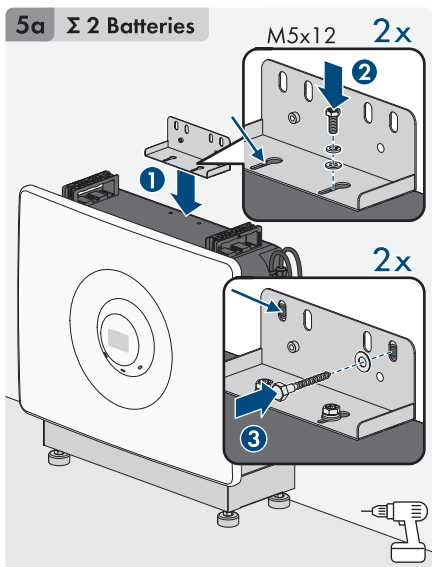
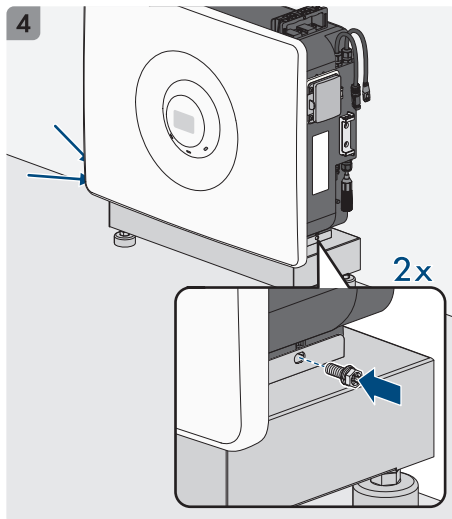
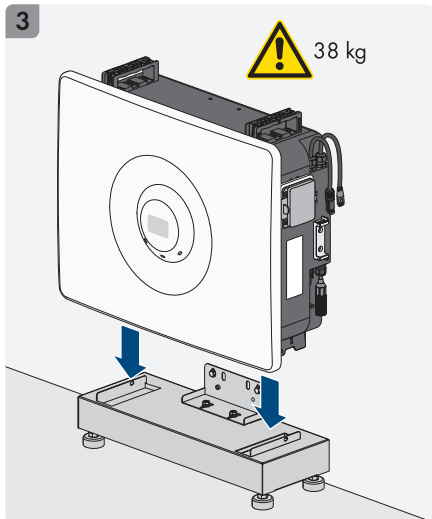


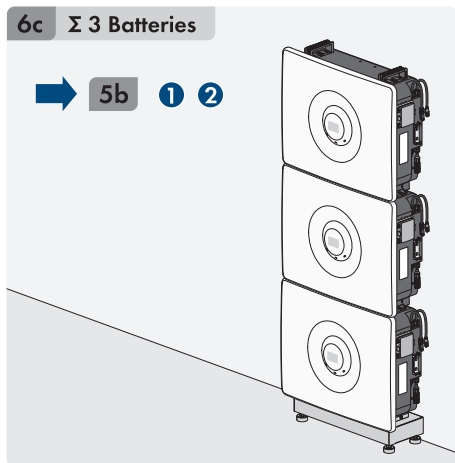
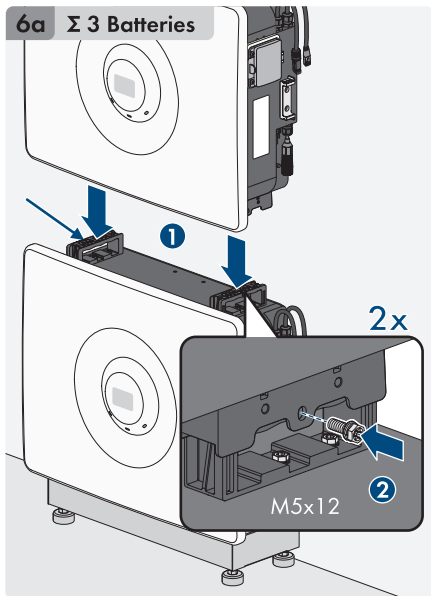
en Mounting with base de Montage mit Sockel da Montering med sokkel es Montaje con pedestal fr Montage avec socle hu Szerelés aljzattal it Montaggio con zoccolo nl Montage met sokkel pl Montaż na podstawie pt Montagem com base ro Montaj cu soclu sv Montering med sockel



mm

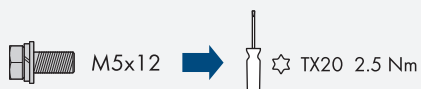
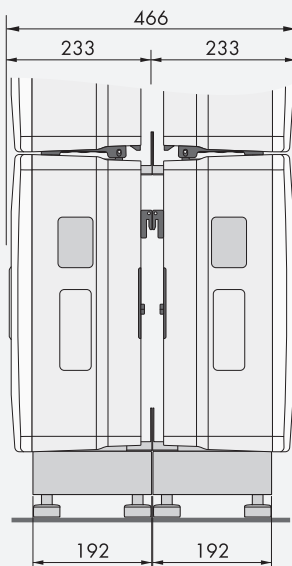
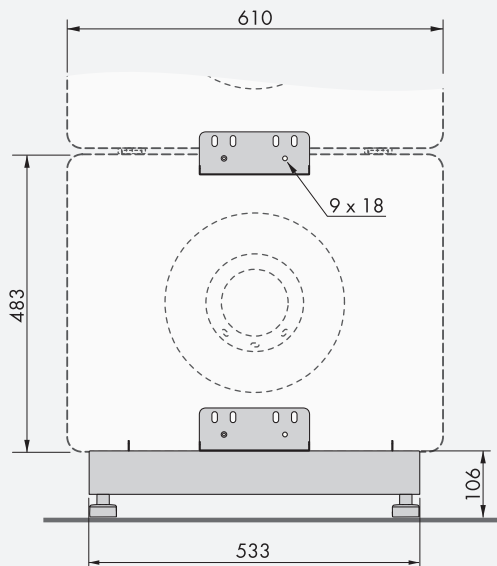




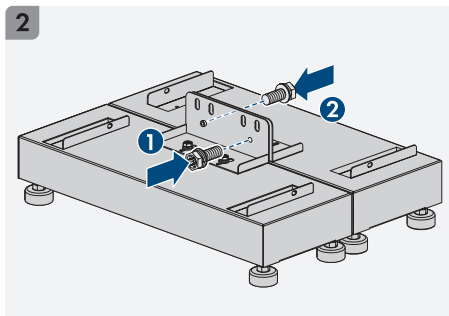
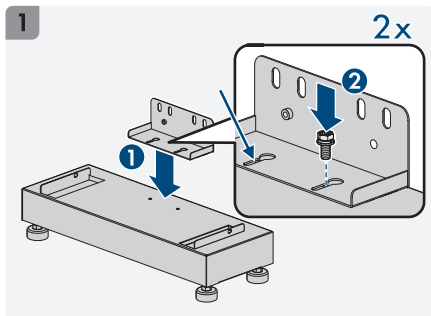




**en** Back-to-back mounting **de** Rücken-an-Rücken-Montage **da** Ryg-til-ryg-montering  
**es** Montaje "espalda con espalda" **fr** Montage dos à dos **hu** Hátoldali szerelés  
**it** Montaggio schiena contro schiena **nl** Rug-aan-rug-montage **pl** Montażu z ustawieniem  
modułów tylnymi ściankami do siebie **pt** Montagem traseira com traseira **ro** Montaj spate în  
spate **sv** Montering rygg mot rygg



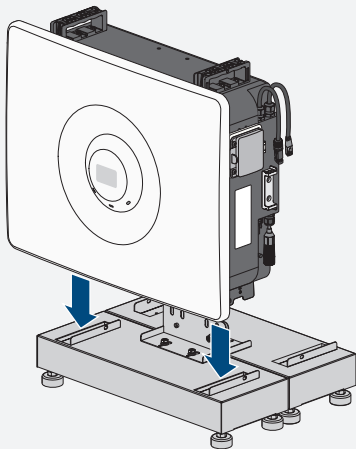
mm



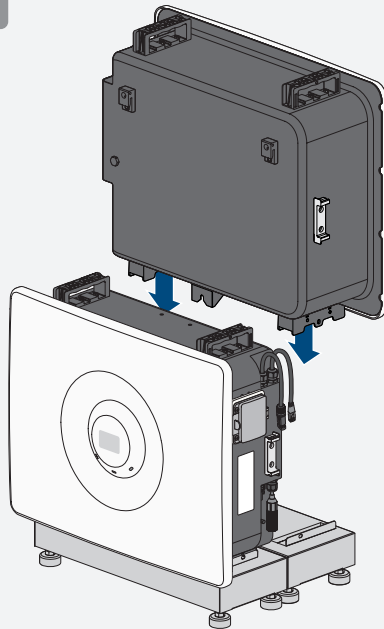


3

 38 kg

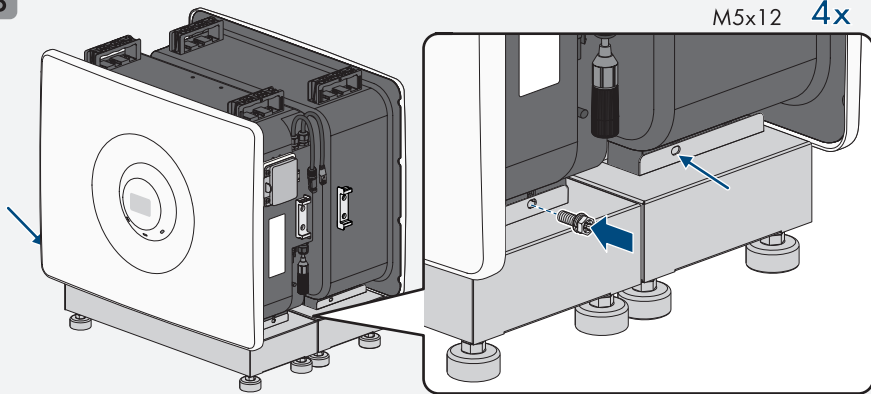


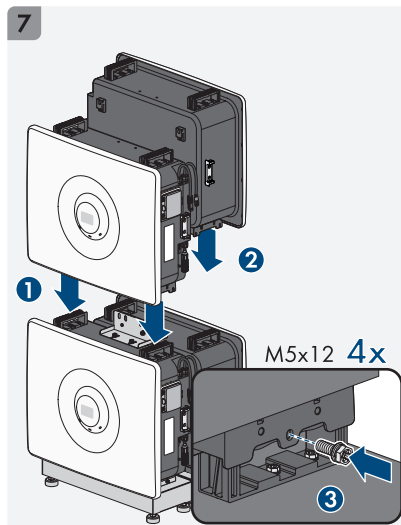
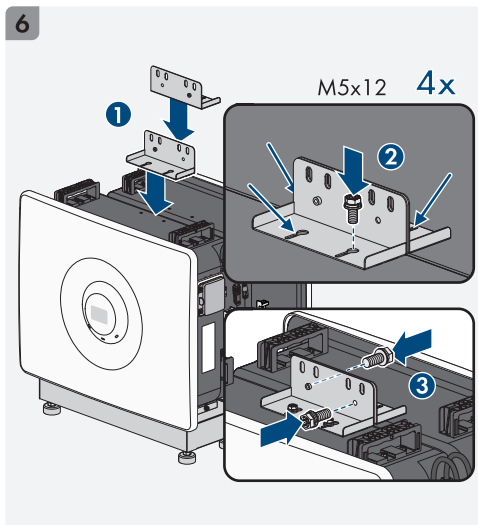
4



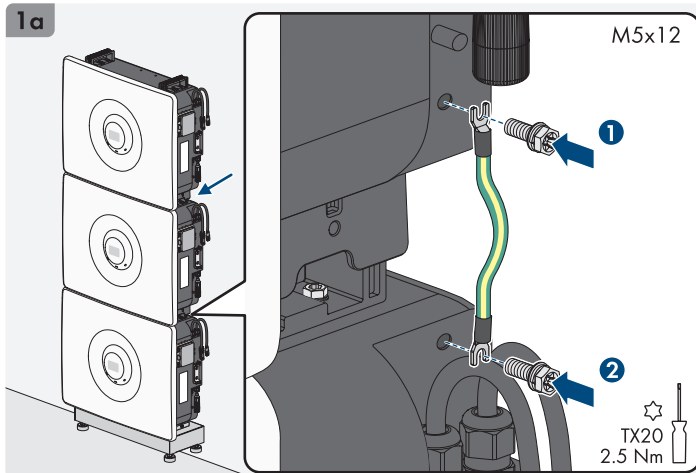
5

M5x12 4x



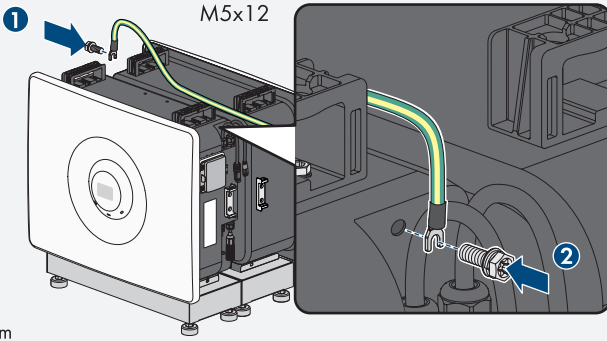


**en** Grounding the Battery **de** Batterie erden **da** Jording af batteri **es** Puesta a tierra de la batería **fr** Mise à la terre de la batterie **hu** Akkumulátor testelése **it** Messa a terra della batteria **nl** Batterij aarden **pl** Uziemienie akumulatora **pt** Ligar a bateria à terra **ro** Împământarea bateriei **sv** Jordning av batteri

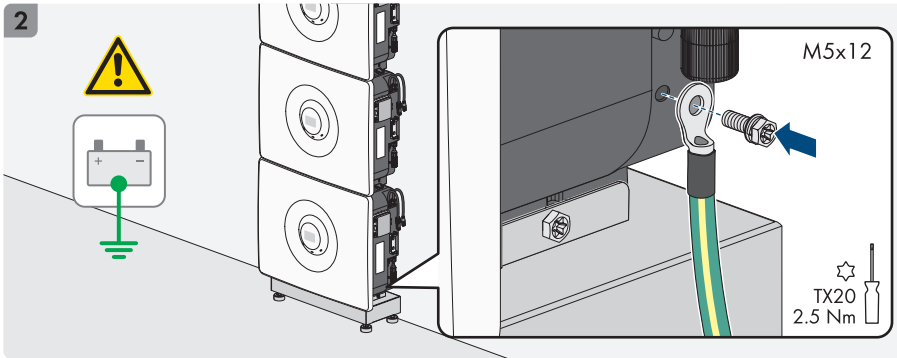




1b



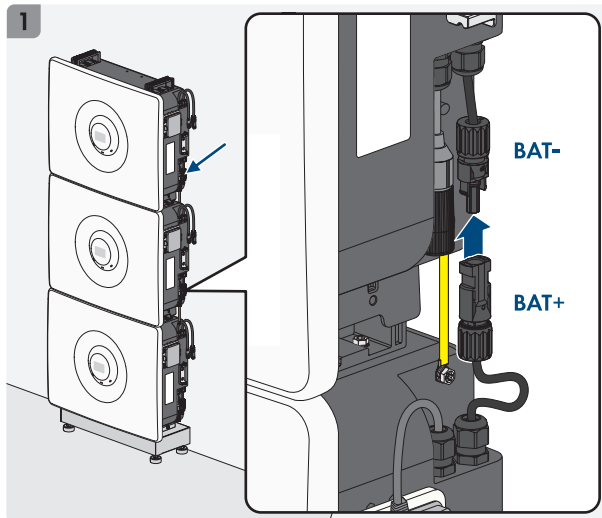
2







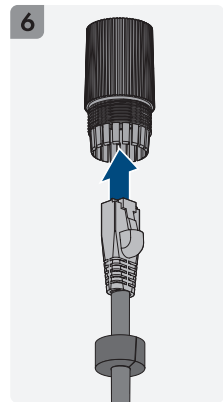
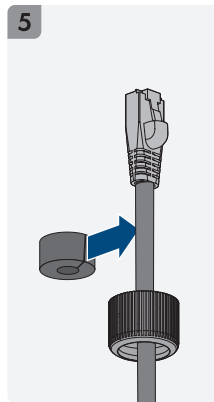
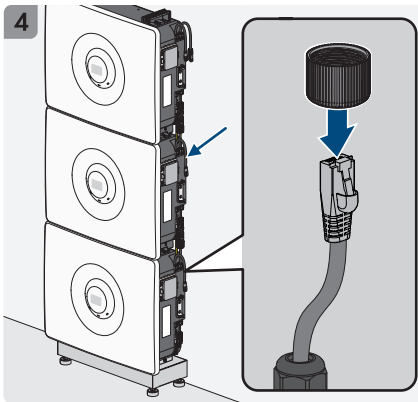
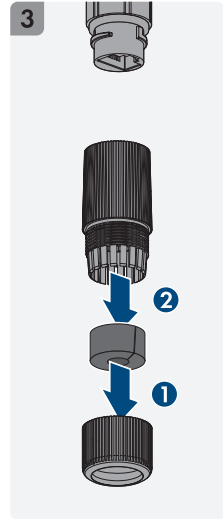
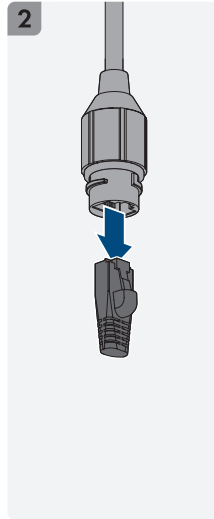
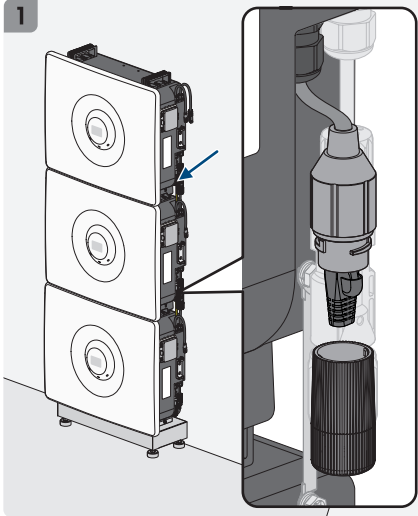
**en** Connecting DC Cables to the Battery **de** DC-Kabel an der Batterie anschließen  
**da** Tilslutning af DC-kabel til batteriet **es** Conecte el cable de CC a la batería **fr** Raccorder les câbles DC à la batterie **hu** DC kábel csatlakoztatása az akkumulátorhoz **it** Collegamento del cavo CC alla batteria **nl** DC-kabel op de batterij aansluiten **pl** Podłączenie kabli DC do akumulatora **pt** Ligar o cabo CC à bateria **ro** Conectarea cablului DC la baterie  
**sv** Anslutning av likströmskablen till batteriet

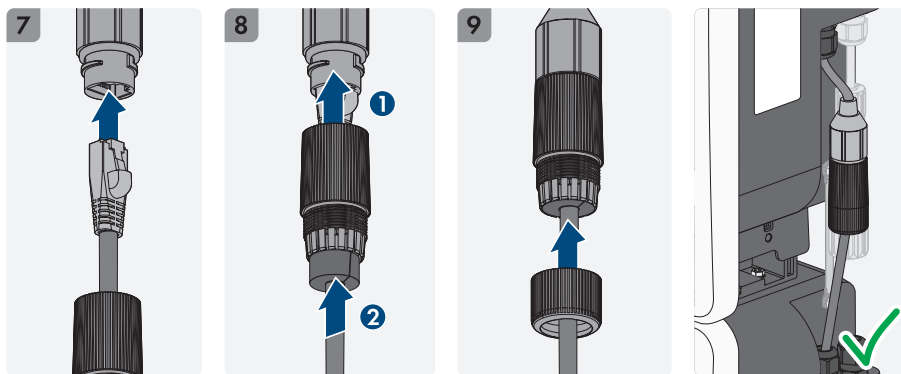


DC	HS-BM-3.28-10
Nominal voltage	96 V
$V_{DC, max}$	108 V
$V_{DC, min}$	90 V
$V_{DC, range}$	90 V to 108 V ( 1 battery modules) 180 V to 216 V ( 2 battery modules) 270 V to 324 V ( 3 battery modules) 360 V to 432 V ( 4 battery modules) 450 V to 540 V ( 5 battery modules)
$I_{DC, max usable}$	36 A

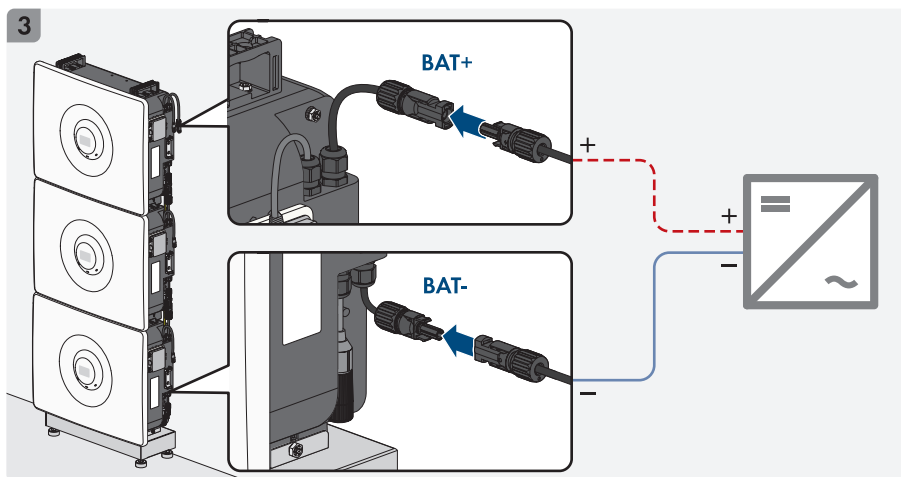
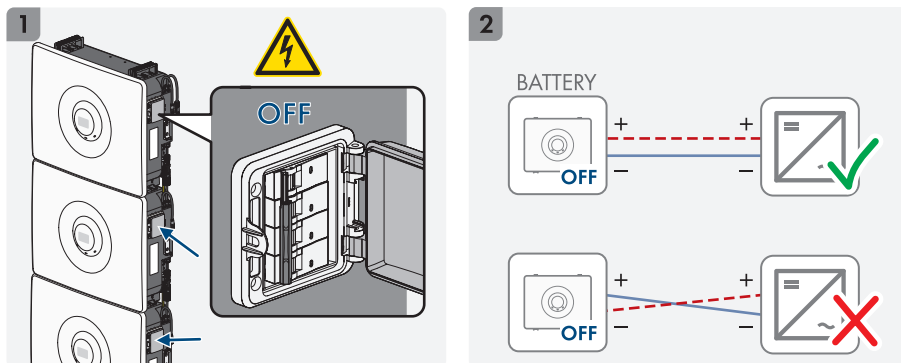


**en** Connecting the Data Cable of the Battery **de** Batteriekommunikationskabel anschließen  
**da** Tilslutning af batterikommunikationskabel **es** Conexión del cable de comunicación de la batería  
**fr** Raccordement du câble de communication avec la batterie **hu** Az akkumulátor-adatkábel csatlakoztatása  
**it** Collegamento del cavo di comunicazione della batteria  
**nl** Batterijkommunikatiekabel aansluiten **pl** Podłączenie kabla transmisji danych akumulatora  
**pt** Ligar o cabo de comunicação da bateria **ro** Conectarea cablului de comunicare al bateriei  
**sv** Ansluta batterikommunikationskabel



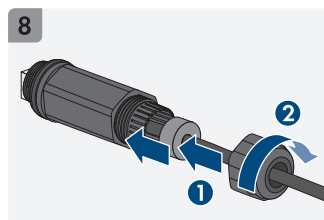
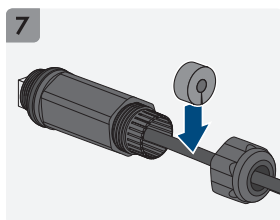
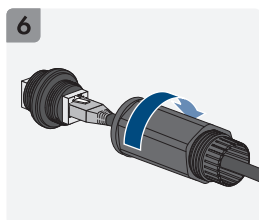
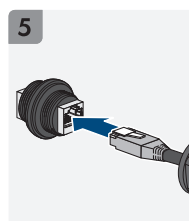
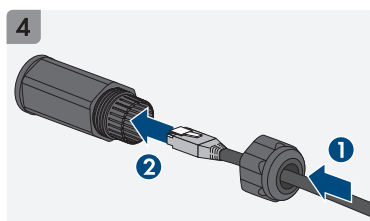
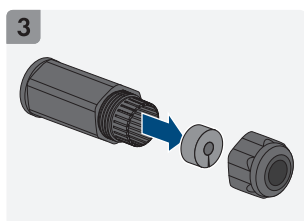
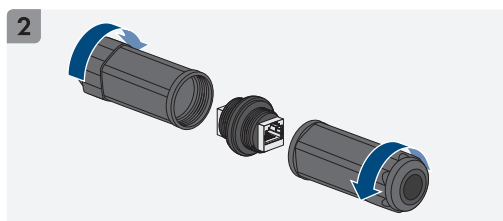
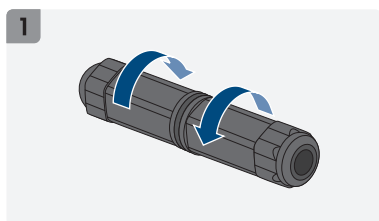
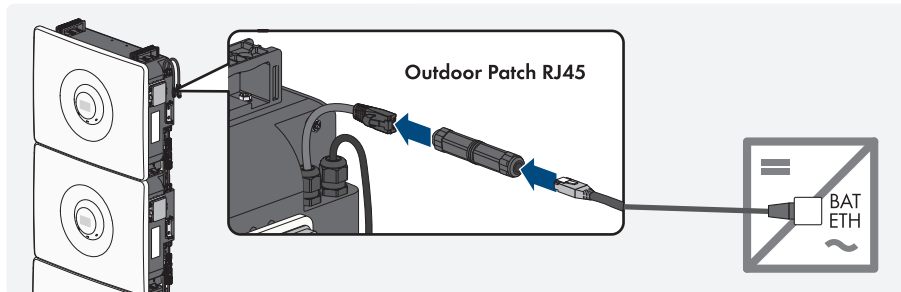


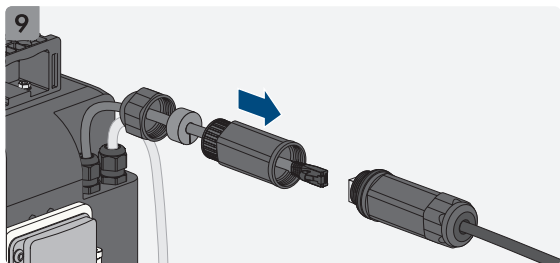
**en** Connecting the DC cables to the inverter **de** DC-Kabel zum Wechselrichter anschließen  
**da** Tilslutning af DC-kabel til omformeren **es** Conexión de los cables de CC hacia el inversor  
**fr** Raccordement des câbles DC vers l'onduleur **hu** DC kábel csatlakoztatása az inverterhez  
**it** Collegamento del cavo CC all'inverter **nl** DC-kabel naar omvormer aansluiten  
**pl** Podłączenie kabla DC do falownika **pt** Conectar os cabos CC ao inversor **ro** Conectarea  
 cablului DC la inverter **sv** Anslutning av likströmskabeln till växelriktaren



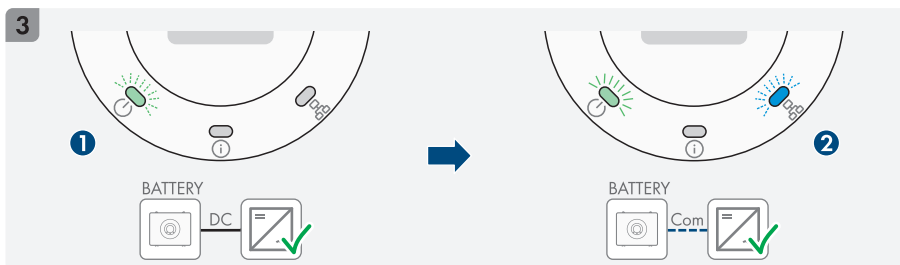
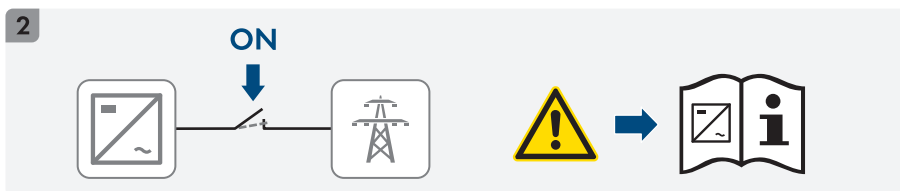
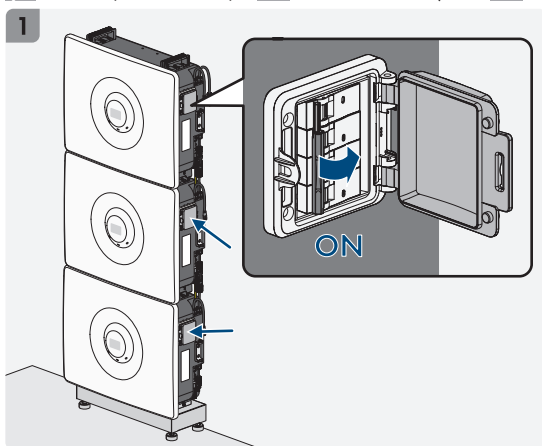


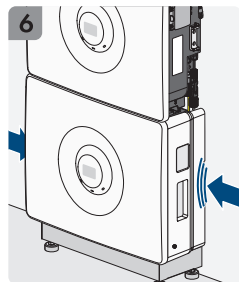
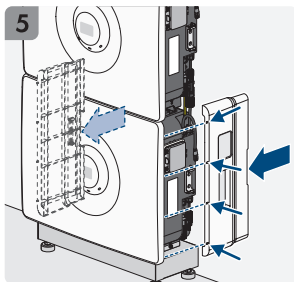
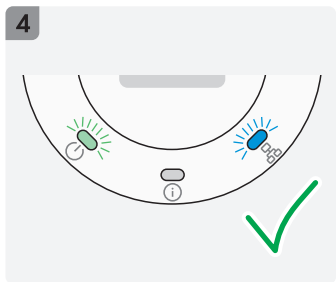
**en** Connecting the battery communication system to the inverter **de** Batteriekommunikation zum Wechselrichter anschließen **da** Tilslutning af batterikommunikation til omformer **es** Conexión de la comunicación de la batería con el inversor **fr** Raccordement de la communication de batterie avec l'onduleur **hu** Akkumulátor-kommunikáció csatlakoztatása az inverterhez **it** Collegamento della comunicazione della batteria all'inverter **nl** Batterijcommunicatie naar omvormer aansluiten **pl** Podłączenie komunikacji akumulatorów do falownika **pt** Conectar a comunicação da bateria ao inversor **ro** Conectare comunicării bateriei la inverter **sv** Anslutning av batterikommunikation till växelriktaren



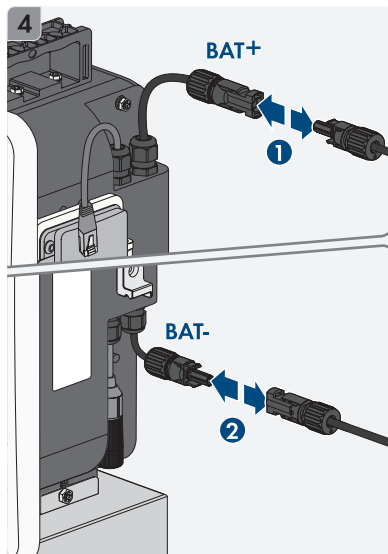
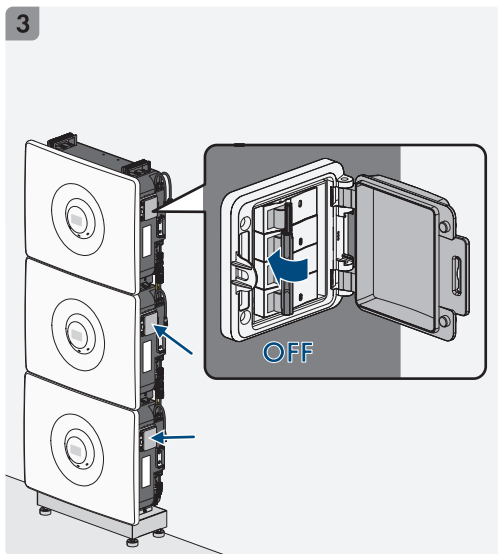
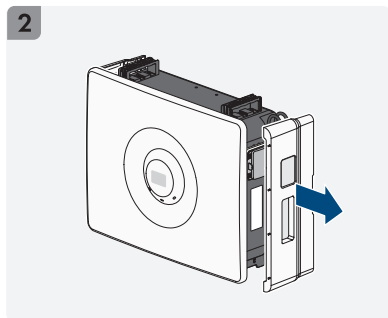
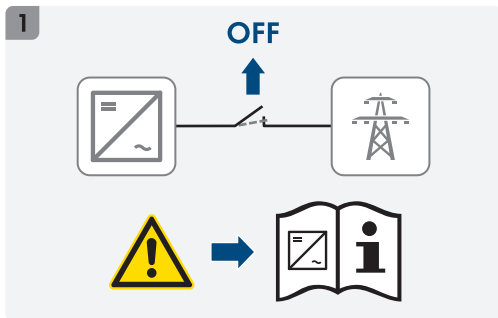


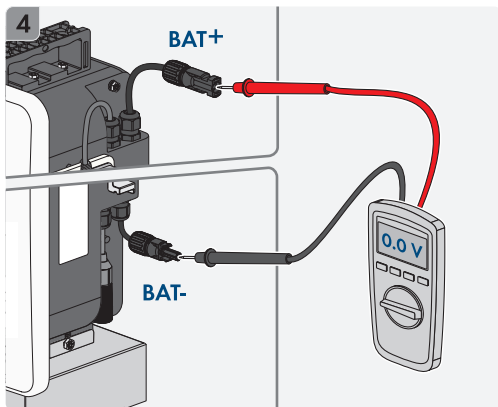
**en** Commissioning **de** Inbetriebnahme **da** Idriftsættelse **es** Puesta en marcha **fr** Mise en service **hu** Üzembe helyezés **it** Messa in servizio **nl** Inbedrijfstelling **pl** Uruchomienie **pt** Colocação em serviço **ro** Punerea în funcțiune **sv** Idrifttagning





en Disconnecting from voltage sources de Freischalten da Åbning es Desconexión de la  
tensión fr Mettez hors tension hu Feszültségmentesítés it Disinserire nl Vrijschakelen  
pl Odłączenie pt Seccionar completamente ro Deconectarea sv Frikoppling





en System data de System-Daten da System-data es Datos del sistema fr Données du système hu Rendszeradatok it Dati del sistema nl Systeemgegevens pl Dane techniczne systemu pt Dados do sistema ro Date despre sistem sv Systemdata

Protection class in accordance with IEC 61140	1
Maximum permissible value for relative humidity, condensing	100 %
Extended humidity range according to IEC 60721-3-4	0 % till 100 %
Pollution degree inside the enclosure	2
Pollution degree outside the enclosure	3

en Contact de Kontakt da Kontakt es Contacto fr Contact hu Kapcsolat it Contatto nl Contact pl Kontakt pt Contactos ro Contact sv Kontakt



<https://go.sma.de/service>



[www.SMA-Solar.com](http://www.SMA-Solar.com)

